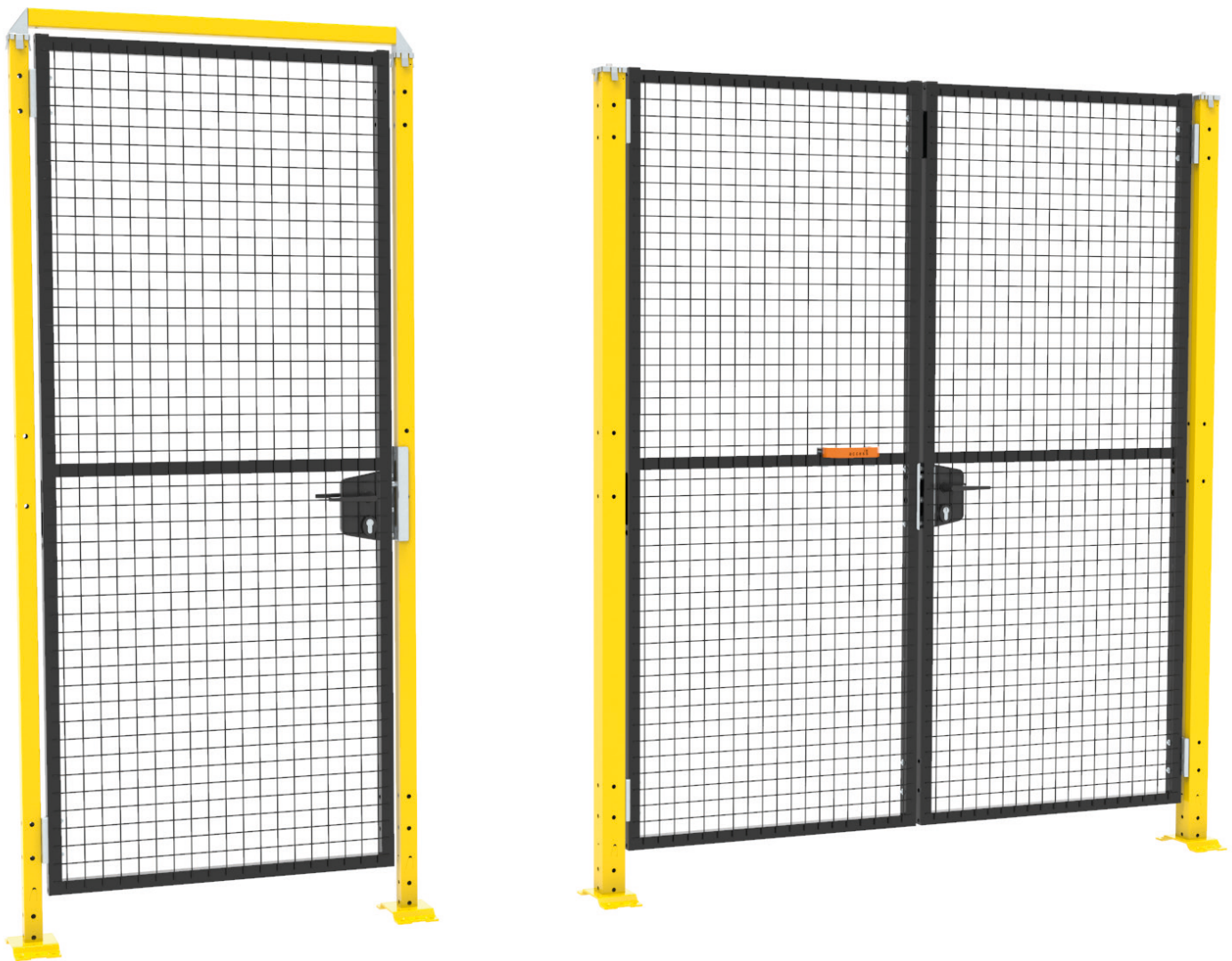


# SINGLE AND DOUBLE HINGED DOOR

ISTRUZIONI DI MONTAGGIO  
ASSEMBLY INSTRUCTION  
INSTRUCTIONS DE MONTAGE

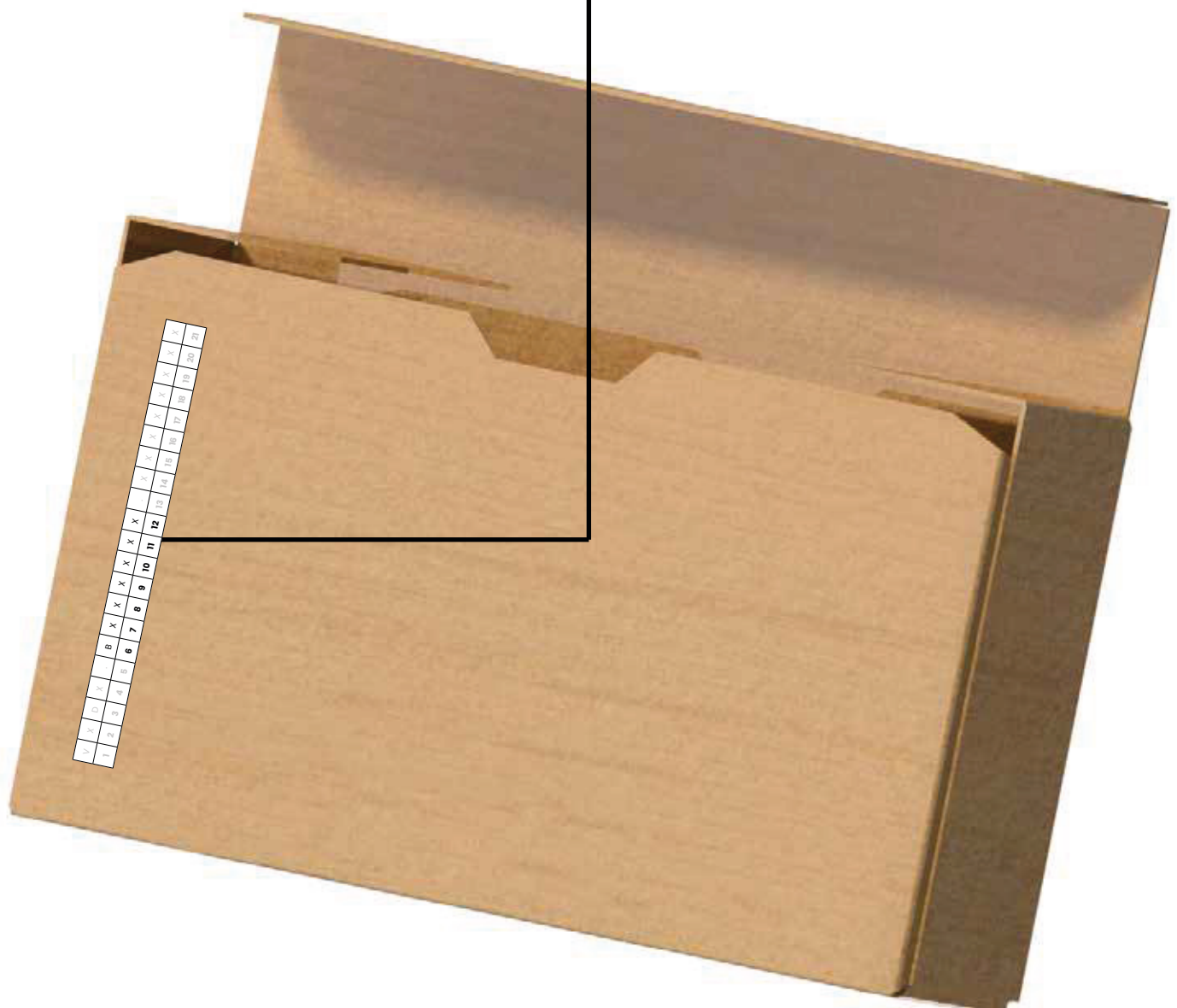
MENTAGEANLEITUNG  
INSTRUCCIONES DE MONTAJE  
NÀVOD NA MONTÀZ

MONTER INGSVEJ LEDNING  
NAVODILA ZA VGRADJO  
SISTEM INSTRUÇÕES DE MONTAGE



# BOX AND LABEL CODE

V	X	D	X	.	B	X	X	X	X	X	X	.	X	X	X	X	X	X	X	X
1	2	3	4	5	6	7	8	9	10	11	12	13	14	15	16	17	18	19	20	21



# TOOLS



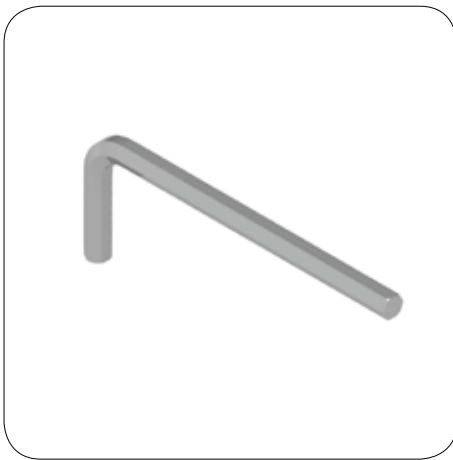
13MM



7MM



5MM

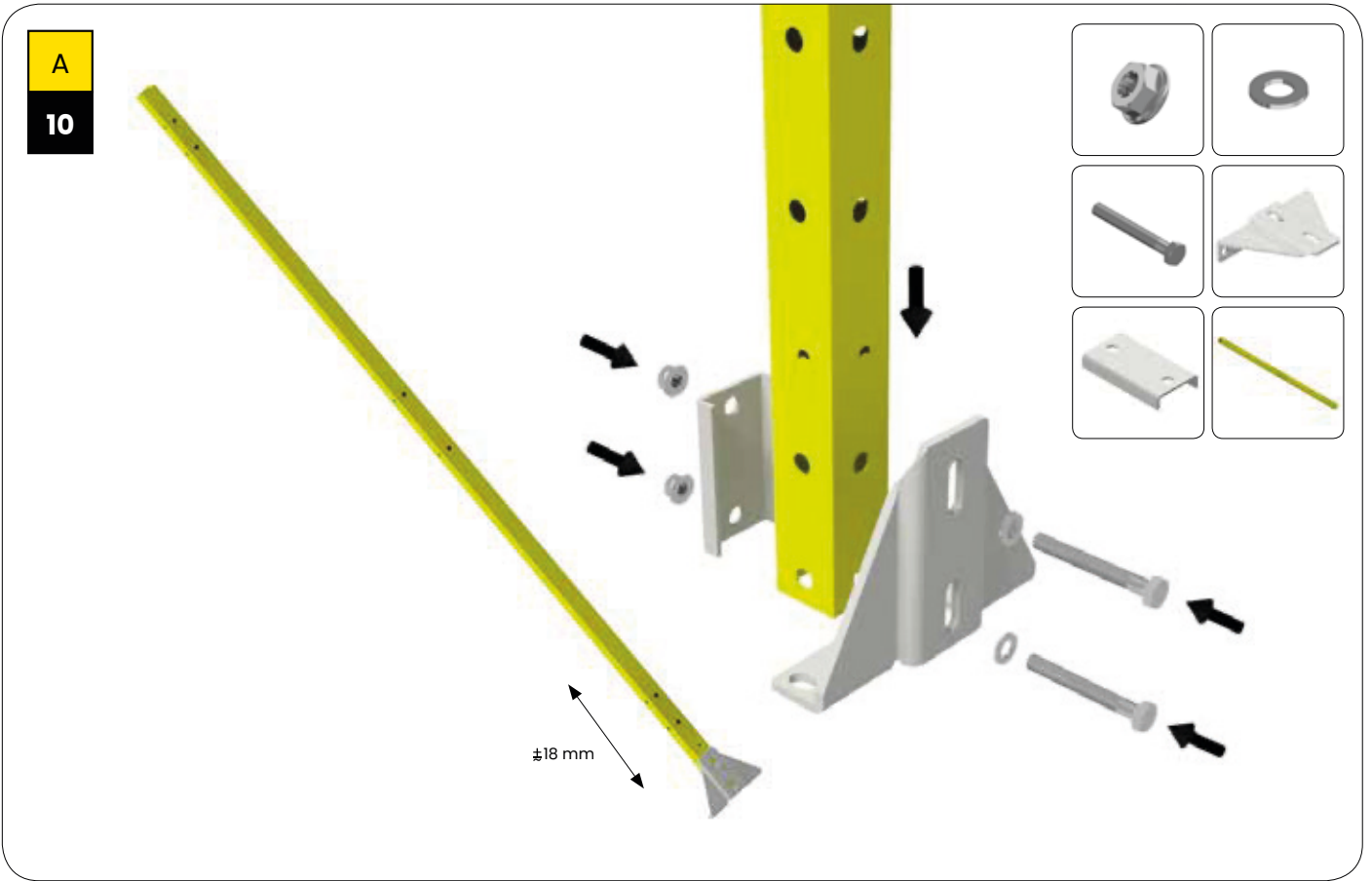


2,5 MM



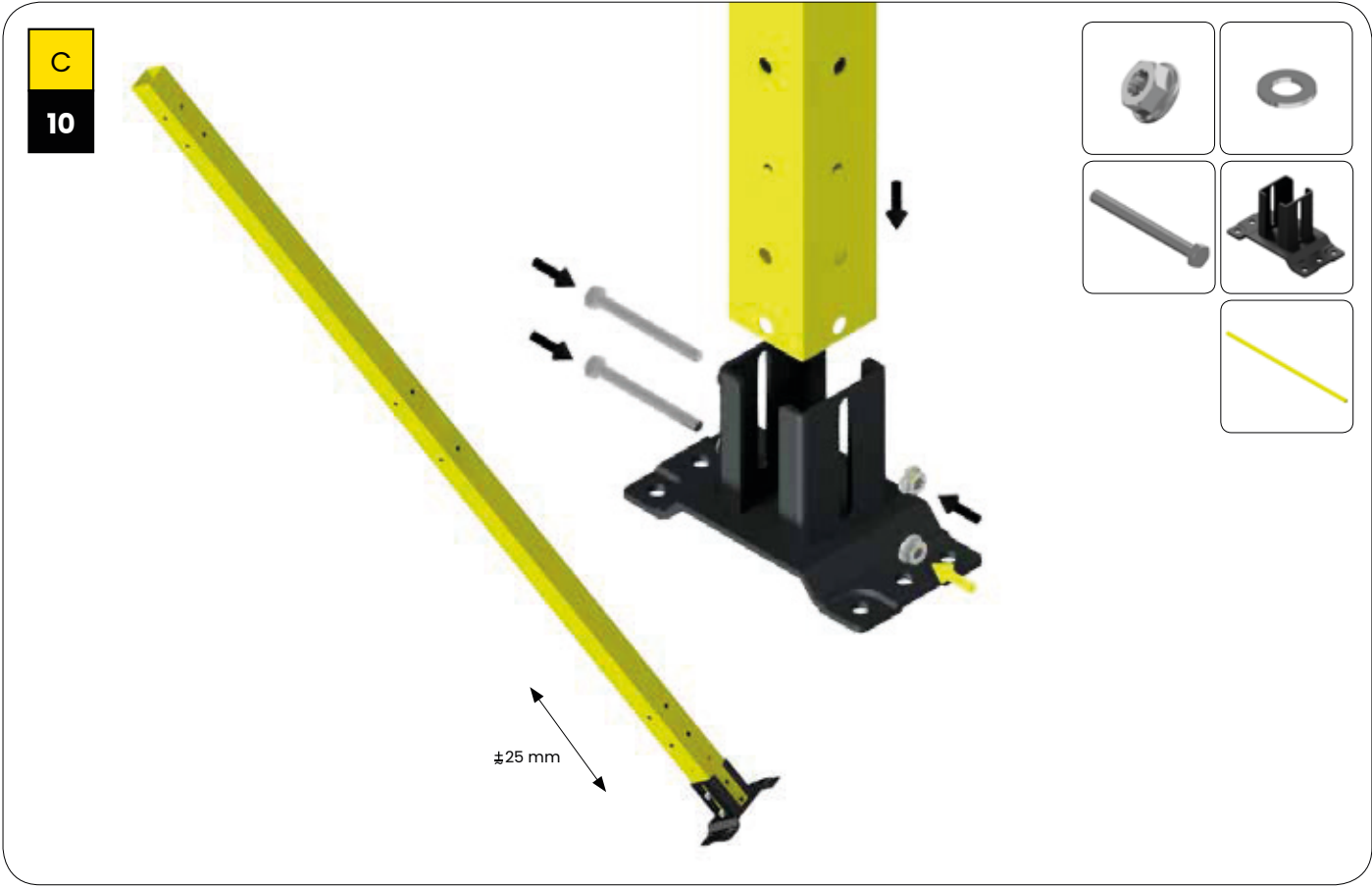
**ASSEMBLY PHASE 1.**

V	X	D	X	.	B	X	X	X	X	X	X	.	X	X	X	X	X	X	X	X	X
1	2	3	4	5	6	7	8	9	10	11	12	13	14	15	16	17	18	19	20	21	



V	X	D	X	.	B	X	X	X	X	X	X	.	X	X	X	X	X	X	X	X
1	2	3	4	5	6	7	8	9	10	11	12	13	14	15	16	17	18	19	20	21

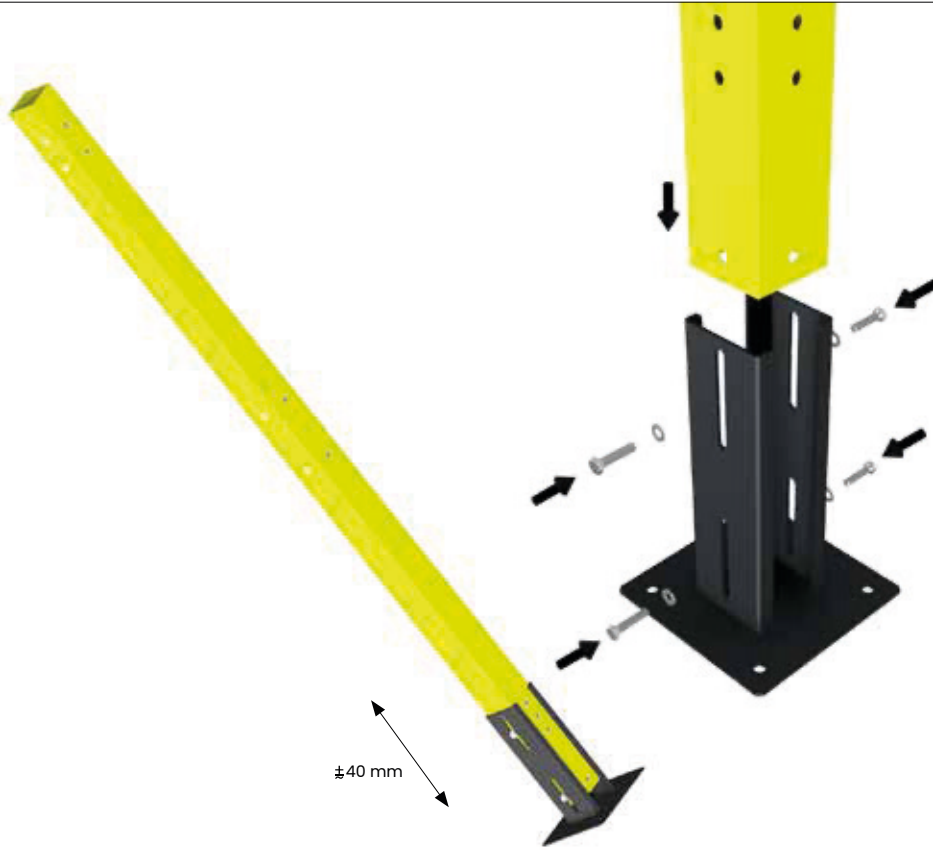
**ASSEMBLY PHASE 1.**



**ASSEMBLY PHASE 1.**

V	X	D	X	.	B	X	X	X	X	X	X	.	X	X	X	X	X	X	X	X	X
1	2	3	4	5	6	7	8	9	10	11	12	13	14	15	16	17	18	19	20	21	

**E**  
**10**



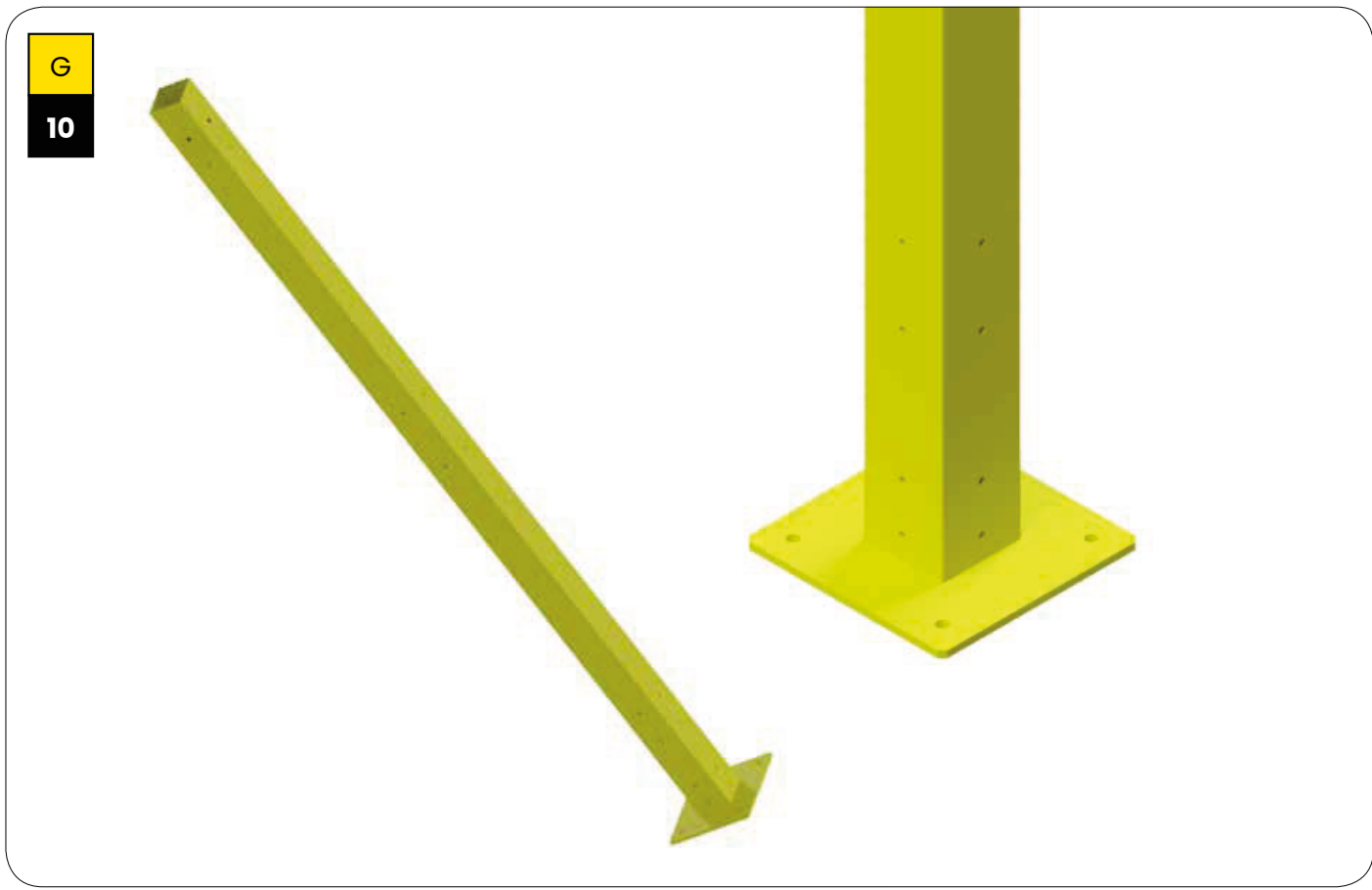
**F**  
**10**





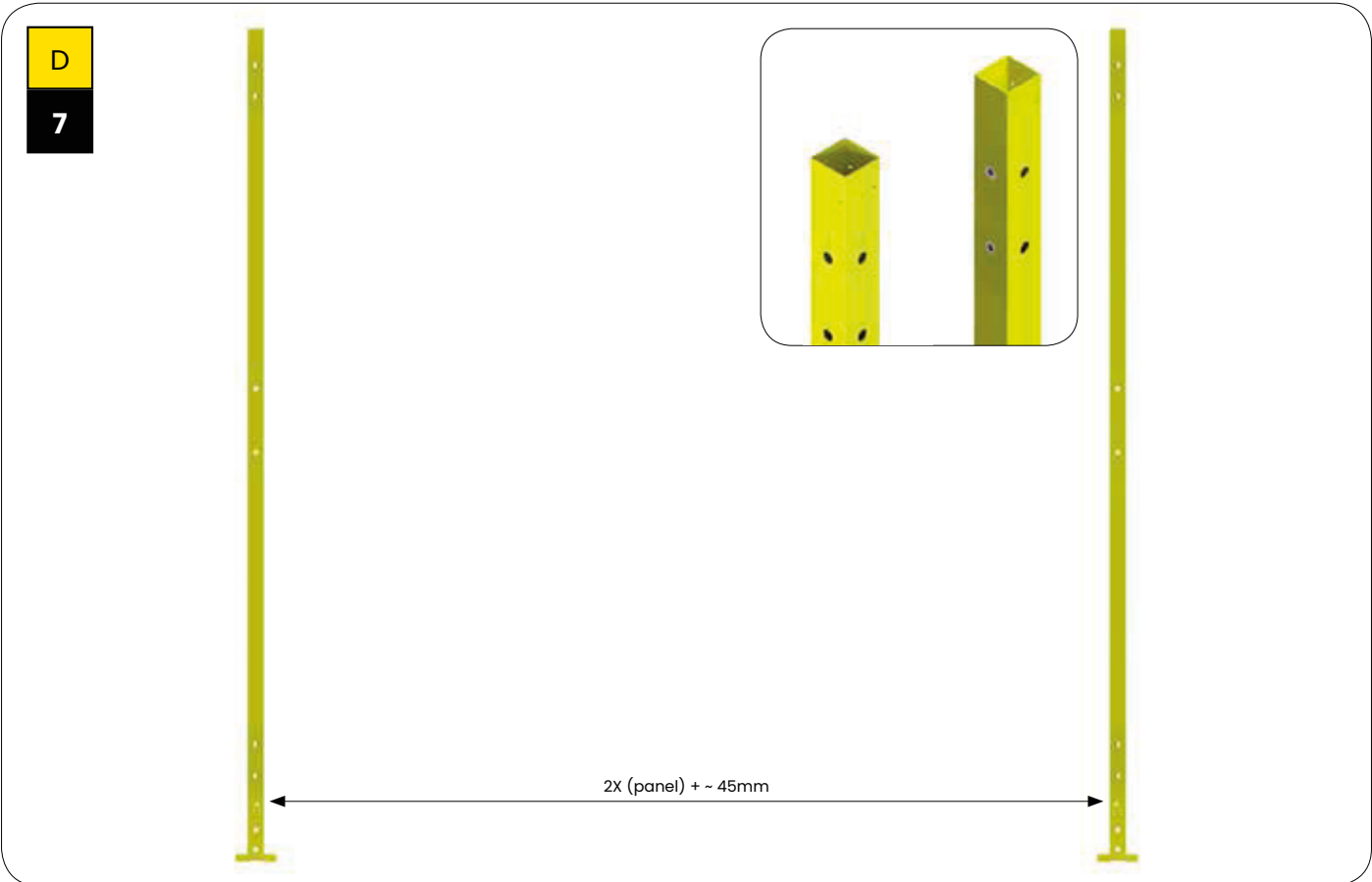
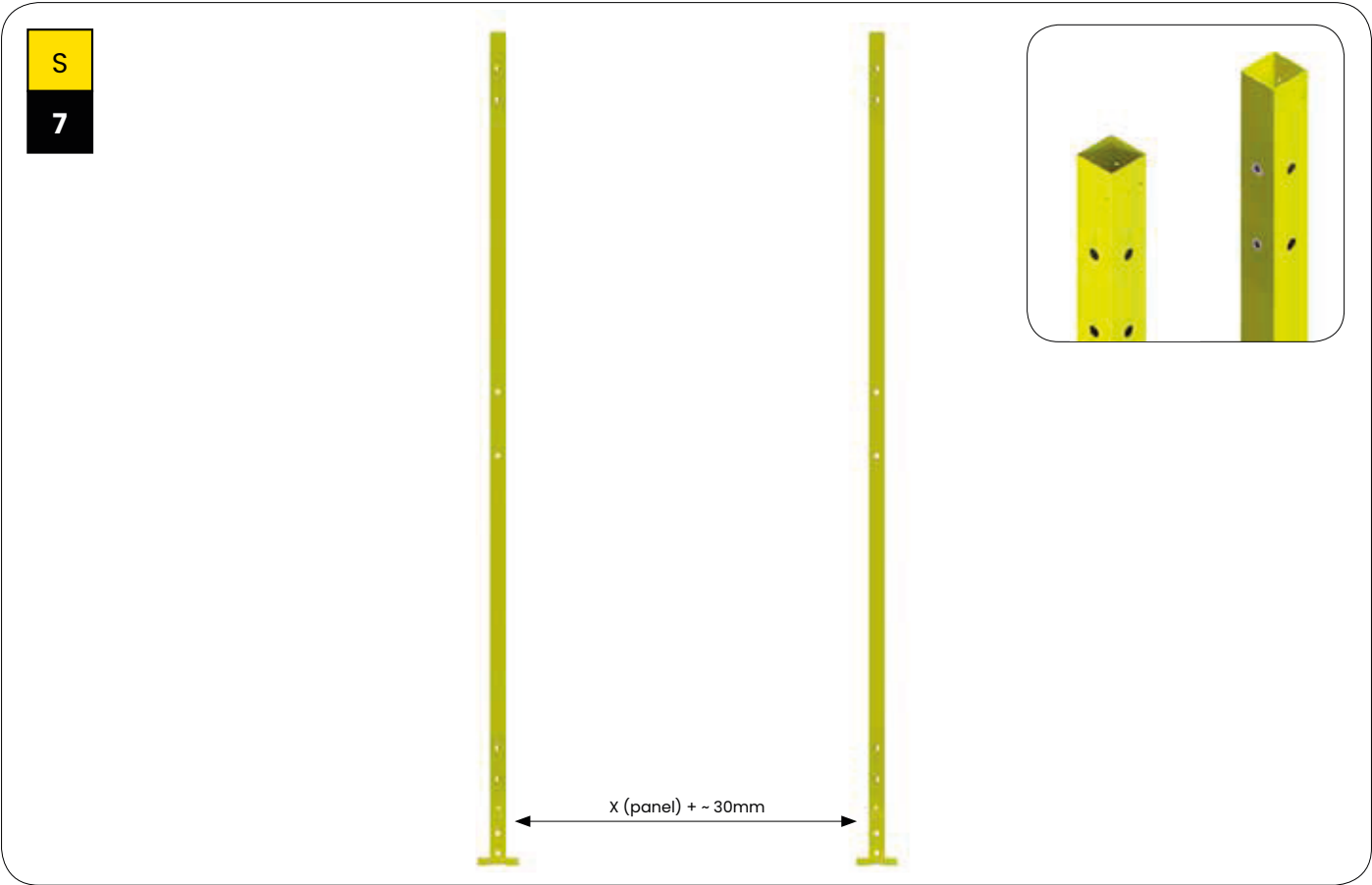
V	X	D	X	.	B	X	X	X	X	X	X	.	X	X	X	X	X	X	X	X
1	2	3	4	5	6	7	8	9	10	11	12	13	14	15	16	17	18	19	20	21

**ASSEMBLY PHASE 1.**



**ASSEMBLY PHASE 2.**

V	X	D	X	.	B	X	X	X	X	X	X	.	X	X	X	X	X	X	X	X	X
1	2	3	4	5	6	7	8	9	10	11	12	13	14	15	16	17	18	19	20	21	





V	X	D	X	.	B	X	X	X	X	X	X	.	X	X	X	X	X	X	X	X	X
1	2	3	4	5	6	7	8	9	10	11	12	13	14	15	16	17	18	19	20	21	

**ASSEMBLY PHASE 3.**

C	A	B	C	D
8	10	10	10	10

S	A	B	C	D
8	10	10	10	10

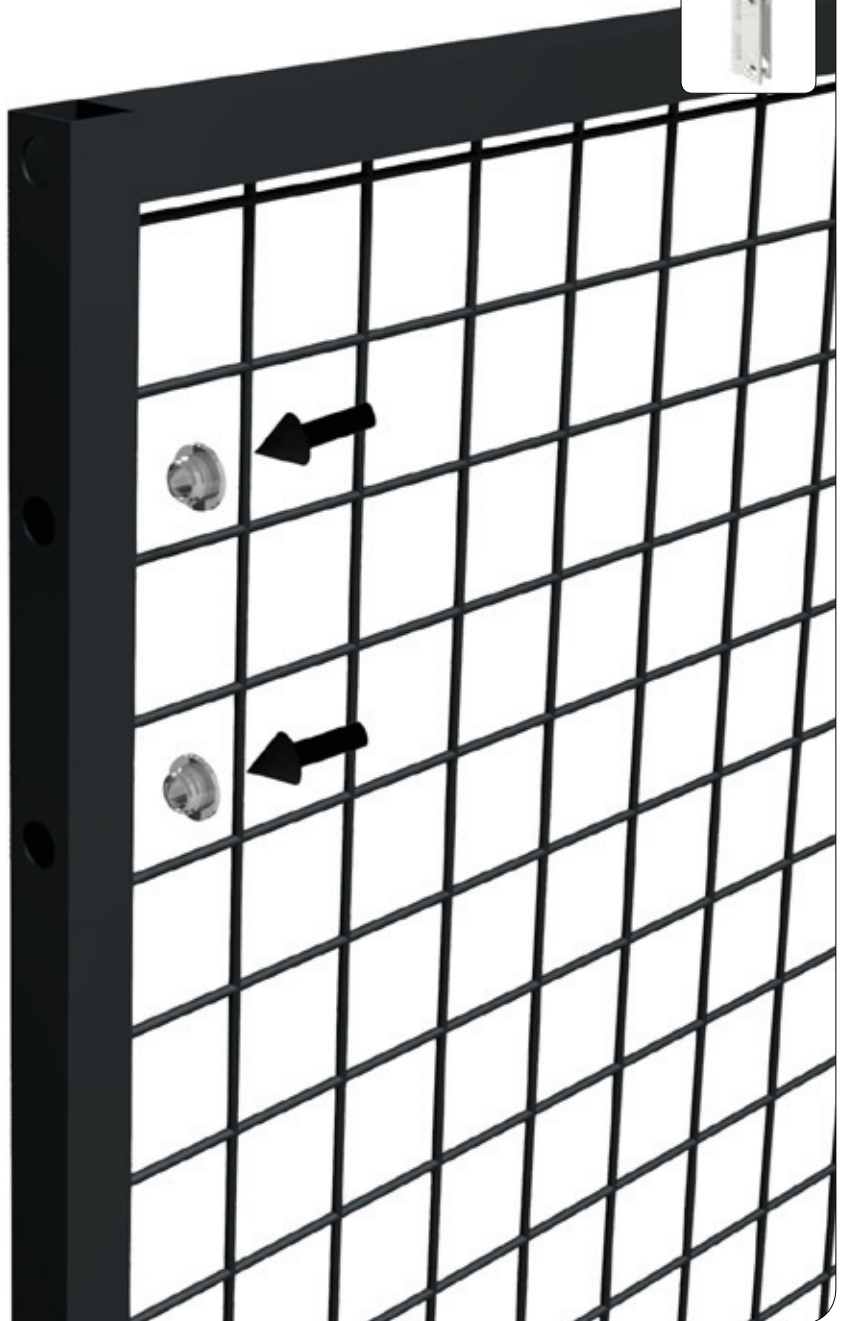
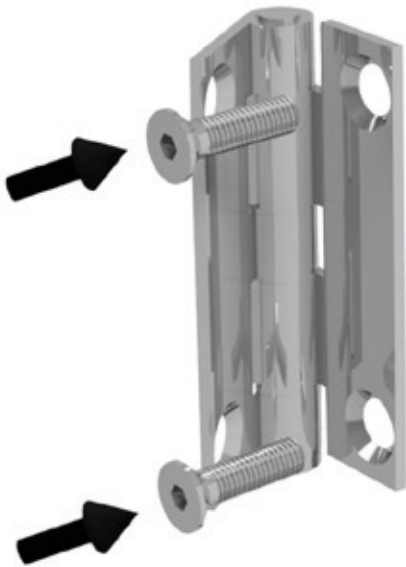
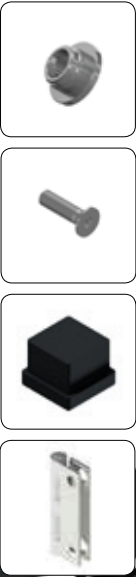
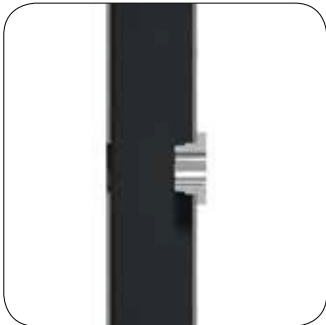
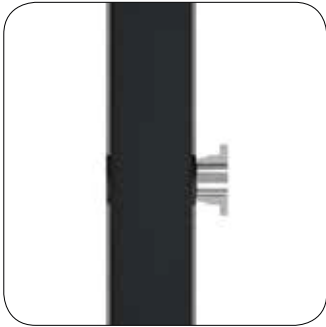
C	E	F	G
8	10	10	10

S	E	F	G
8	10	10	10

ASSEMBLY PHASE 4.

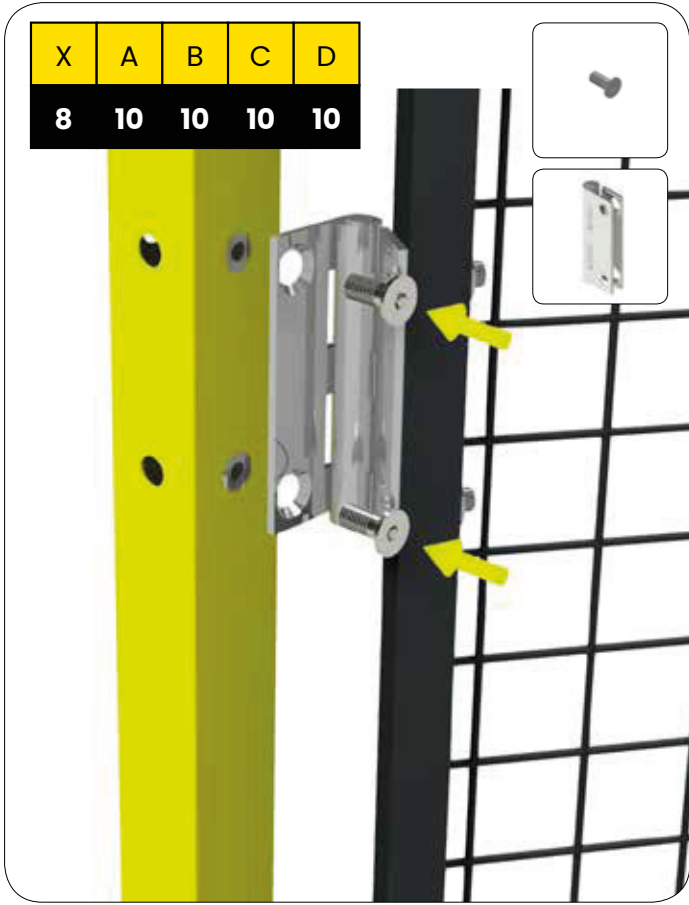
V	X	D	X	.	B	X	X	X	X	X	X	X	.	X	X	X	X	X	X	X	X
1	2	3	4	5	6	7	8	9	10	11	12	13	14	15	16	17	18	19	20	21	

3/2  
12



V	X	D	X	.	B	X	X	X	X	X	X	.	X	X	X	X	X	X	X	X
1	2	3	4	5	6	7	8	9	10	11	12	13	14	15	16	17	18	19	20	21

**ASSEMBLY PHASE 5.**



**ASSEMBLY PHASE 5.**

V	X	D	X	.	B	X	X	X	X	X	.	X	X	X	X	X	X	X	X	X
1	2	3	4	5	6	7	8	9	10	11	12	13	14	15	16	17	18	19	20	21

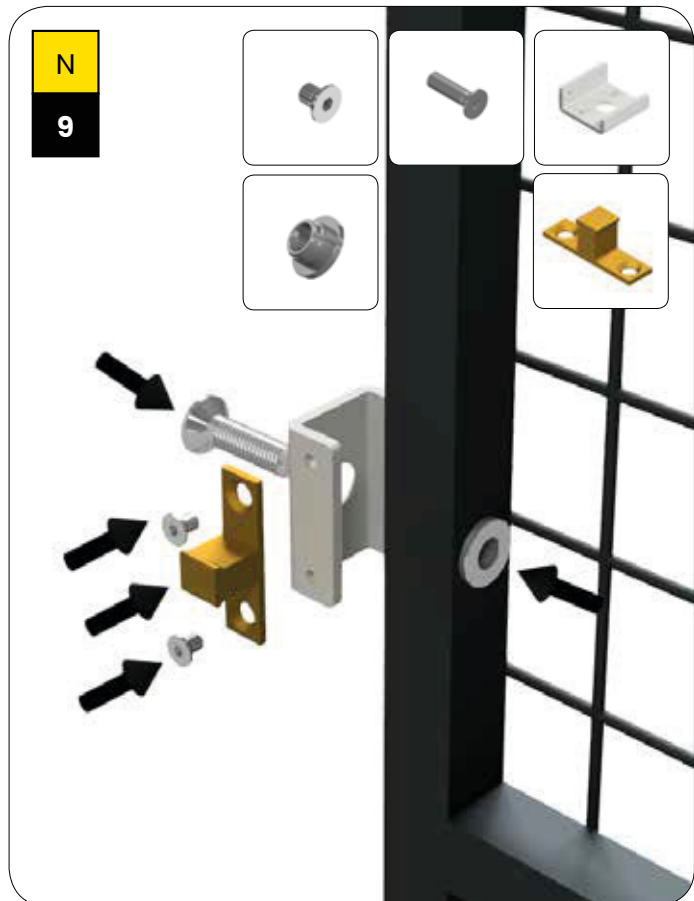
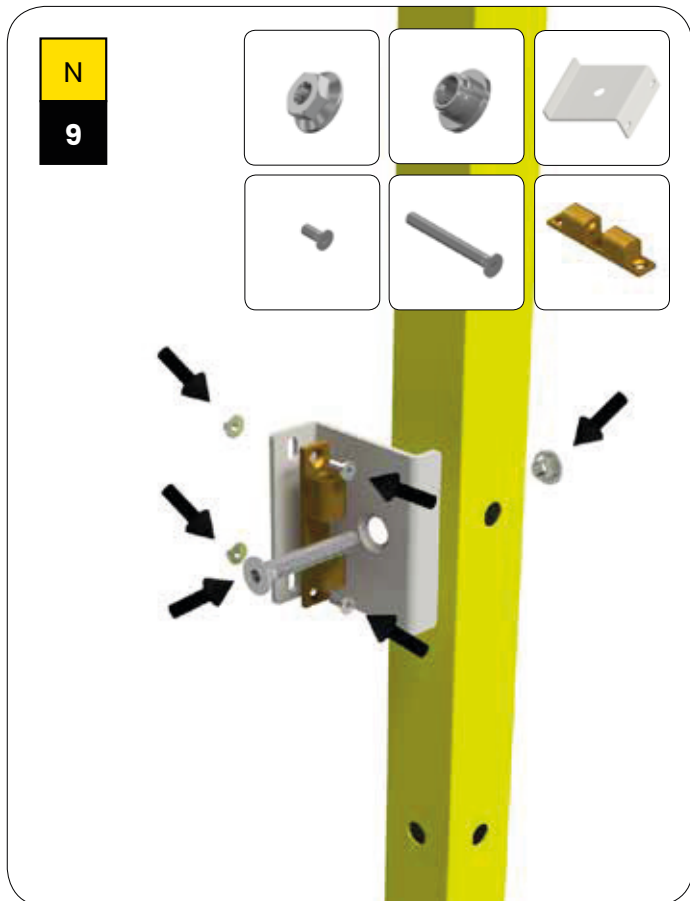
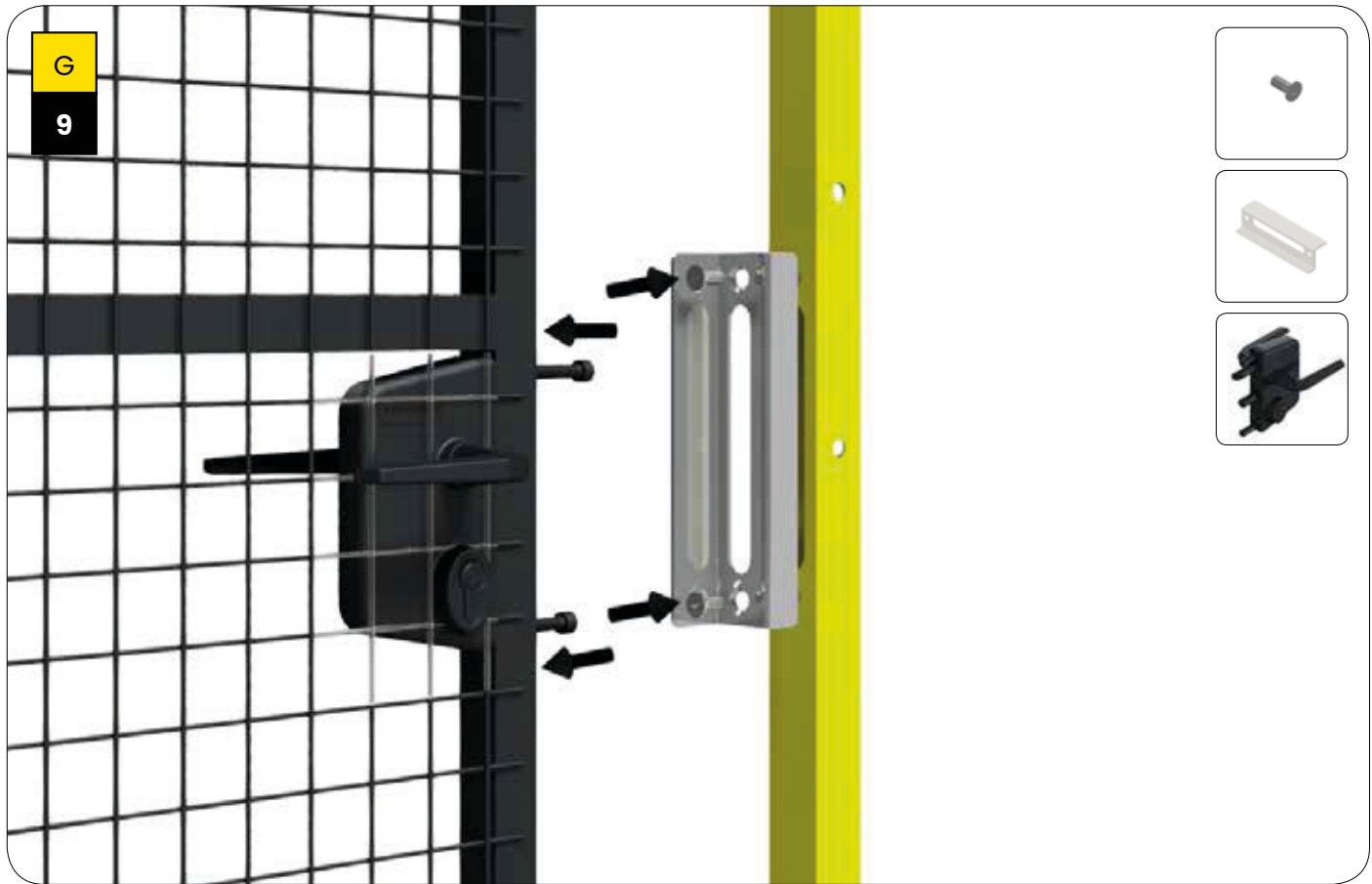
C	E	F	G
8	10	10	10

S	G
8	10

IF 9=0 GO TO THE NEXT PHASE

V	X	D	X	.	B	S	X	X	X	X	X	.	X	X	X	X	X	X	X	X
1	2	3	4	5	6	7	8	9	10	11	12	13	14	15	16	17	18	19	20	21

ASSEMBLY PHASE 6.

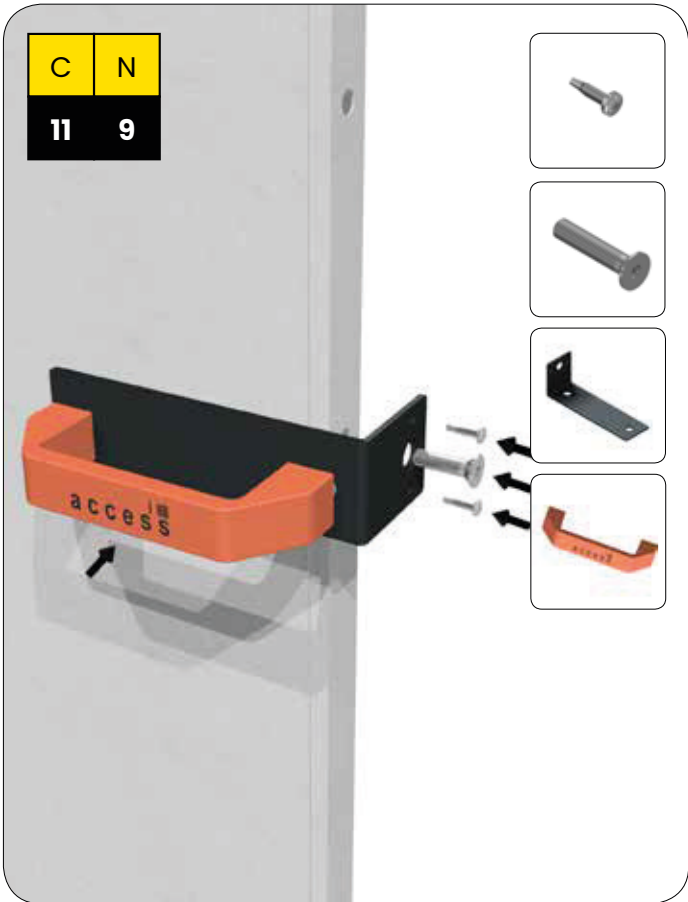
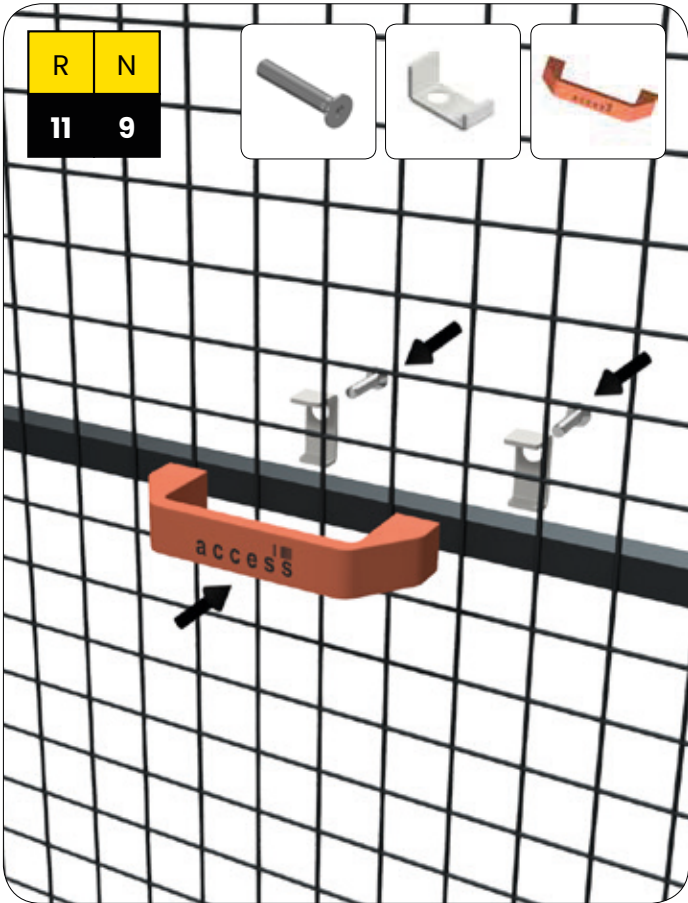




IF 11=0 GO TO THE NEXT PHASE

ASSEMBLY PHASE 6.

V	X	D	X	.	B	S	X	X	X	X	X	.	X	X	X	X	X	X	X	X
1	2	3	4	5	6	7	8	9	10	11	12	13	14	15	16	17	18	19	20	21



V	X	D	X	.	B	S	X	X	X	X	X	.	X	X	X	X	X	X	X	X
1	2	3	4	5	6	7	8	9	10	11	12	13	14	15	16	17	18	19	20	21

**ASSEMBLY PHASE 7.**



N	A	2
9	10	12

N	B	2
9	10	12

0	A	2
9	10	12

0	B	2
9	10	12

N	C
9	10

N	D
9	10

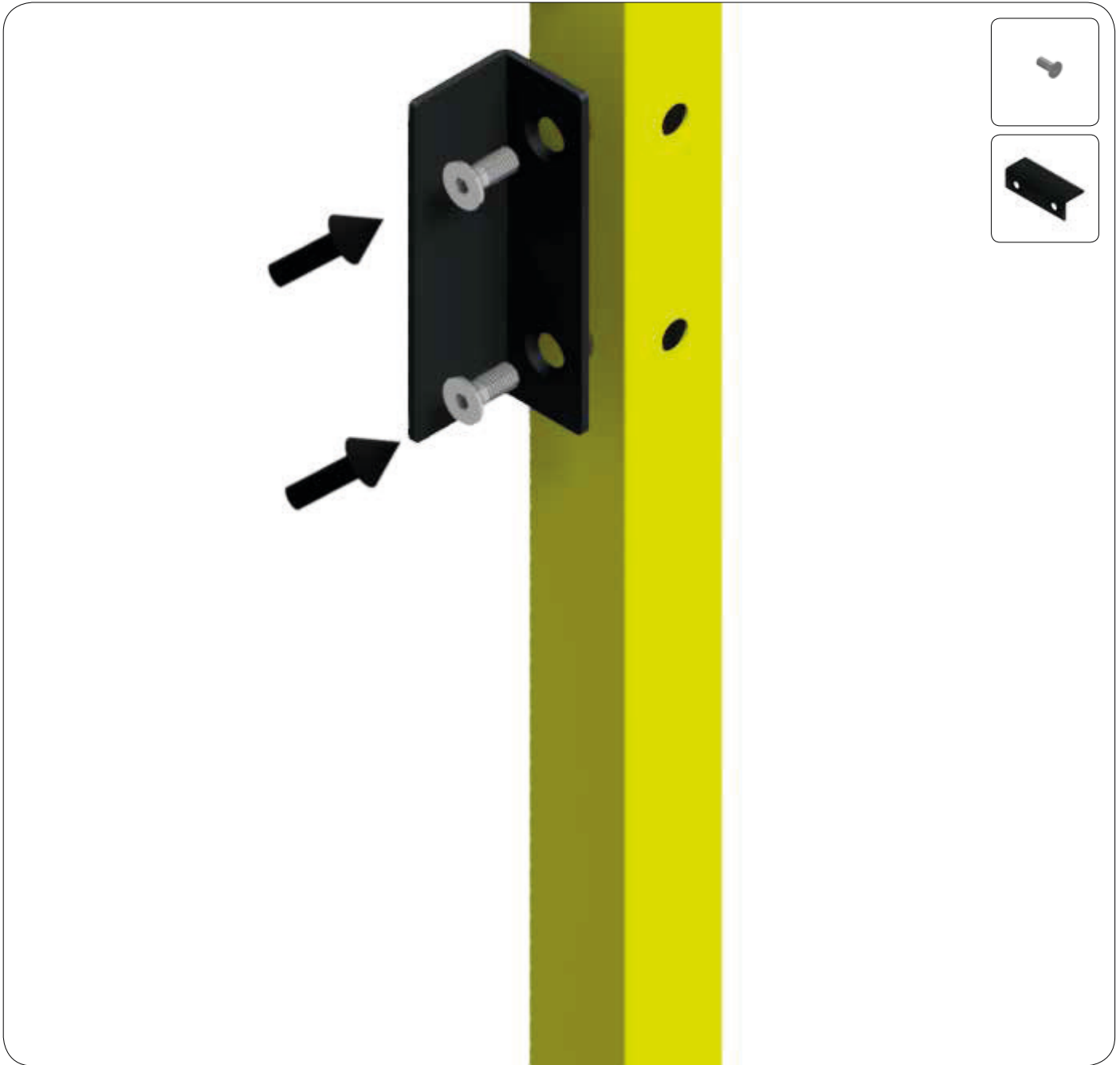
0	C
9	10

0	D
9	10



**ASSEMBLY PHASE 7.**

V	X	D	X	.	B	S	X	X	X	X	3	.	X	X	X	X	X	X	X	X
1	2	3	4	5	6	7	8	9	10	11	12	13	14	15	16	17	18	19	20	21



N	A
9	10

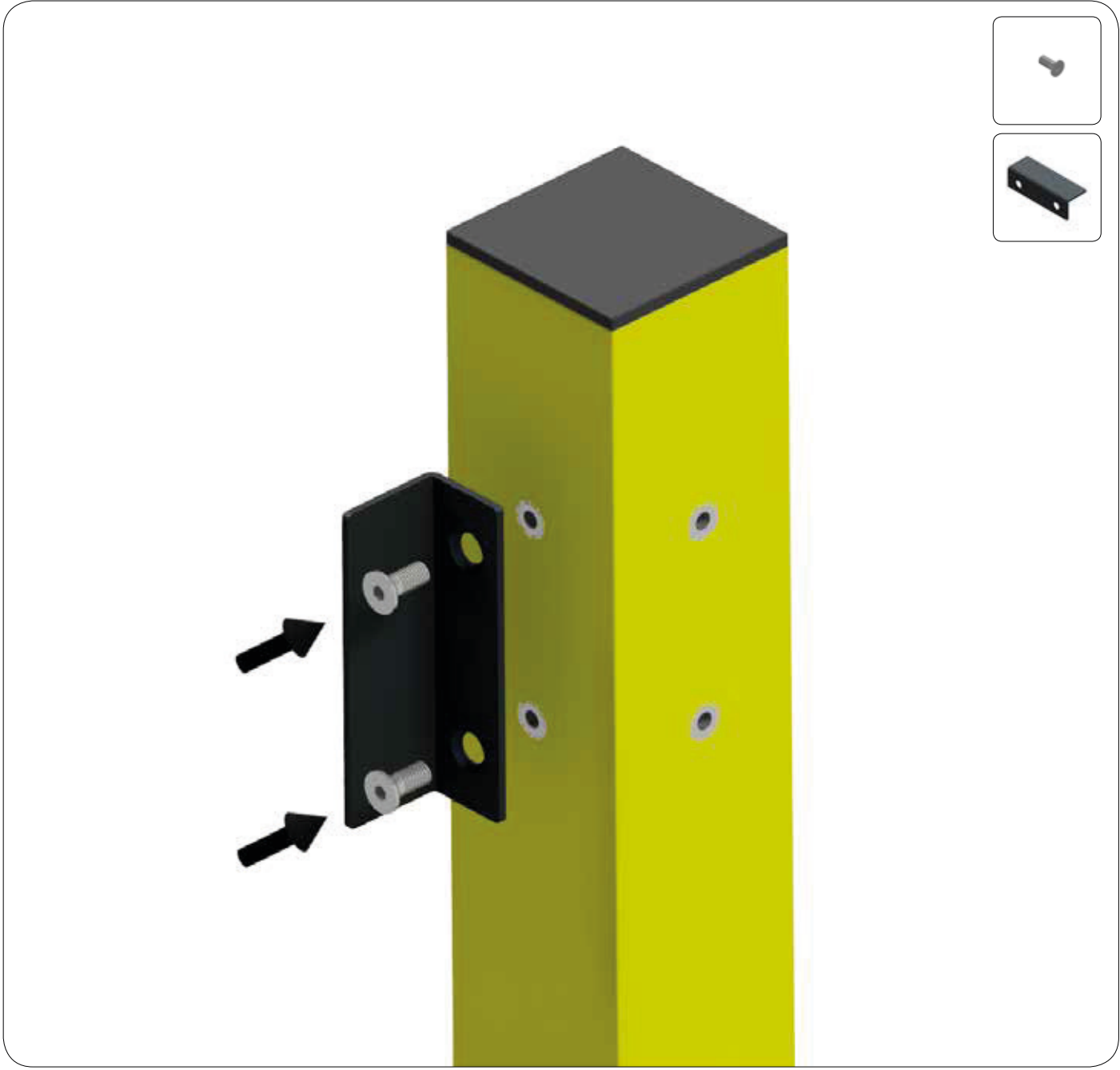
N	B
9	10

O	A
9	10

O	B
9	10

V	X	D	X	.	B	S	S	X	X	X	X	.	X	X	X	X	X	X	X	X
1	2	3	4	5	6	7	8	9	10	11	12	13	14	15	16	17	18	19	20	21

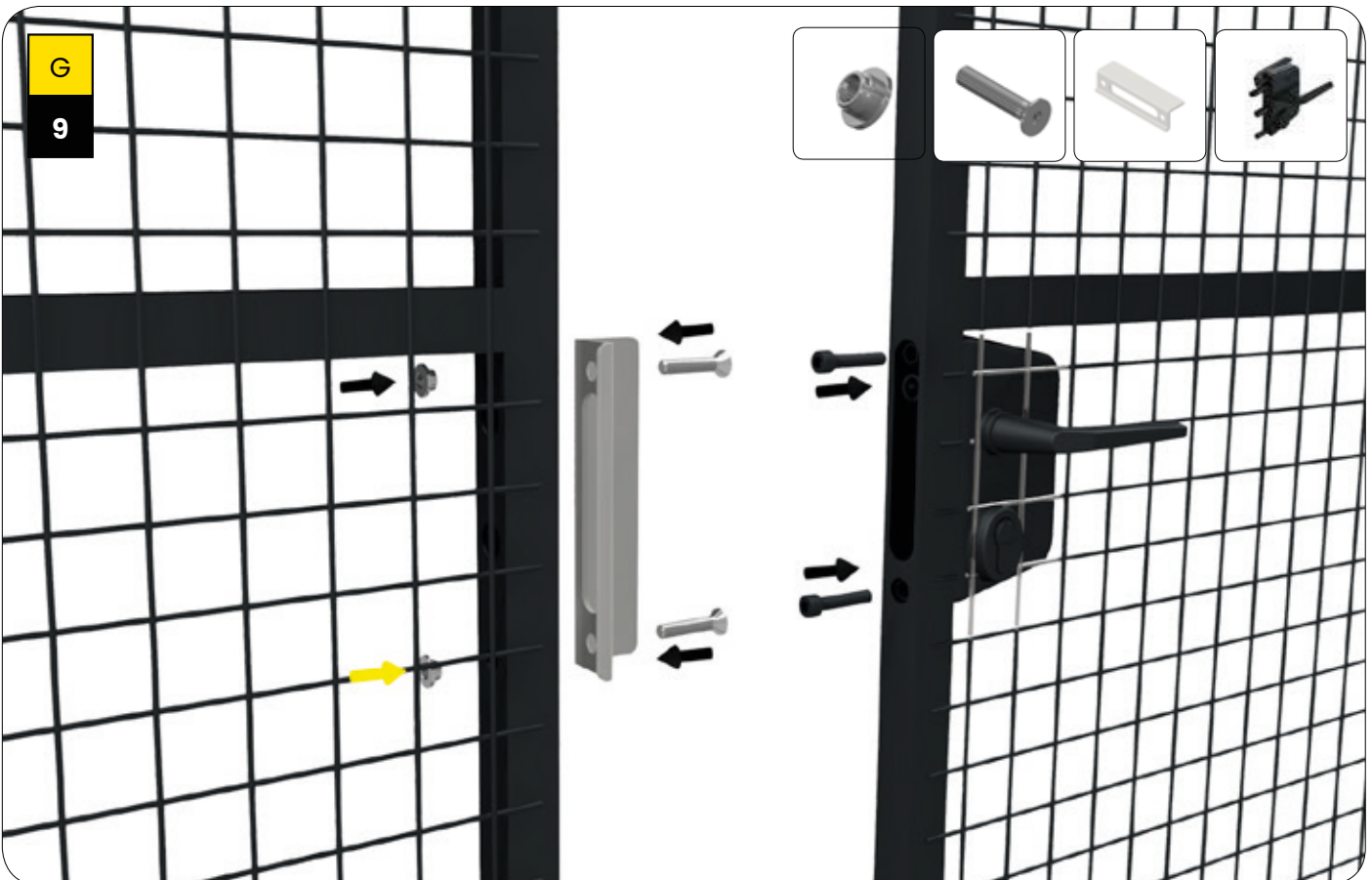
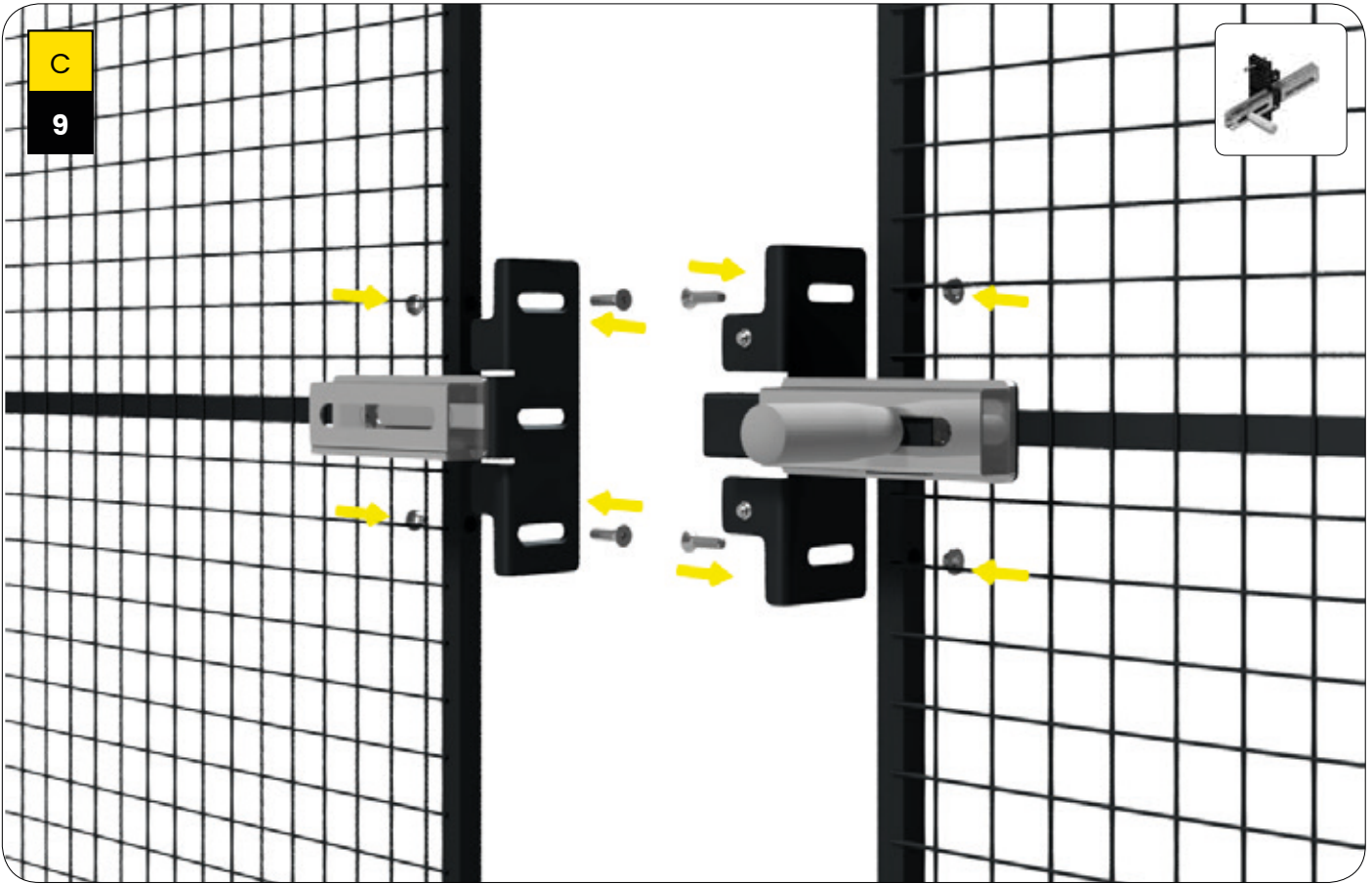
**ASSEMBLY PHASE 7.**



- E**  
10
- F**  
10
- G**  
10

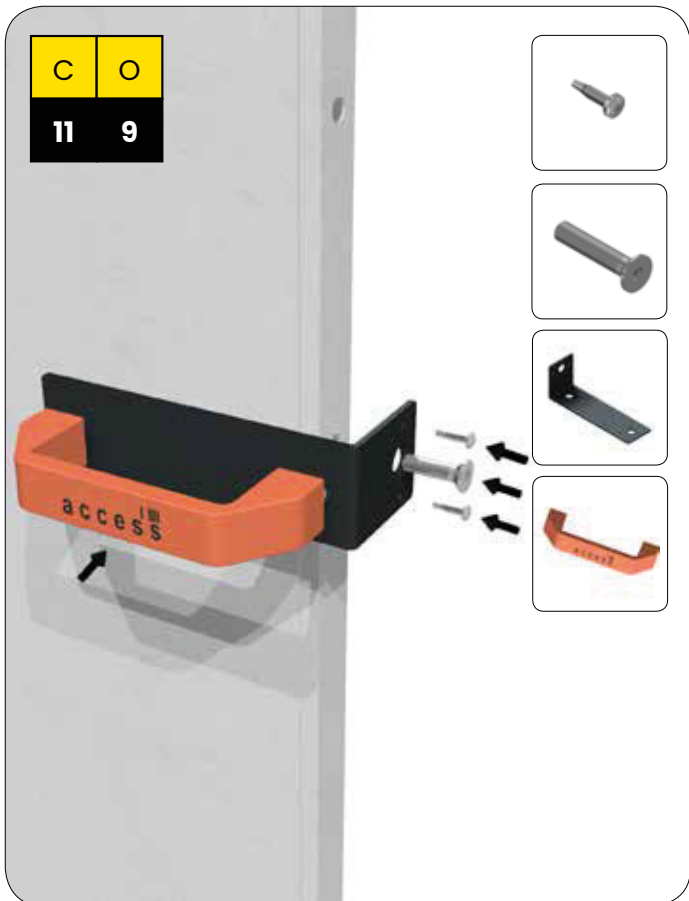
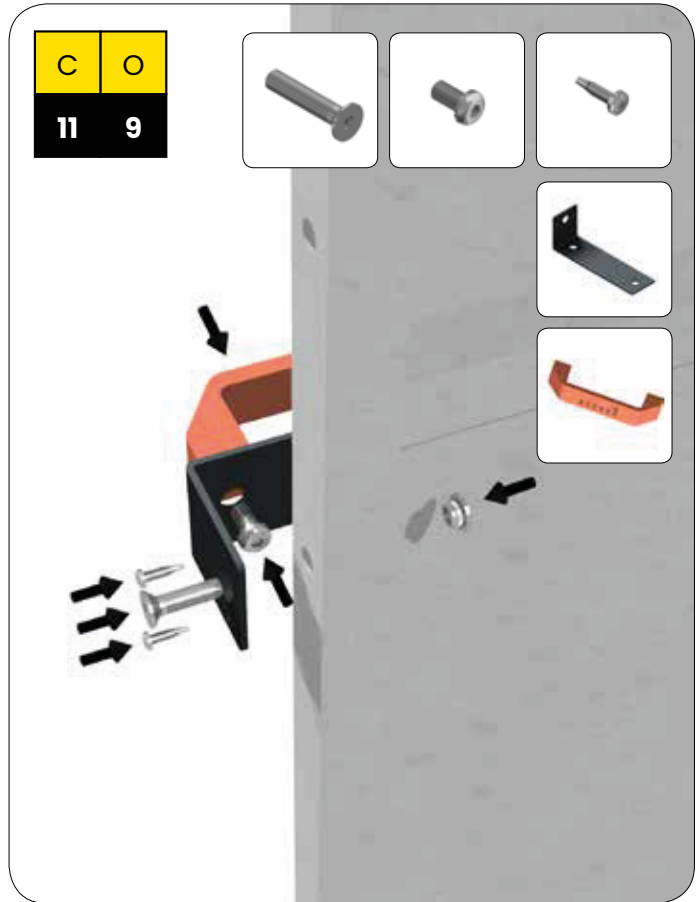
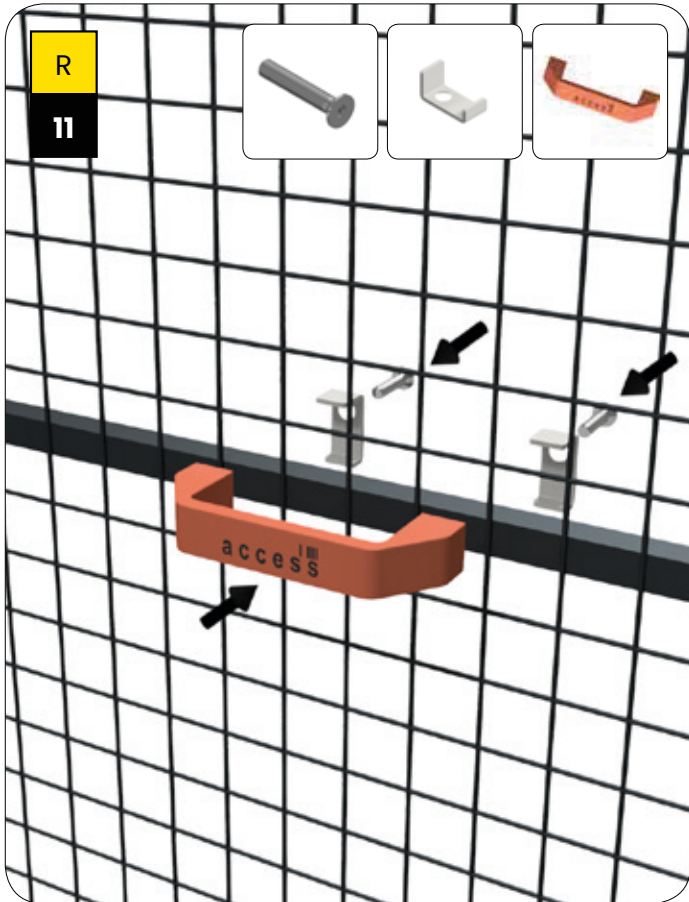
**ASSEMBLY PHASE 6.**

V	X	D	X	.	B	<b>D</b>	X	<b>X</b>	X	X	X	.	X	X	X	X	X	X	X	X
1	2	3	4	5	6	7	8	9	10	11	12	13	14	15	16	17	18	19	20	21



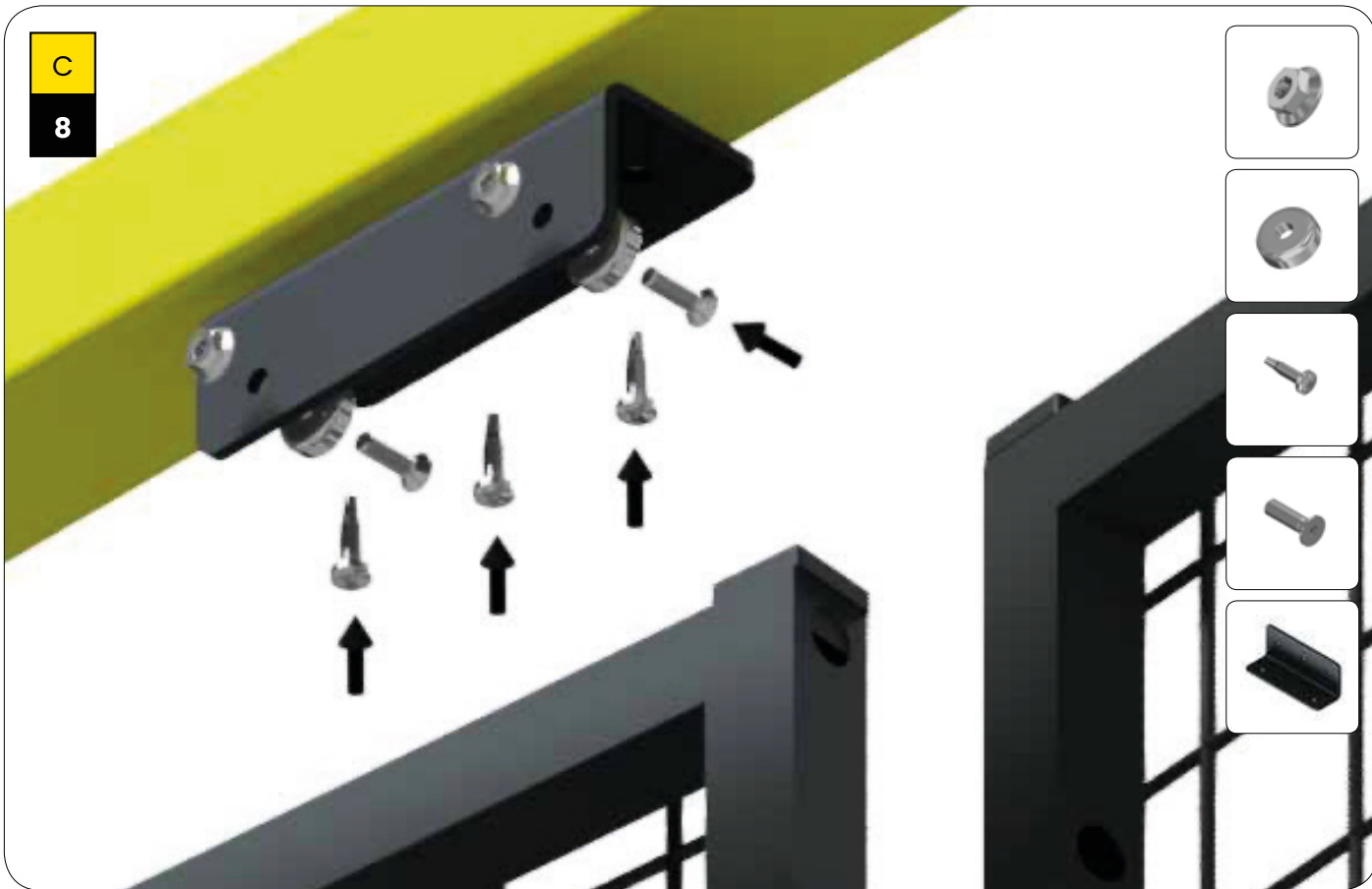
V	X	D	X	.	B	<b>D</b>	X	<b>X</b>	X	<b>X</b>	X	.	X	X	X	X	X	X	X	X
1	2	3	4	5	6	7	8	9	10	11	12	13	14	15	16	17	18	19	20	21

**ASSEMBLY PHASE 6.**



ASSEMBLY PHASE 7.

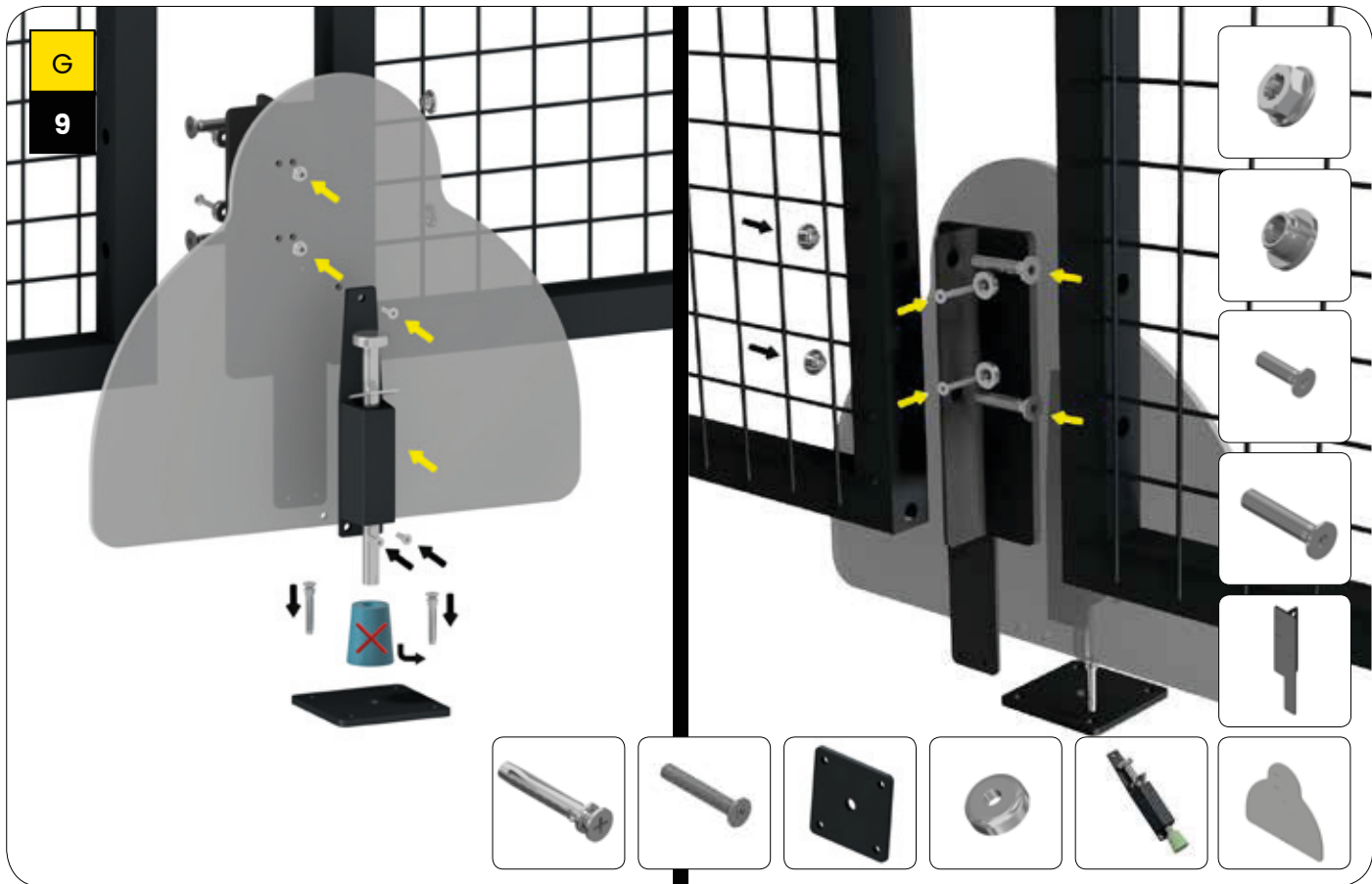
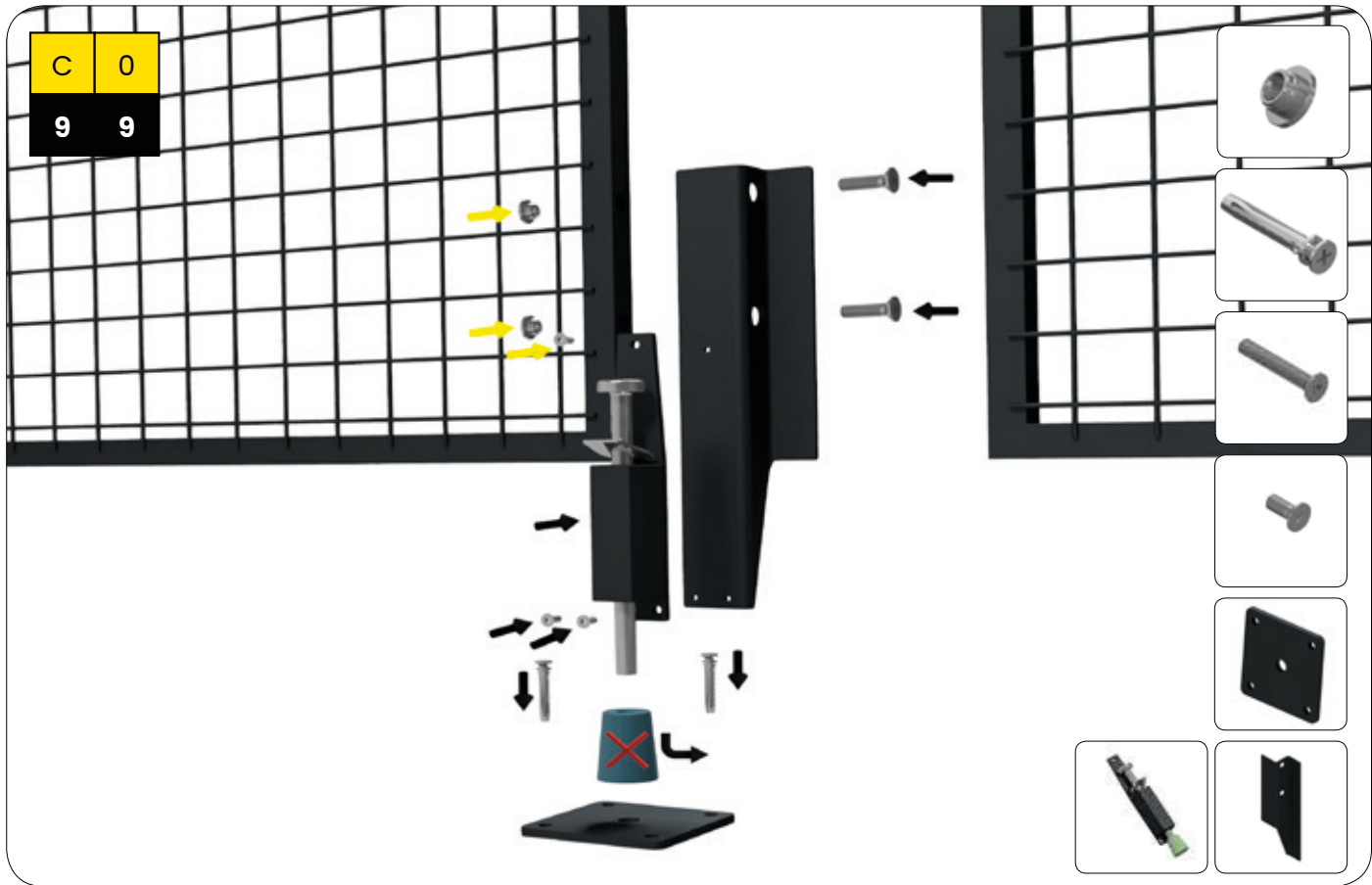
V	X	D	X	.	B	D	X	X	X	X	X	.	X	X	X	X	X	X	X	X
1	2	3	4	5	6	7	8	9	10	11	12	13	14	15	16	17	18	19	20	21





V	X	D	X	.	B	D	X	X	X	X	X	.	X	X	X	X	X	X	X	X
1	2	3	4	5	6	7	8	9	10	11	12	13	14	15	16	17	18	19	20	21

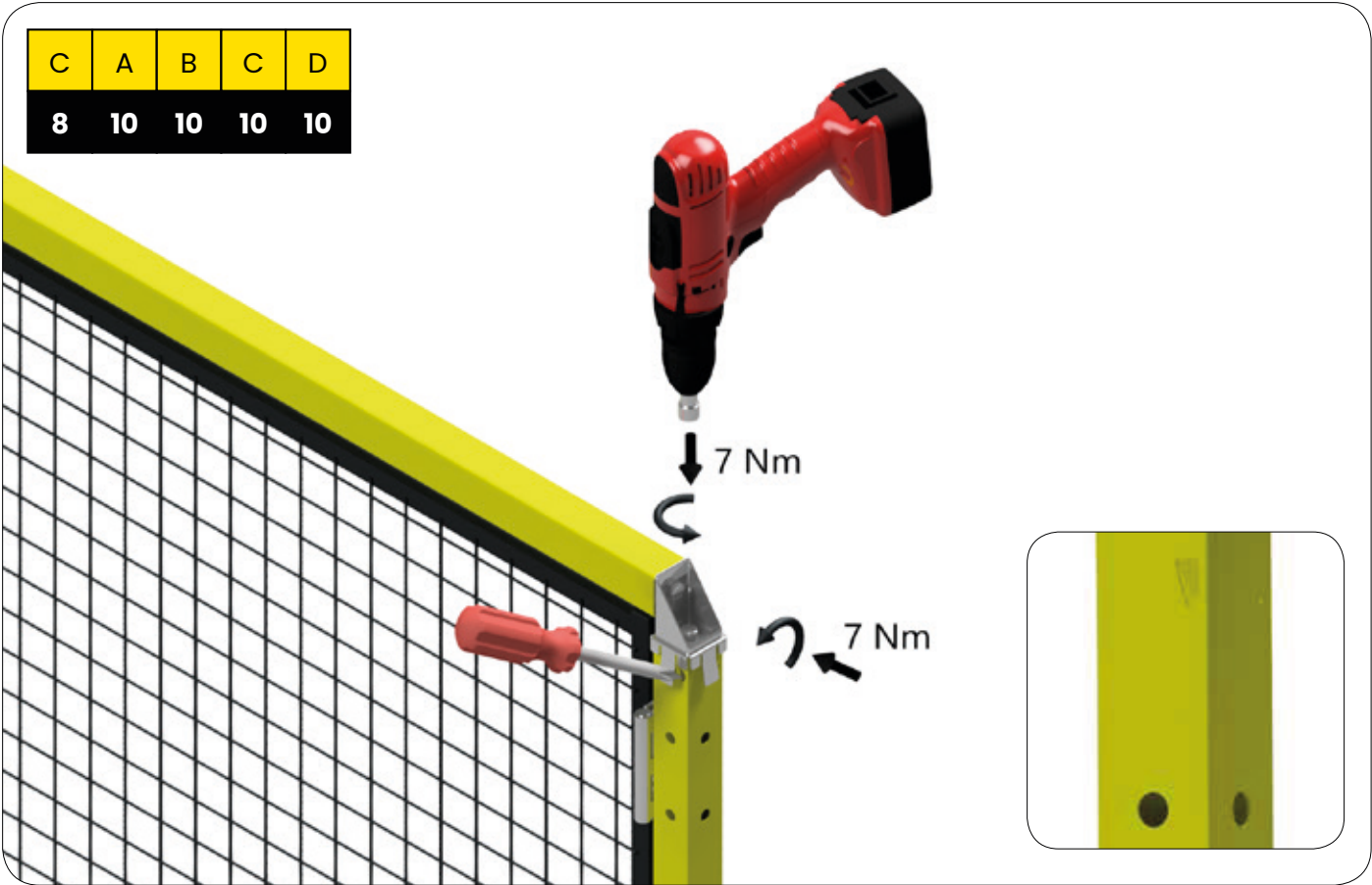
**ASSEMBLY PHASE 7.**



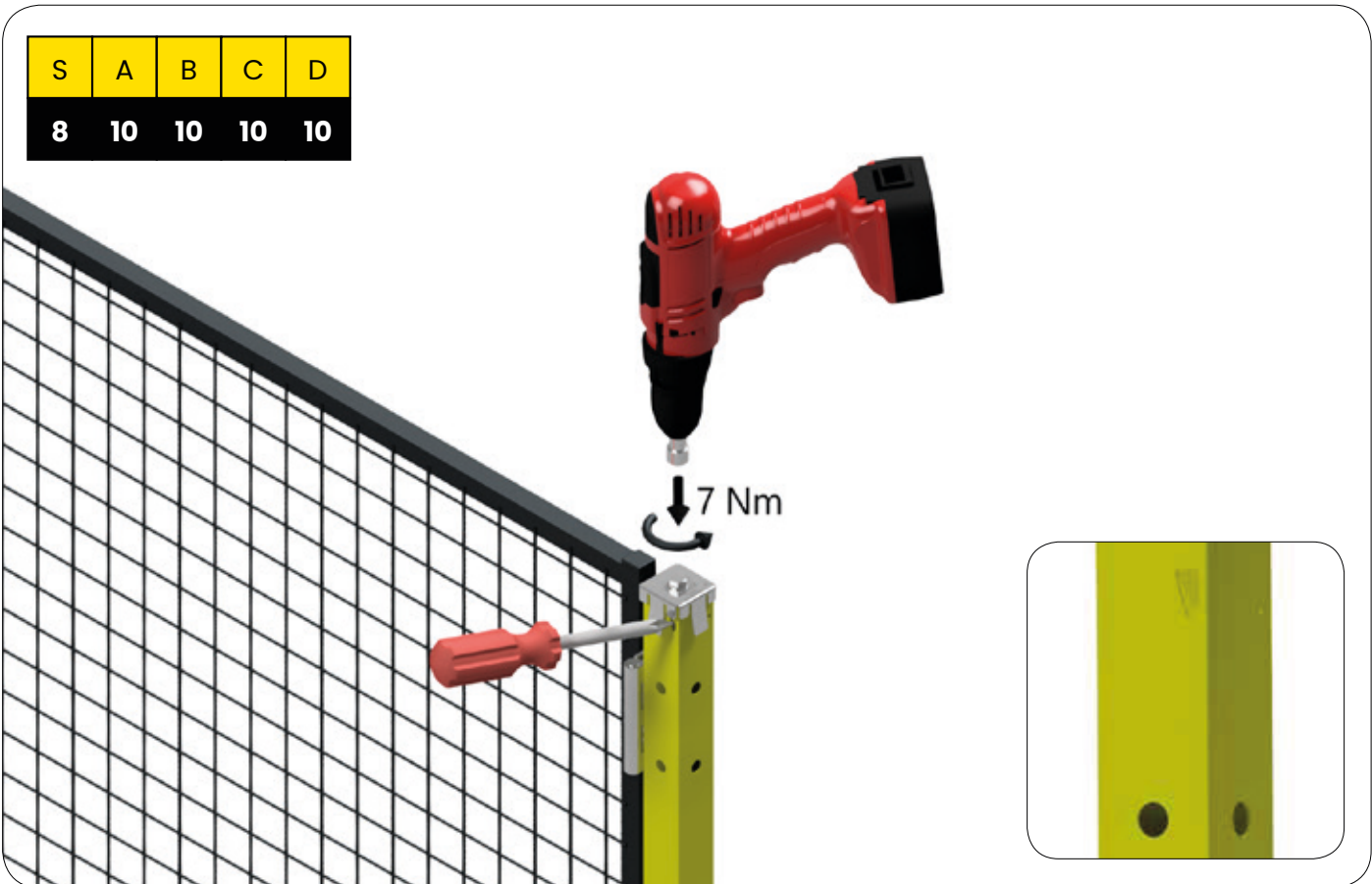
**ASSEMBLY PHASE 8.**

V	X	D	X	.	B	X	X	X	X	X	.	X	X	X	X	X	X	X	X	X
1	2	3	4	5	6	7	8	9	10	11	12	13	14	15	16	17	18	19	20	21

C	A	B	C	D
8	10	10	10	10



S	A	B	C	D
8	10	10	10	10



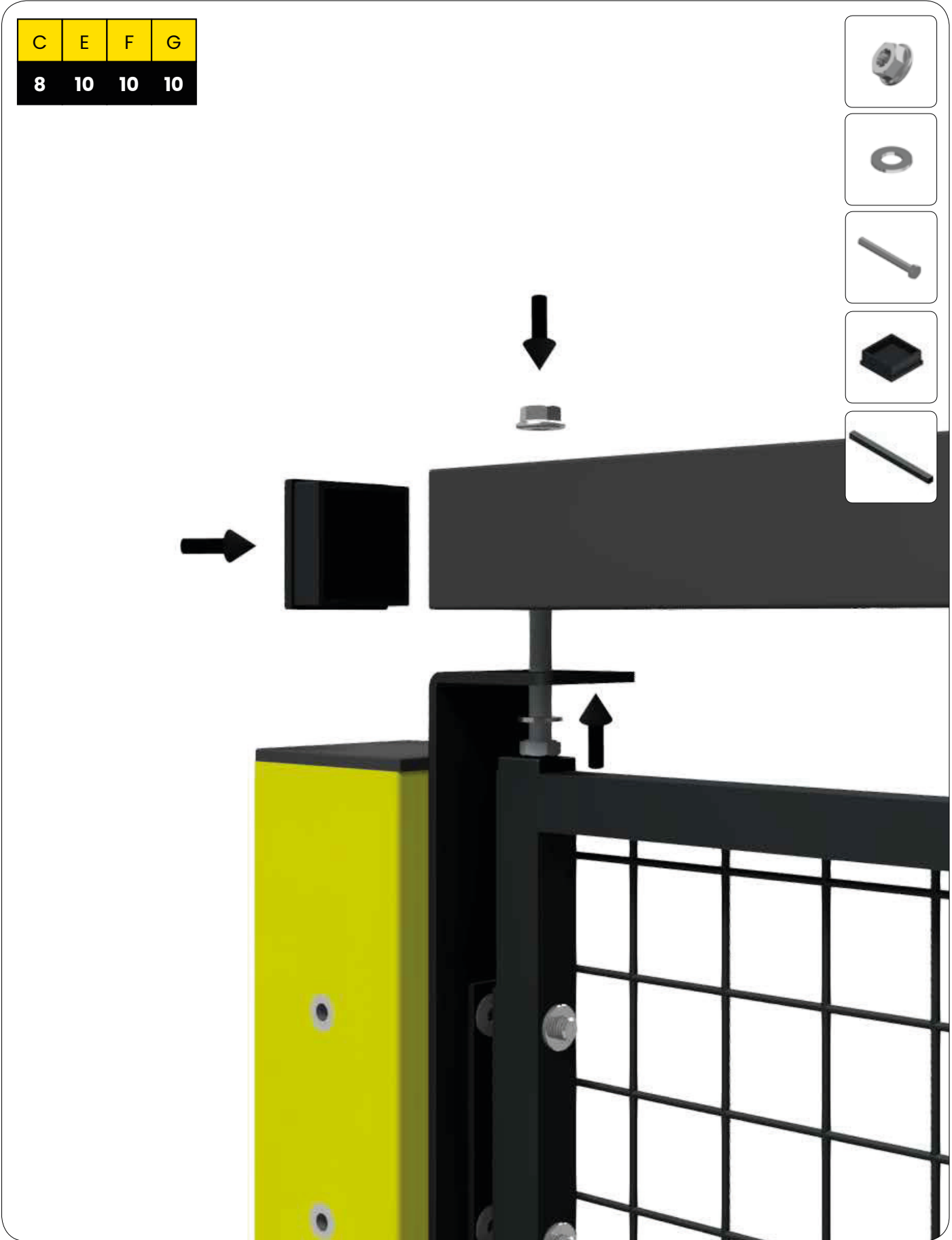


V	X	D	X	.	B	X	C	X	X	X	X	.	X	X	X	X	X	X	X	X
1	2	3	4	5	6	7	8	9	10	11	12	13	14	15	16	17	18	19	20	21

**ASSEMBLY PHASE 8.**

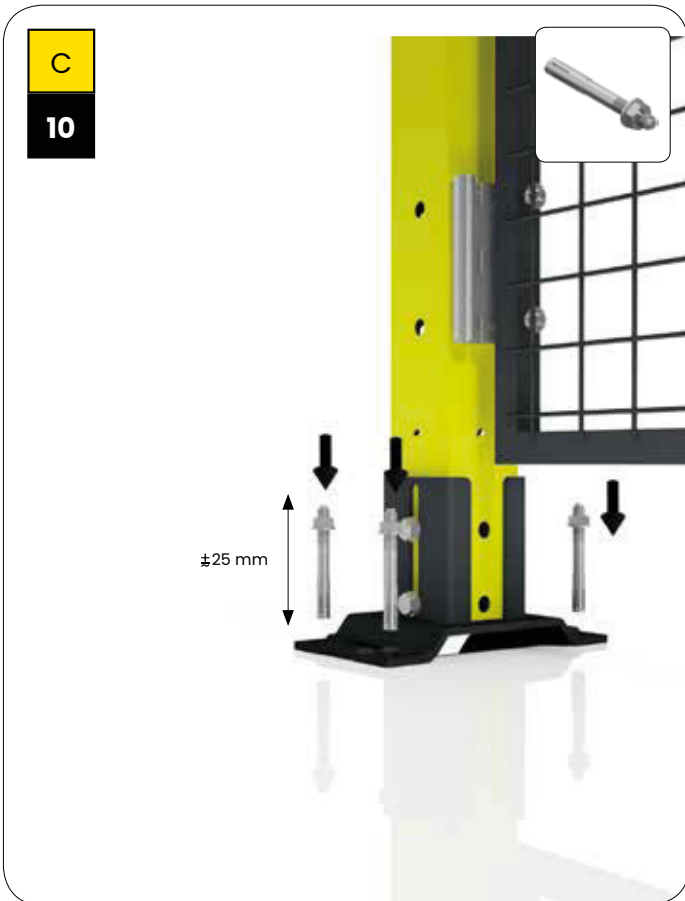
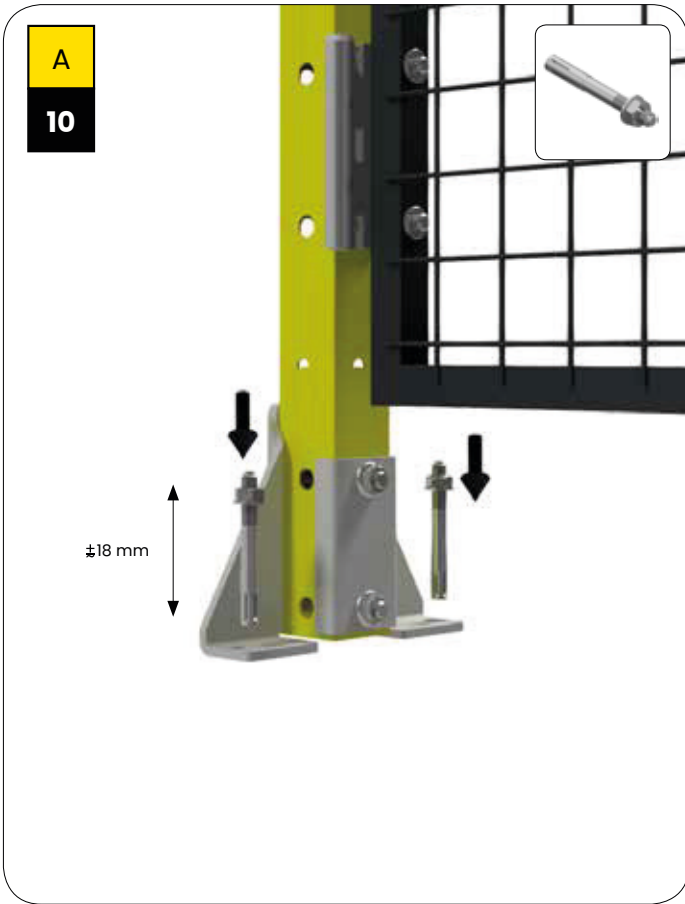
C	E	F	G
8	10	10	10

- 
- 
- 
- 
- 



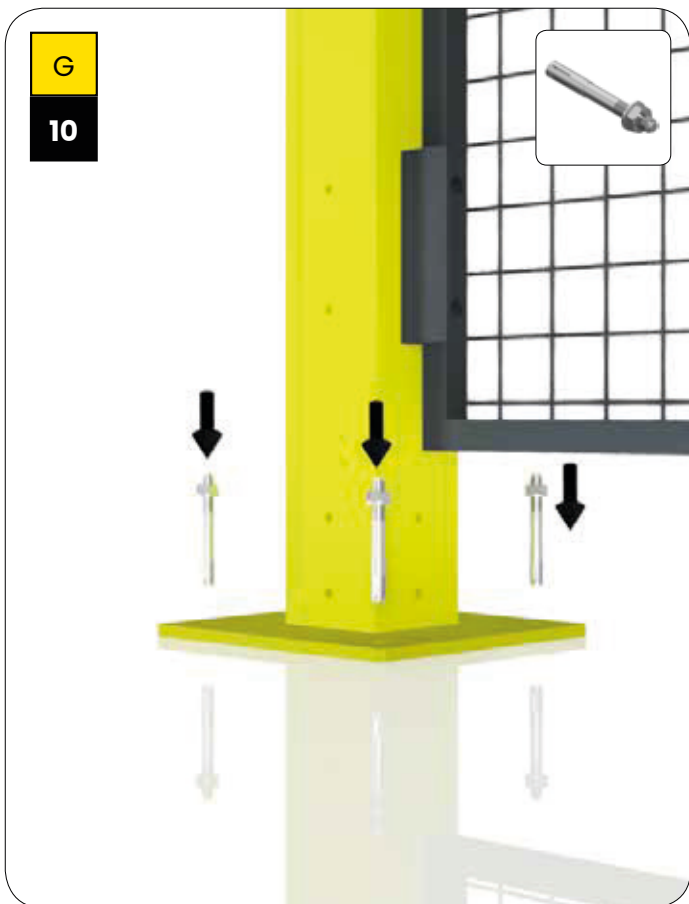
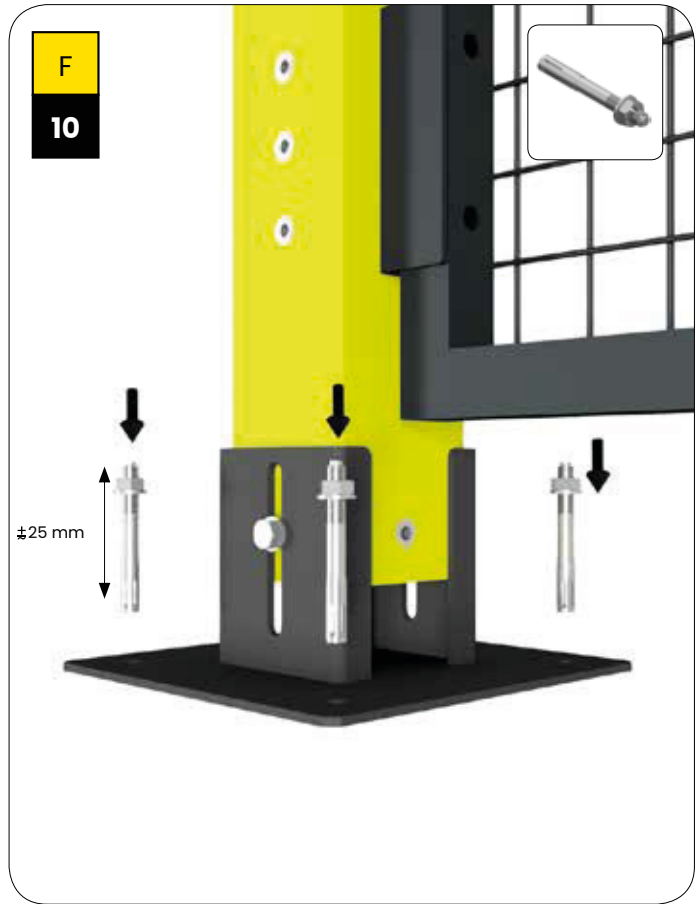
**ASSEMBLY PHASE 9.**

V	X	D	X	.	B	X	X	X	X	X	X	.	X	X	X	X	X	X	X	X	X
1	2	3	4	5	6	7	8	9	10	11	12	13	14	15	16	17	18	19	20	21	



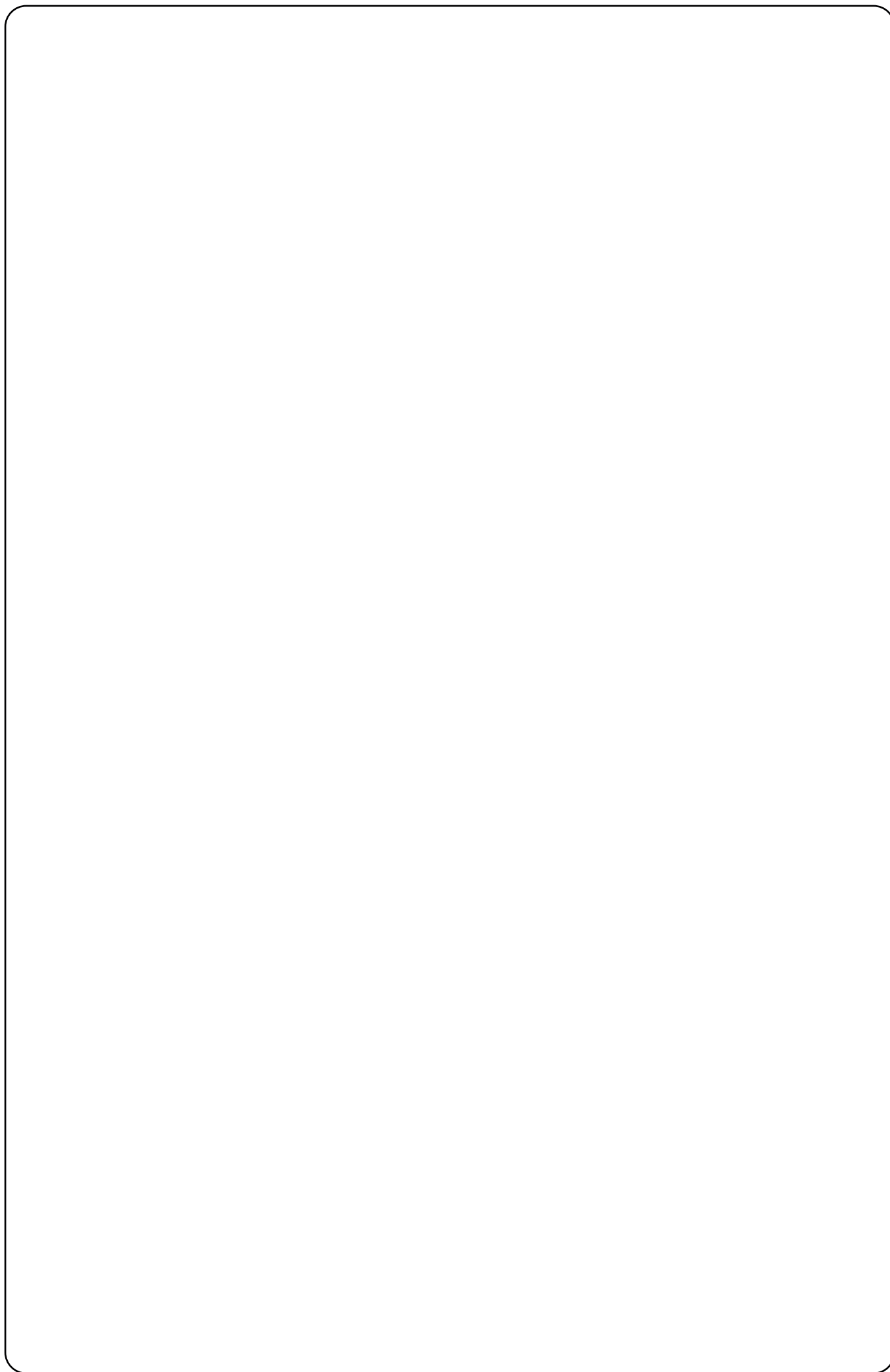
V	X	D	X	.	B	X	X	X	X	X	X	.	X	X	X	X	X	X	X	X
1	2	3	4	5	6	7	8	9	10	11	12	13	14	15	16	17	18	19	20	21

**ASSEMBLY PHASE 9.**



# NOTES

A large, empty rounded rectangular box with a thin black border, intended for taking notes. The box is centered on the page and occupies most of the vertical space below the 'NOTES' header.





**Access S.r.l.**

**P. IVA e C.F. 05718410961 - SDIM5UXCR1**

**HEADQUARTERS AND FACTORY ADDRESS**

Via Provinciale 56, n° 56, 62, 64 - 23879 Verderio (LC) - Italy  
Tel. +39 0399515951 - Fax +39 039513257