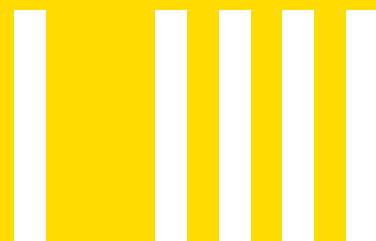
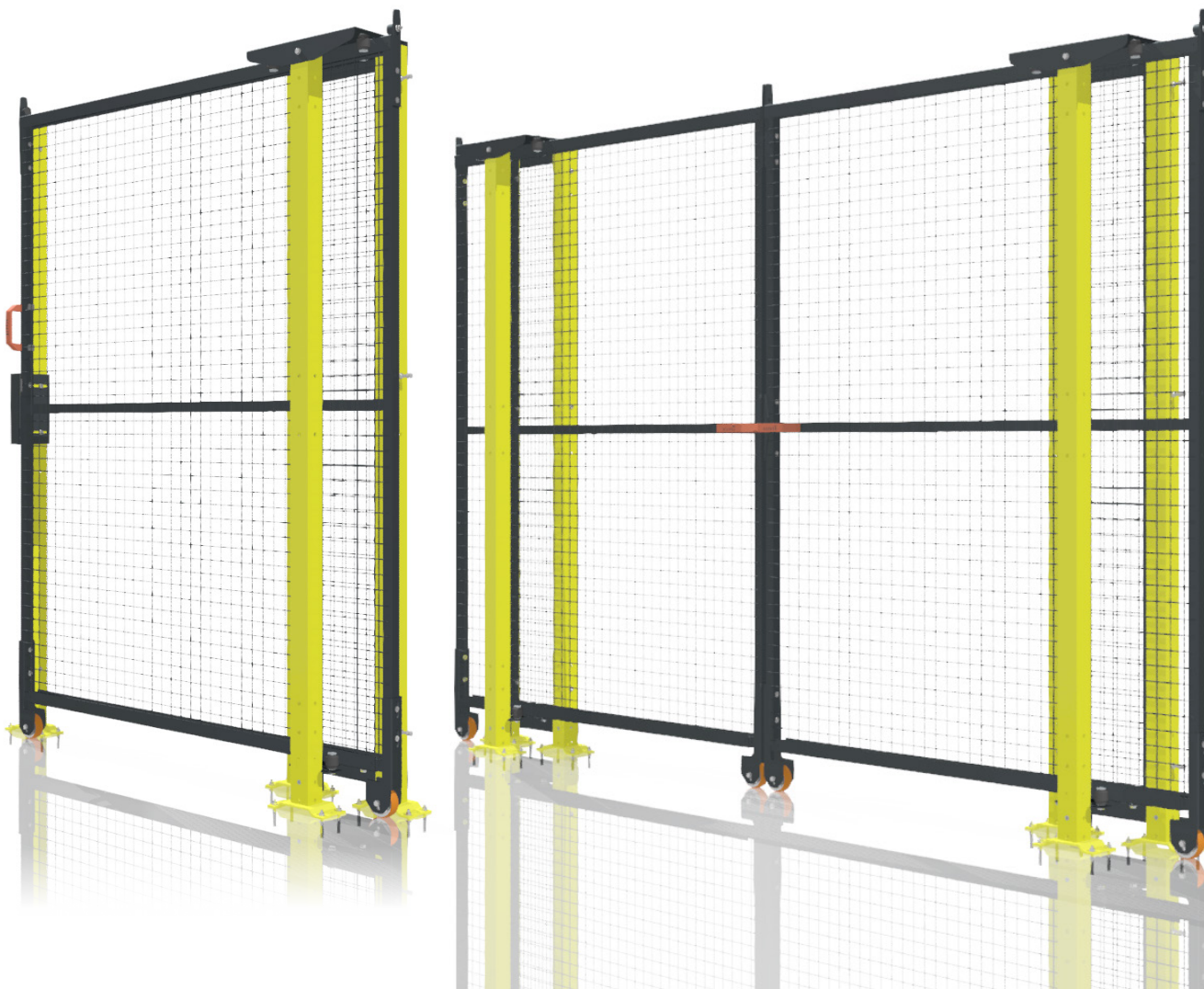


SLIDING ROLLER CONTAINMENT DOOR.

access
SMART SAFEGUARDING

ISTRUZIONI DI MONTAGGIO
ASSEMBLY INSTRUCTION
INSTRUCTIONS DE MONTAGE
MONTAGEANLEITUNG
INSTRUCCIONES DE MONTAJE
NĀVOD NA MONTĀZ
MONTER INGSVEJ LEDNING
NAVODILA ZA VGRADJO
SISTEM INSTRUÇÕES DE MONTAGE

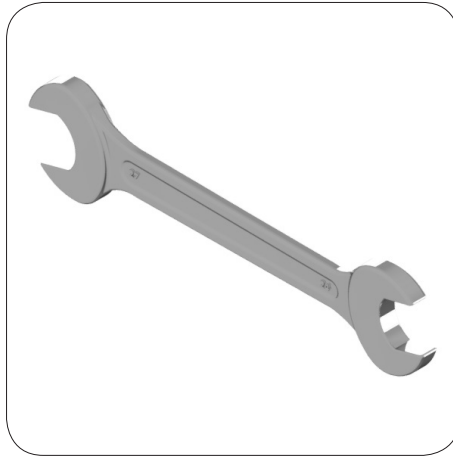
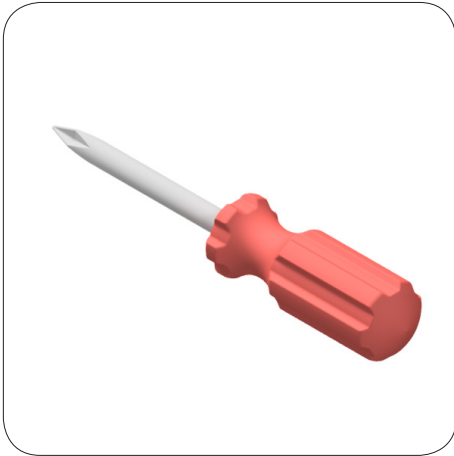


BOX AND LABEL CODE

V	X	D	X	.	S	C	X	X	X	X	X	3	.	X	X	X	X	X	X
1	2	3	4	5	6	7	8	9	10	11	12	13	14	15	16	17	18	19	20



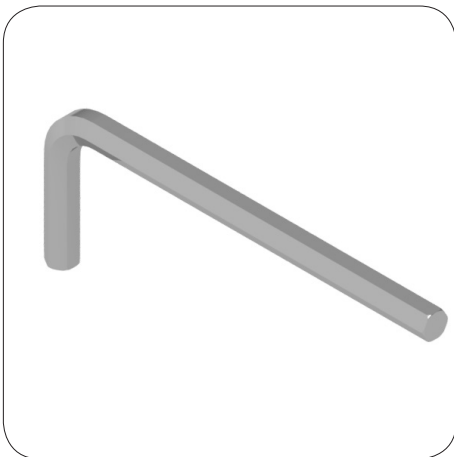
TOOLS



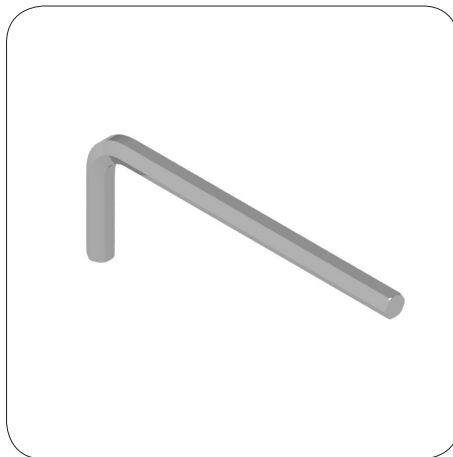
13MM



7MM



5MM




2,5 MM





V	X	D	X	.	S	C	X	X	X	X	X	3	.	X	X	X	X	X	X
1	2	3	4	5	6	7	8	9	10	11	12	13	14	15	16	17	18	19	20


C


11









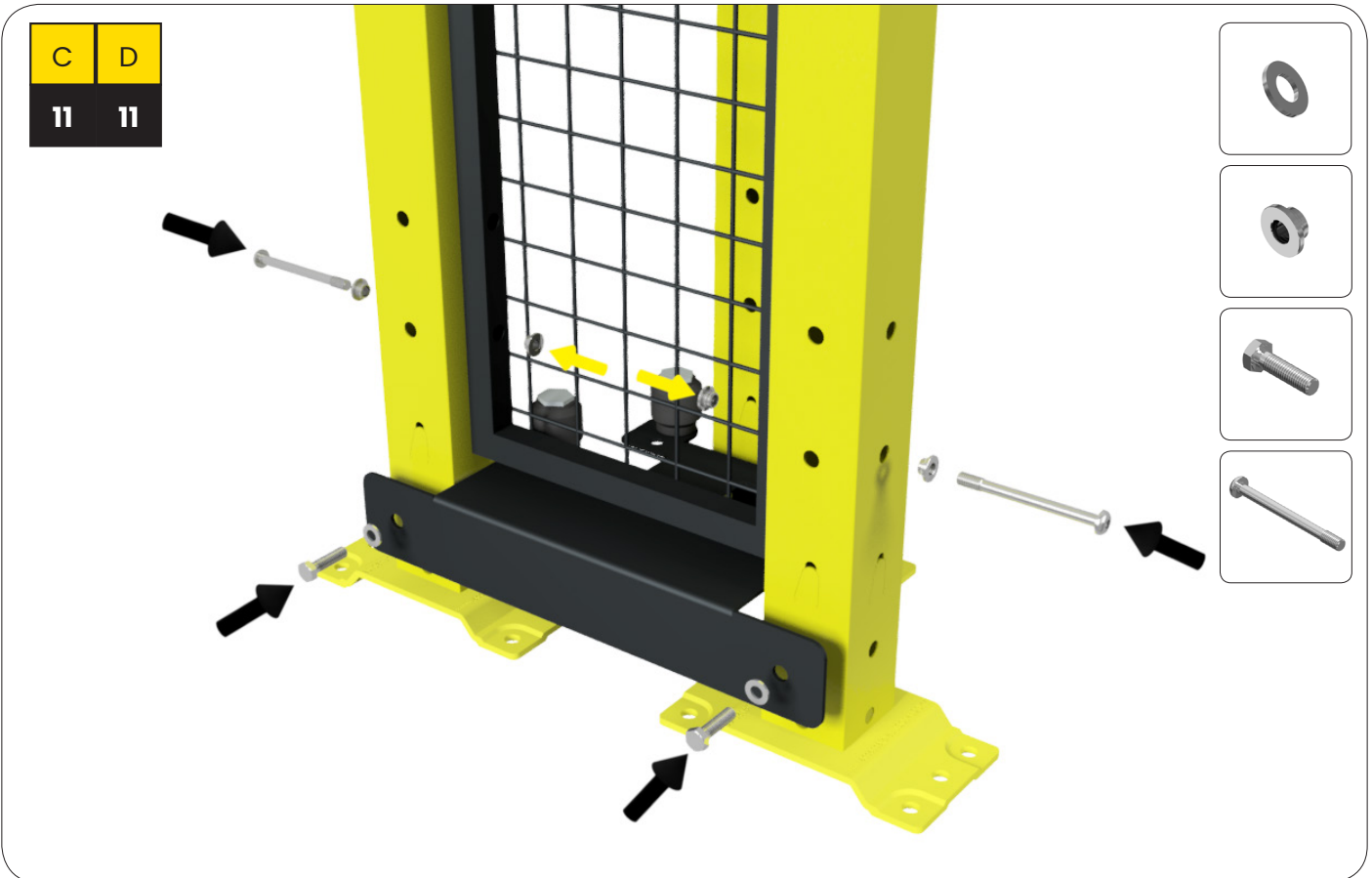
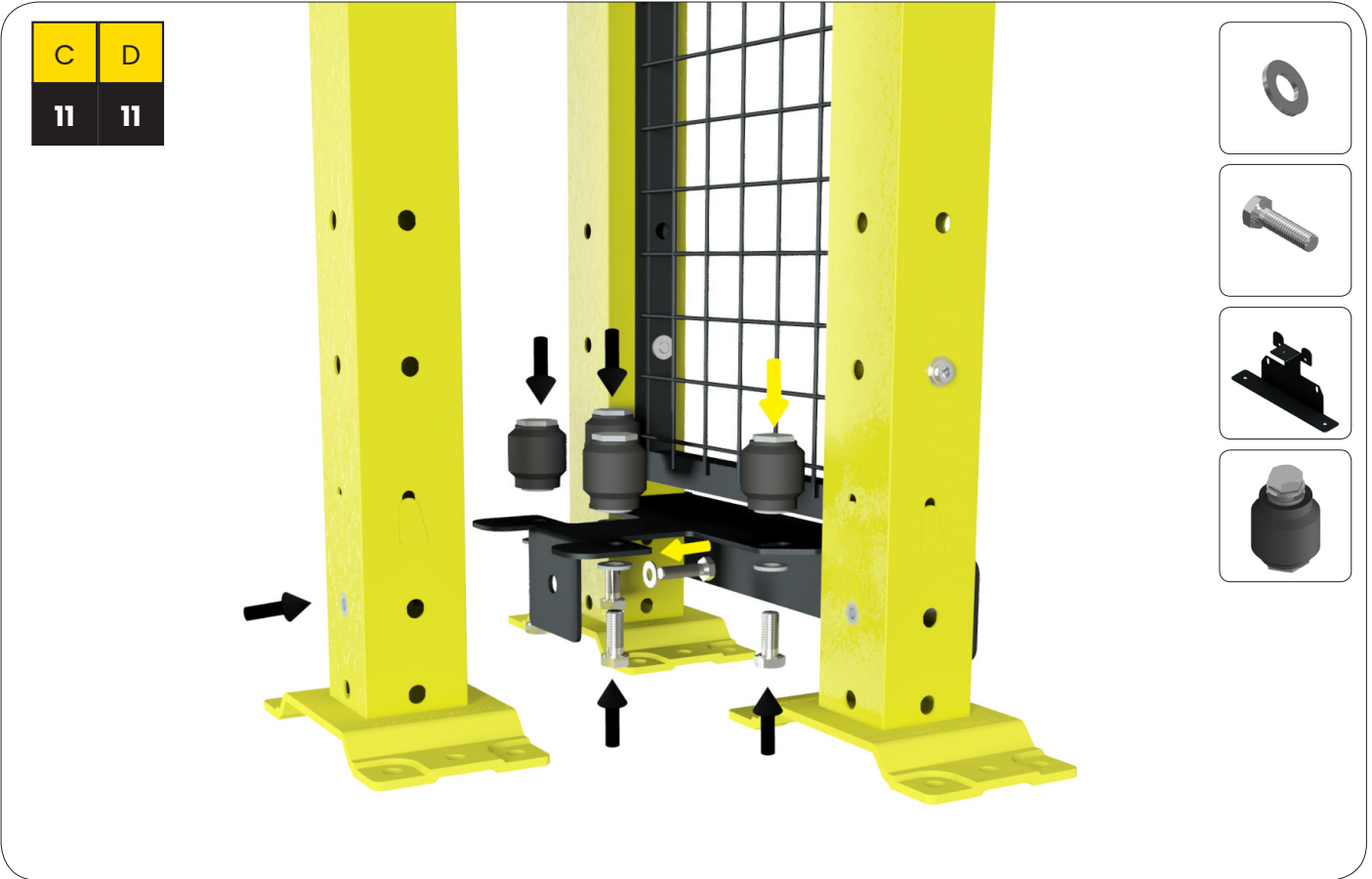


D

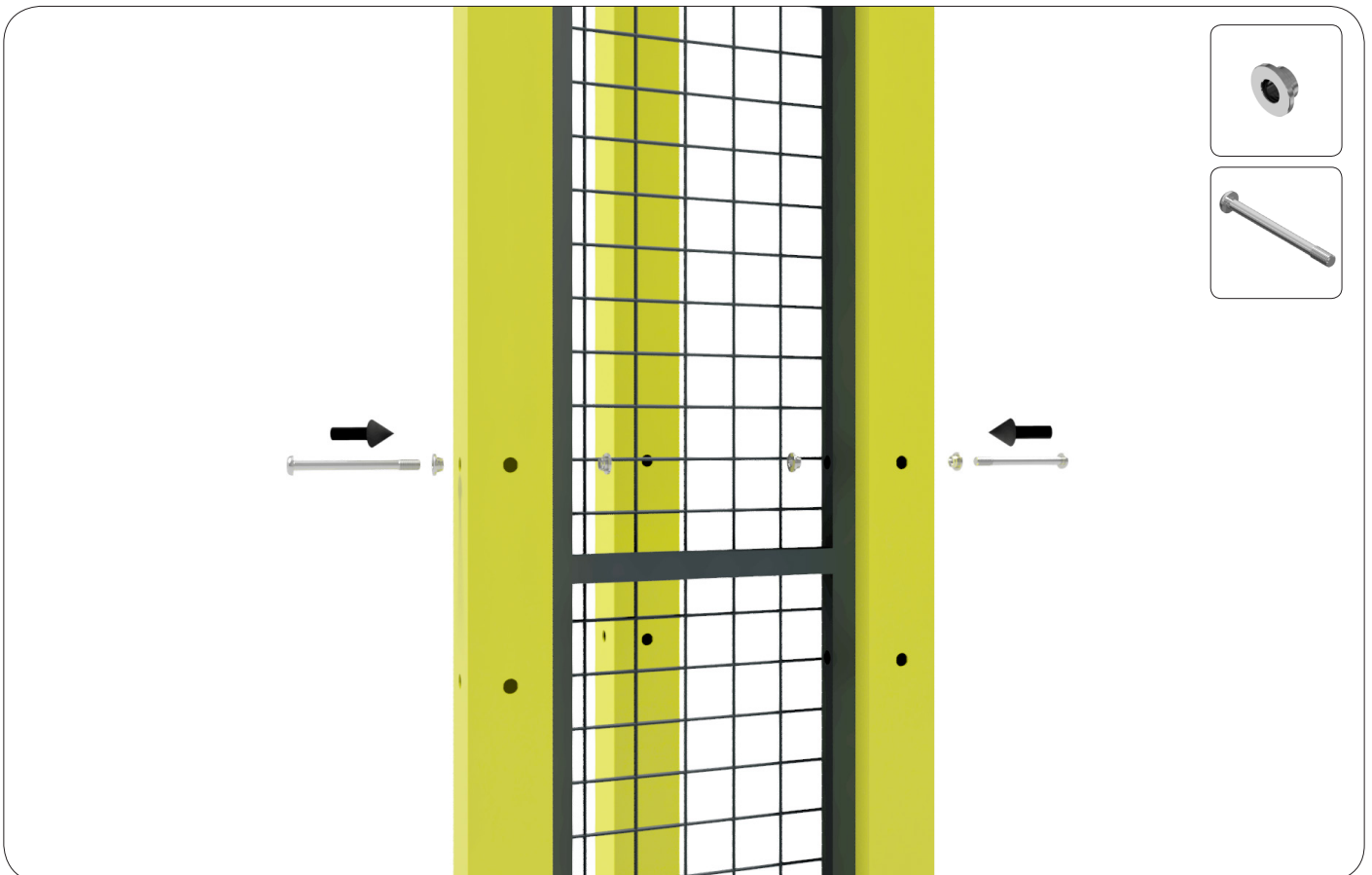
11

V	X	D	X	.	S	C	X	X	X	X	X	3	.	X	X	X	X	X	X
1	2	3	4	5	6	7	8	9	10	11	12	13	14	15	16	17	18	19	20

ASSEMBLY PHASE 2.

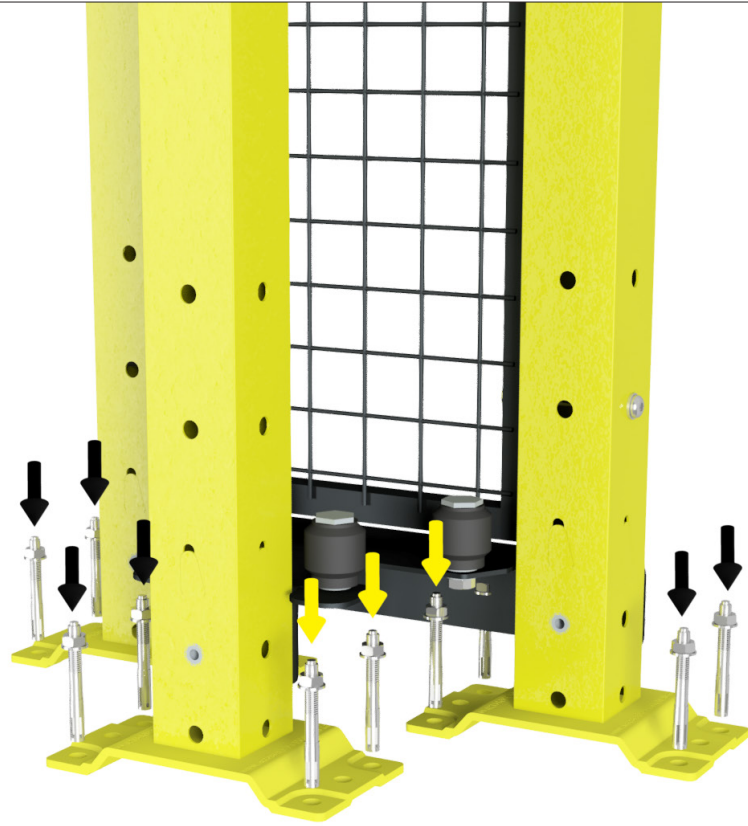


V	X	D	X	.	S	C	X	X	X	X	X	3	.	X	X	X	X	X	X
1	2	3	4	5	6	7	8	9	10	11	12	13	14	15	16	17	18	19	20

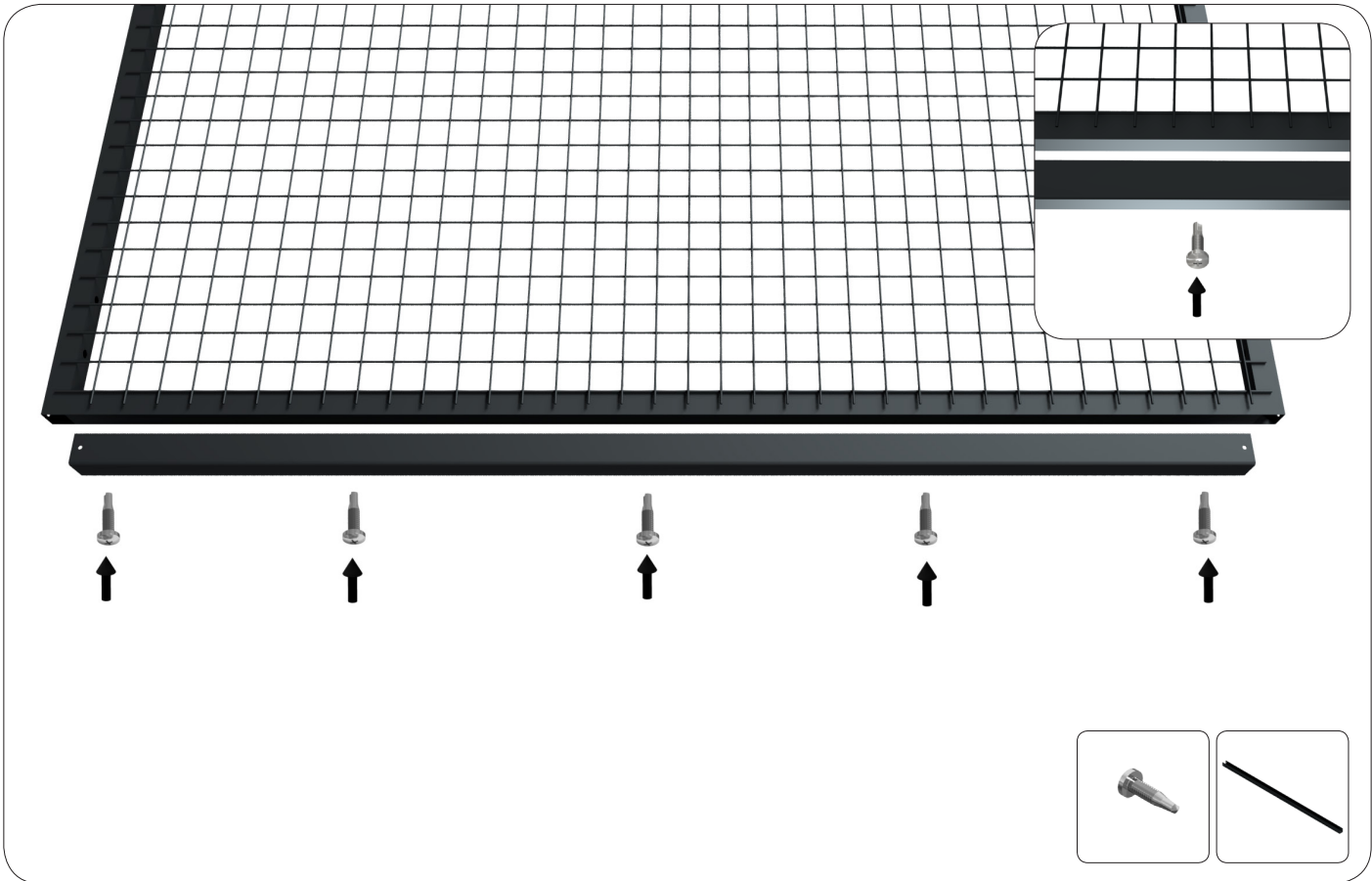
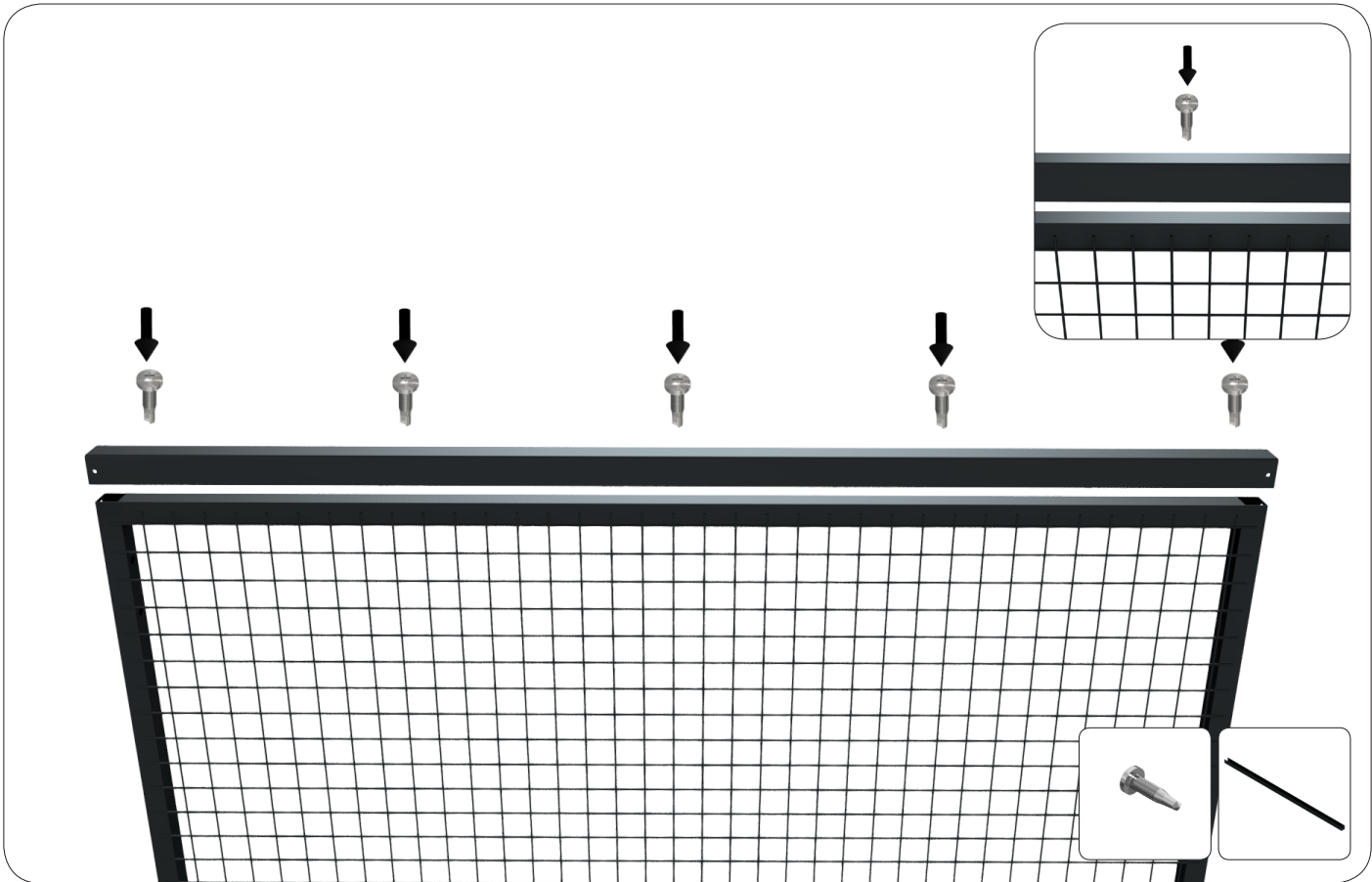


V	X	D	X	.	S	C	X	X	X	X	X	3	.	X	X	X	X	X	X
1	2	3	4	5	6	7	8	9	10	11	12	13	14	15	16	17	18	19	20

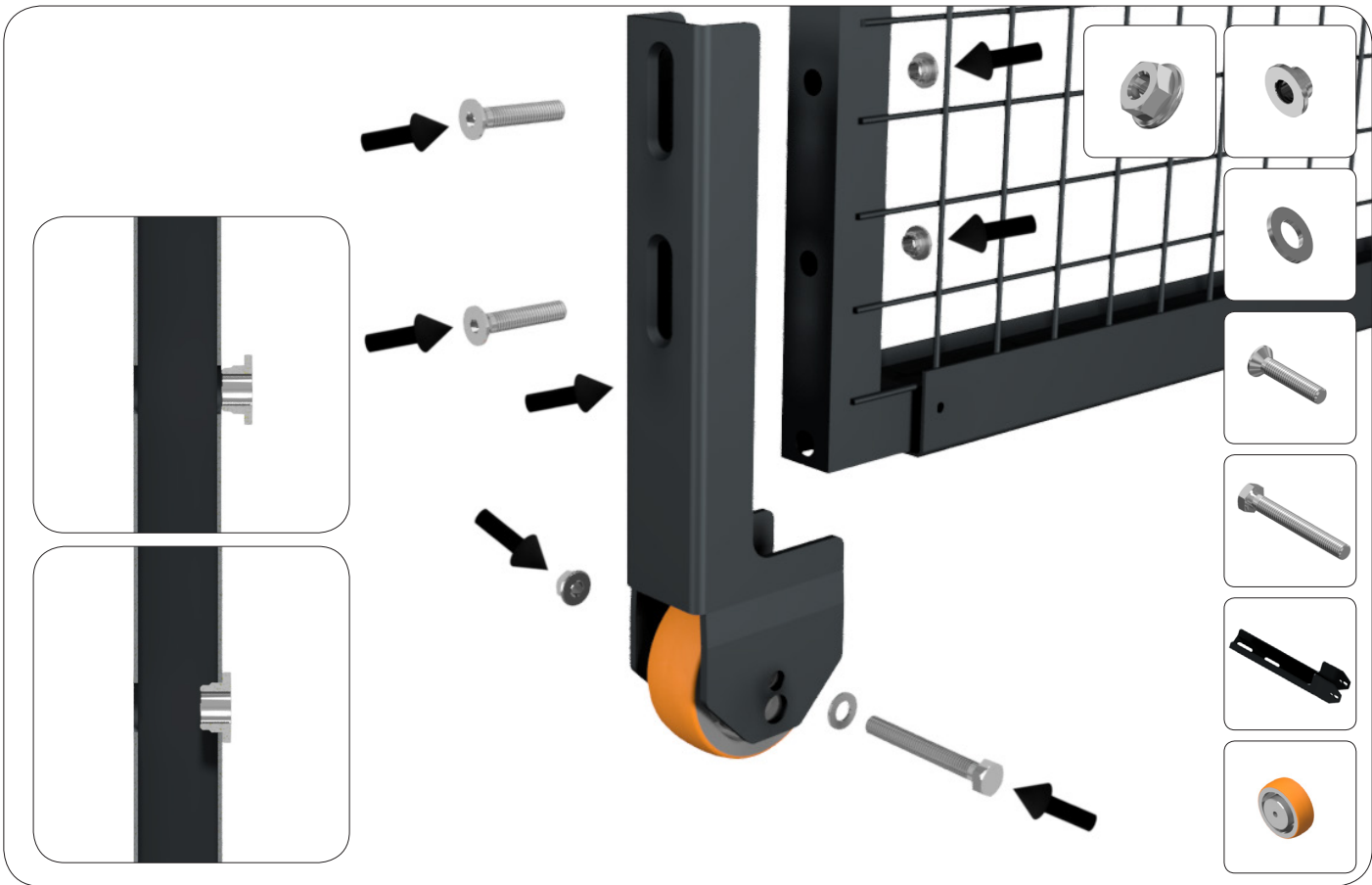
C	D
11	11



V	X	D	X	.	S	C	X	X	X	X	X	3	.	X	X	X	X	X	X
1	2	3	4	5	6	7	8	9	10	11	12	13	14	15	16	17	18	19	20

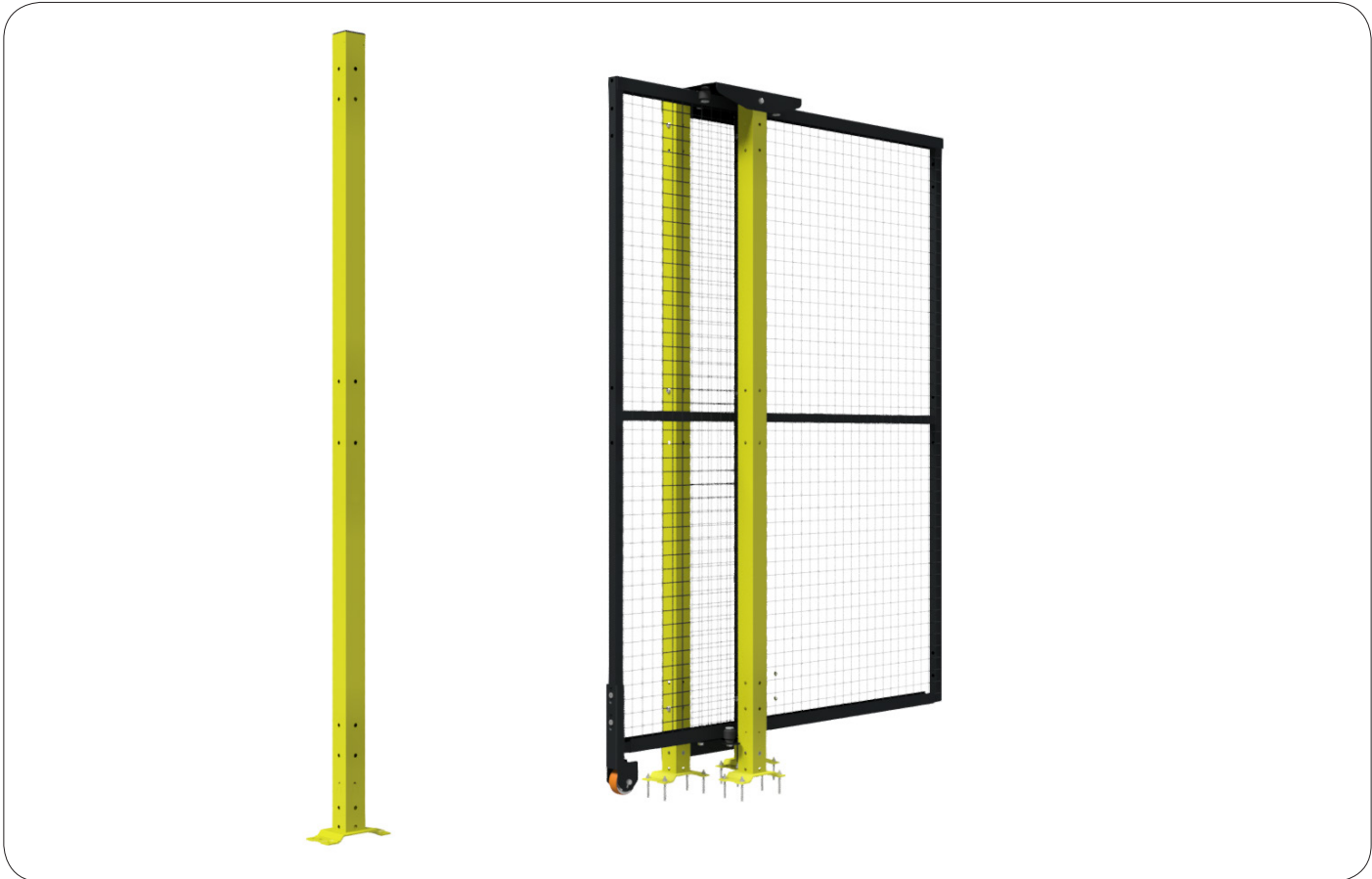
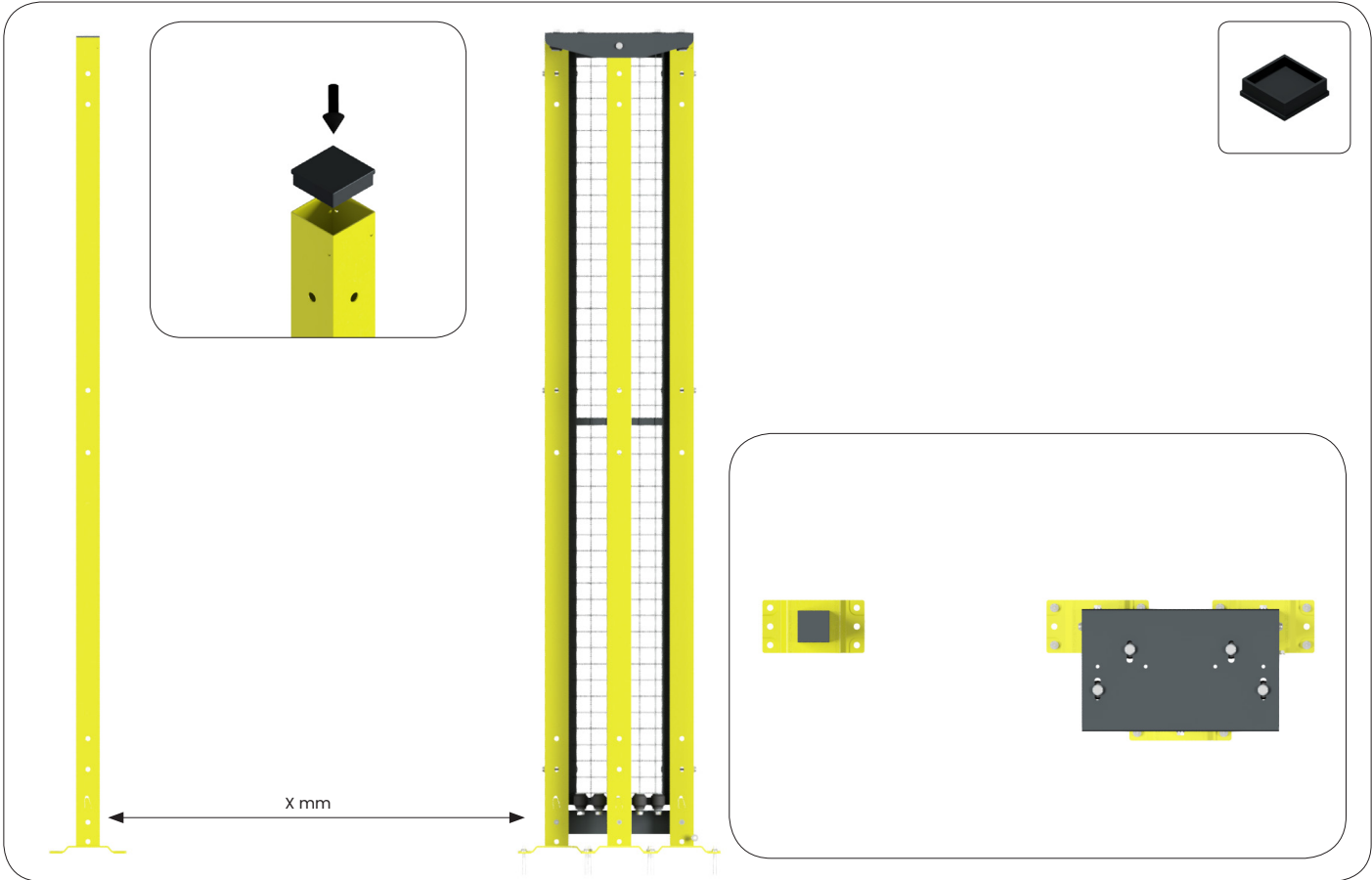


V	X	D	X	.	S	C	X	X	X	X	X	3	.	X	X	X	X	X	X
1	2	3	4	5	6	7	8	9	10	11	12	13	14	15	16	17	18	19	20

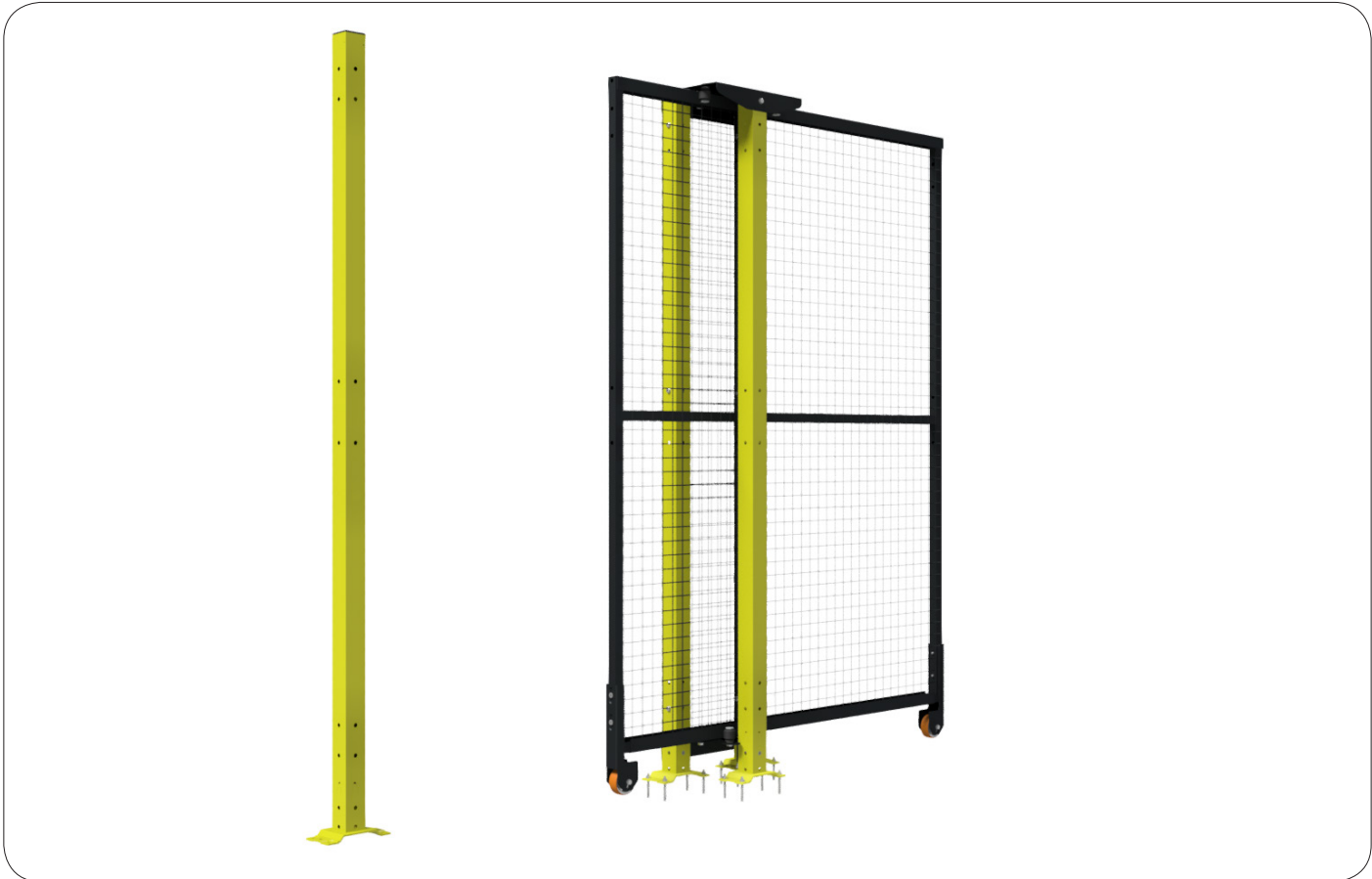
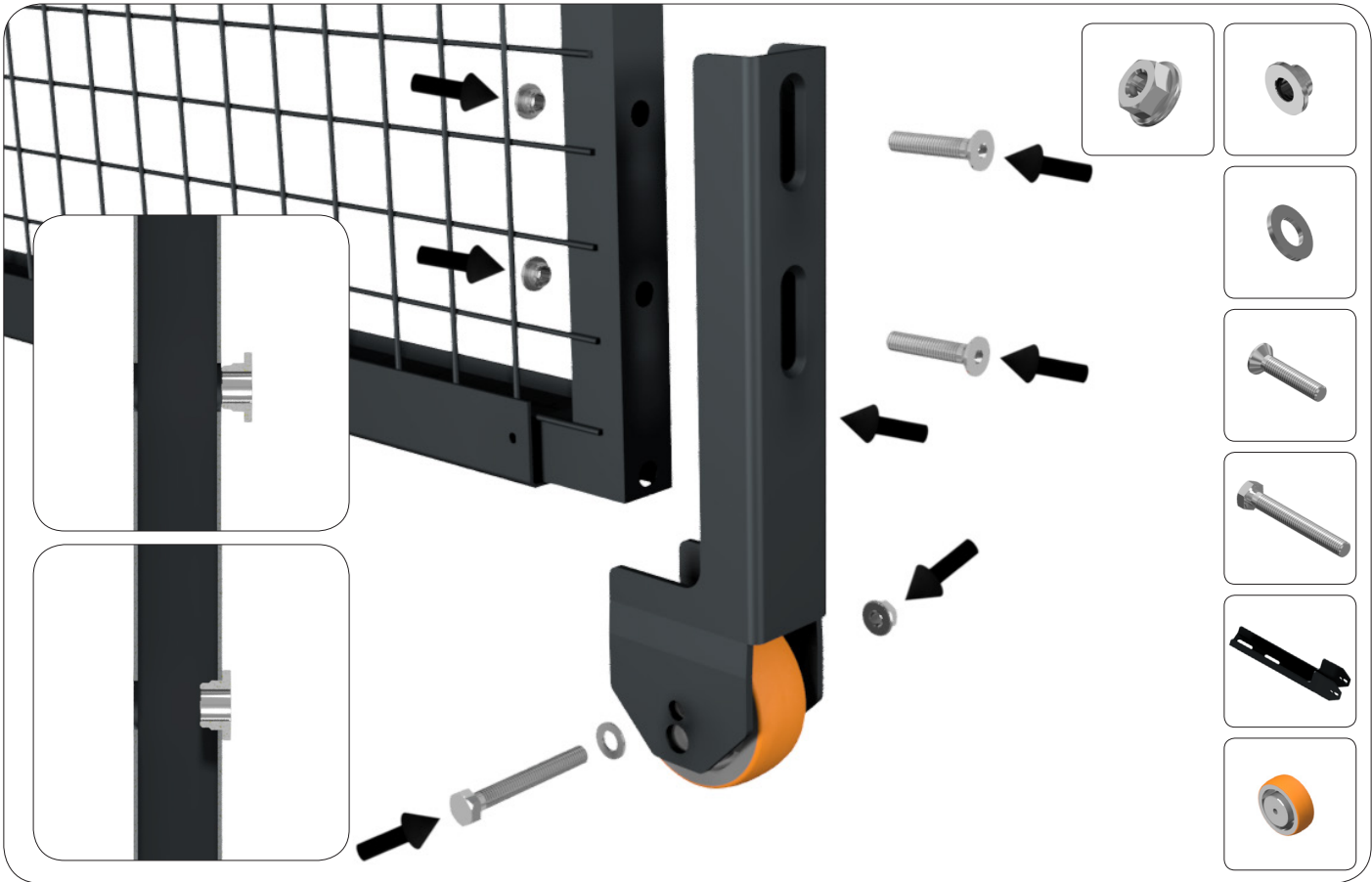


ASSEMBLY PHASE 4.

V	X	D	X	.	S	C	1	A	X	X	X	3	.	X	X	X	X	X	X
1	2	3	4	5	6	7	8	9	10	11	12	13	14	15	16	17	18	19	20

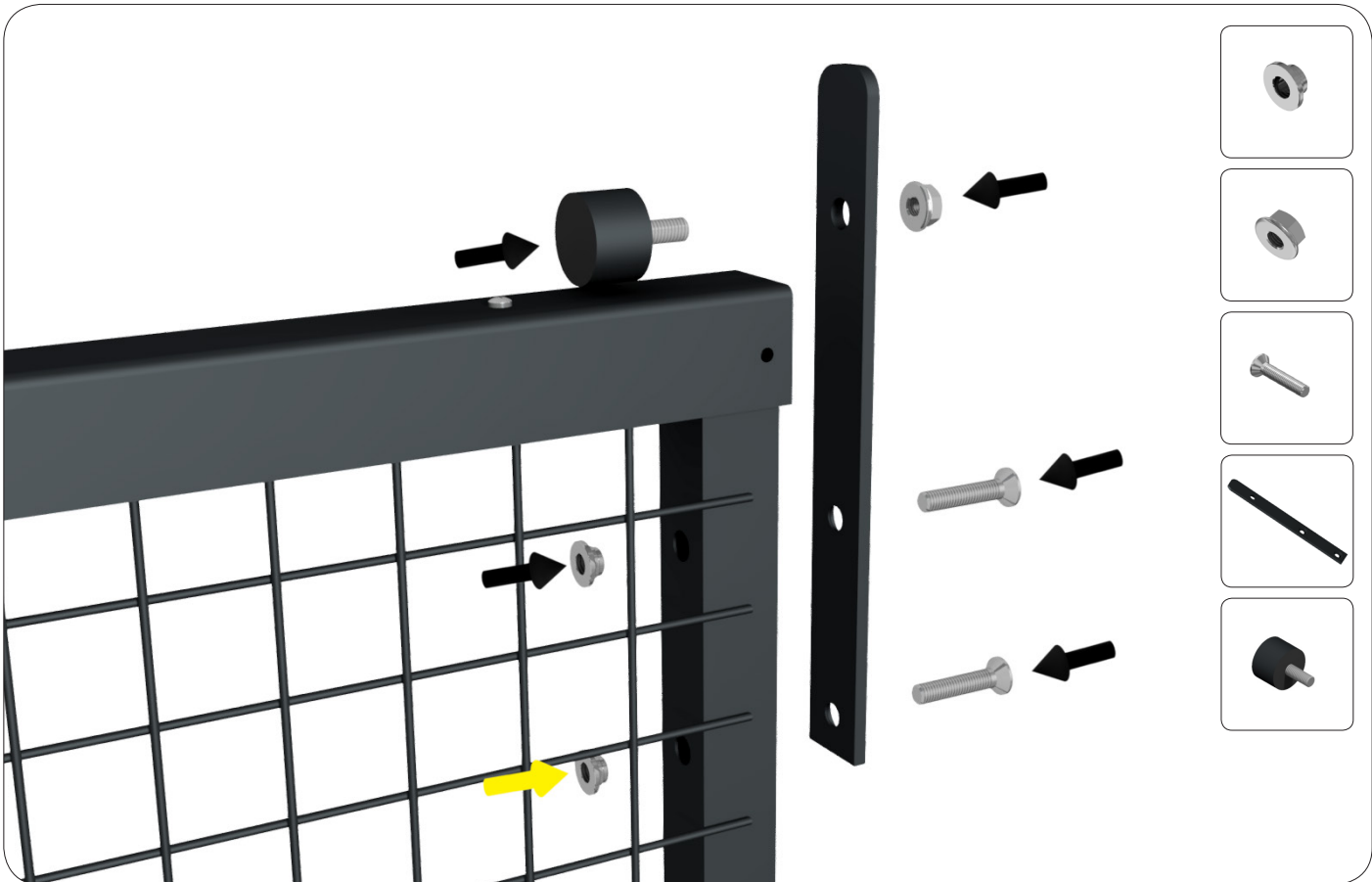


V	X	D	X	.	S	C	1	A	X	X	X	3	.	X	X	X	X	X	X
1	2	3	4	5	6	7	8	9	10	11	12	13	14	15	16	17	18	19	20



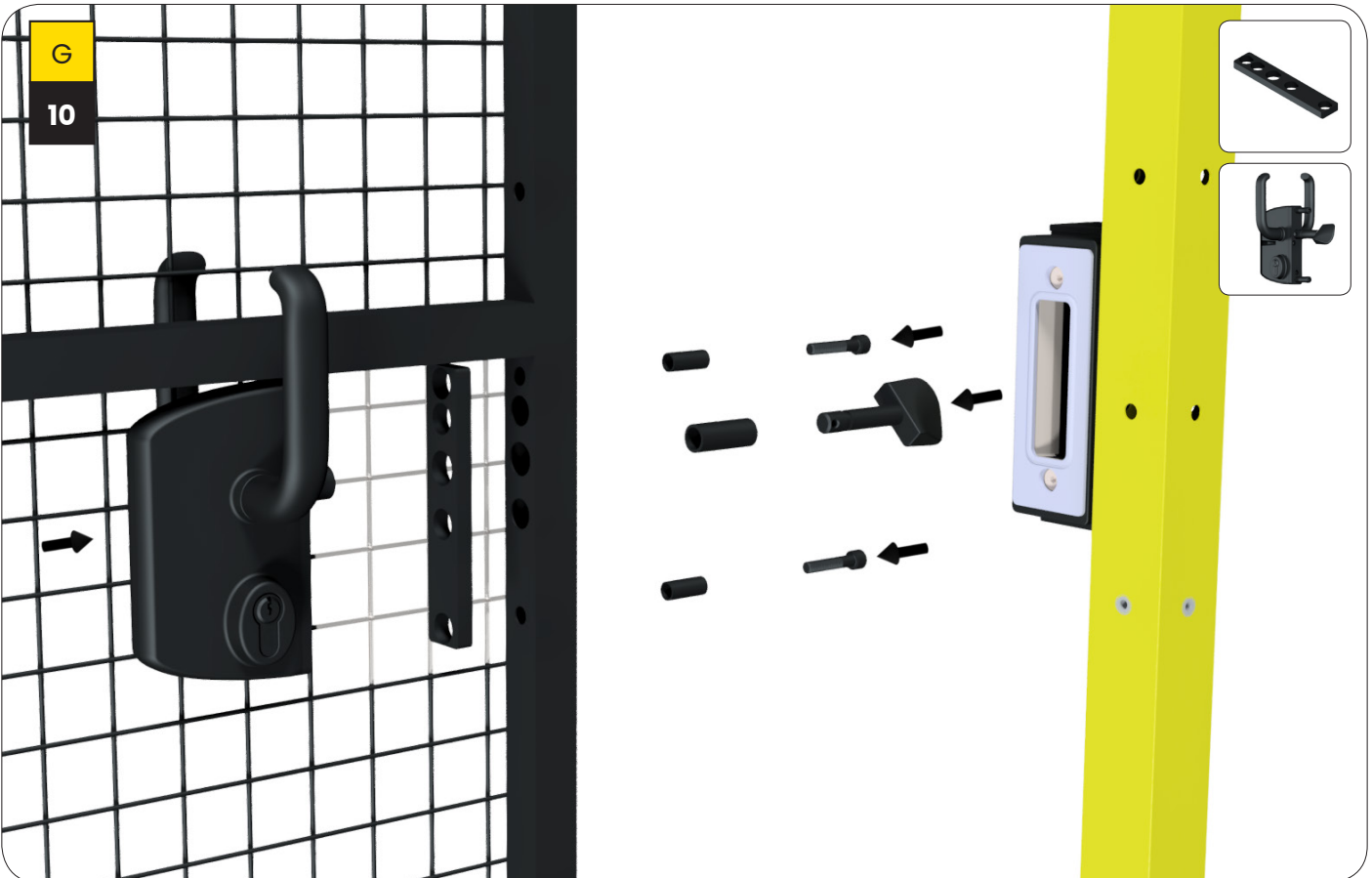
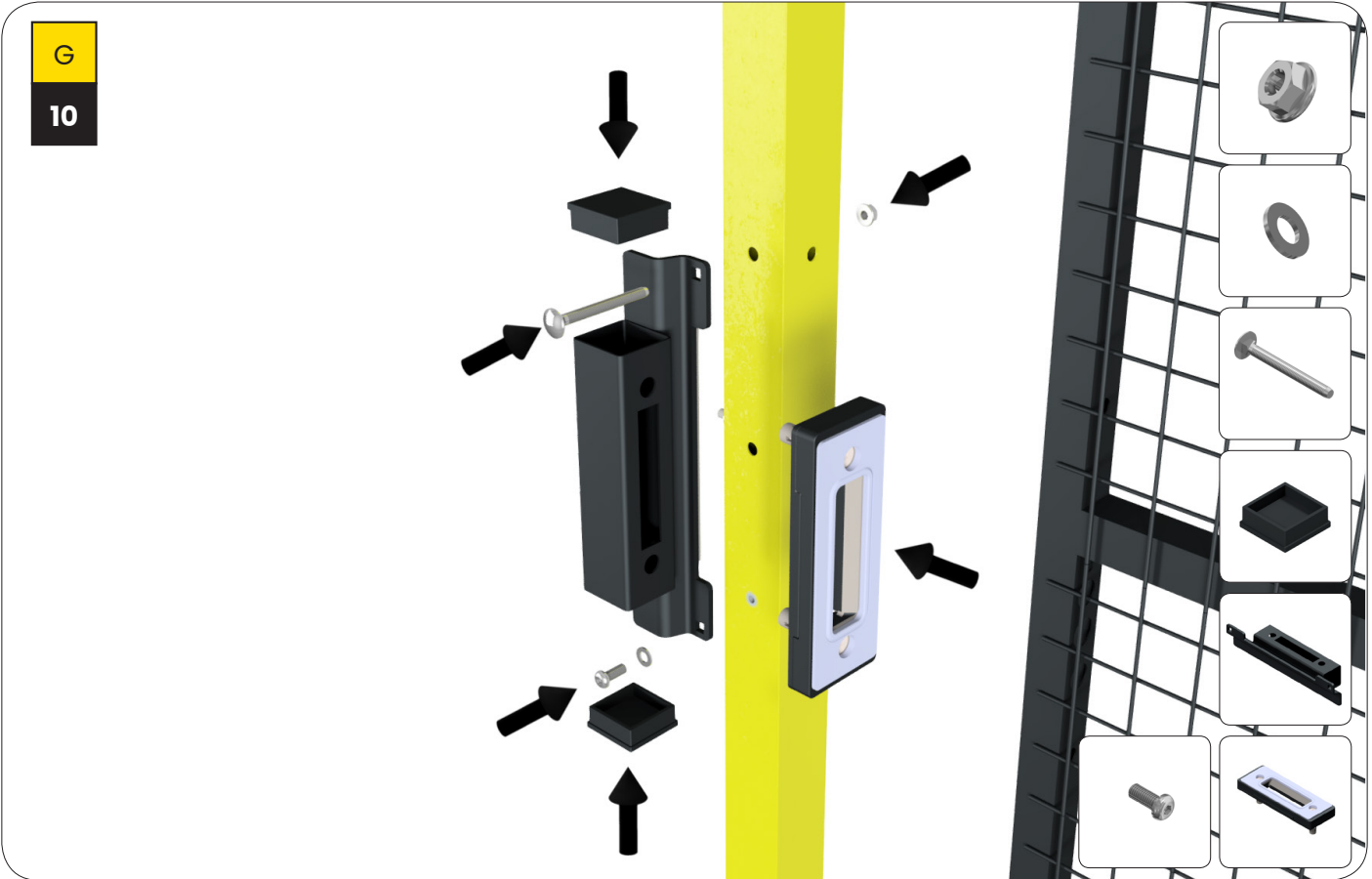
ASSEMBLY PHASE 6.

V	X	D	X	.	S	C	1	A	X	X	X	3	.	X	X	X	X	X	X
1	2	3	4	5	6	7	8	9	10	11	12	13	14	15	16	17	18	19	20

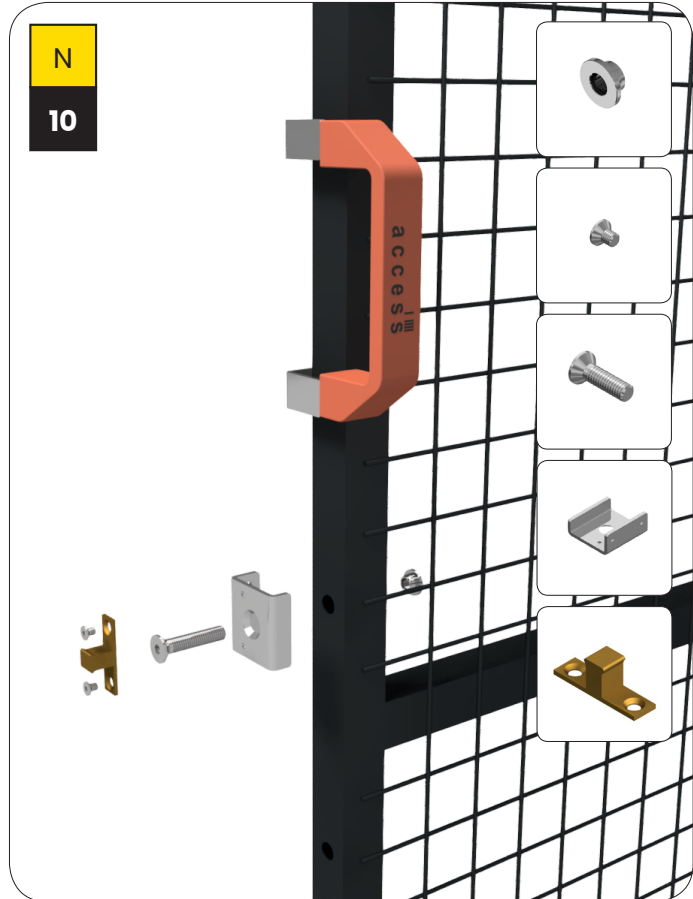
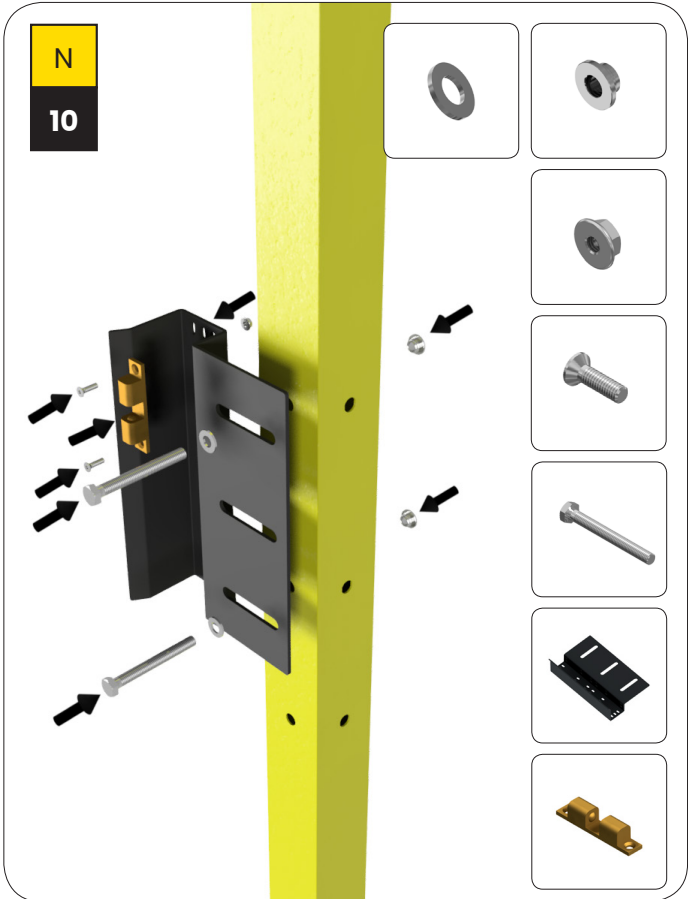
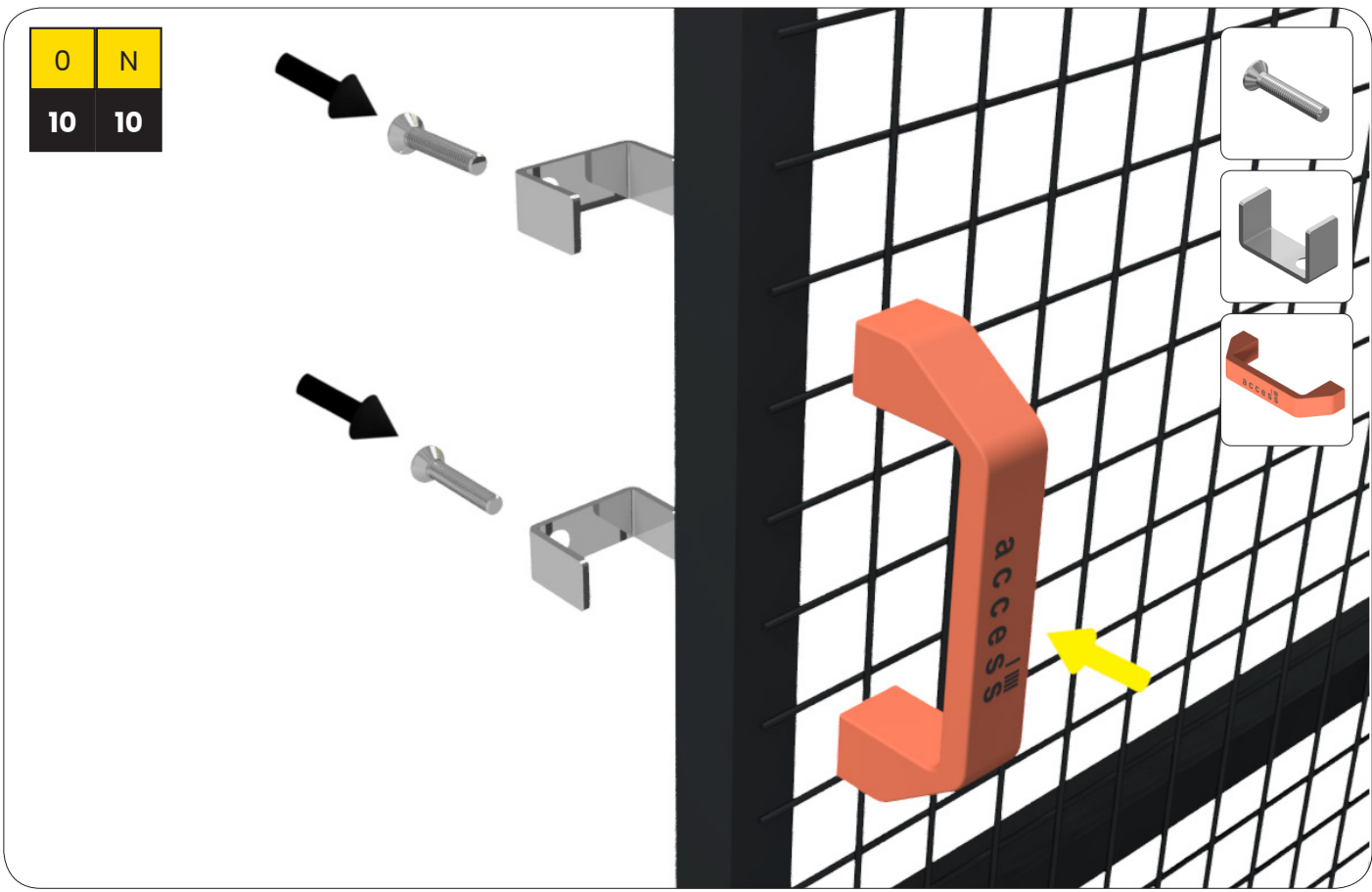


V	X	D	X	.	S	C	I	A	G	X	X	3	.	X	X	X	X	X	X
1	2	3	4	5	6	7	8	9	10	11	12	13	14	15	16	17	18	19	20

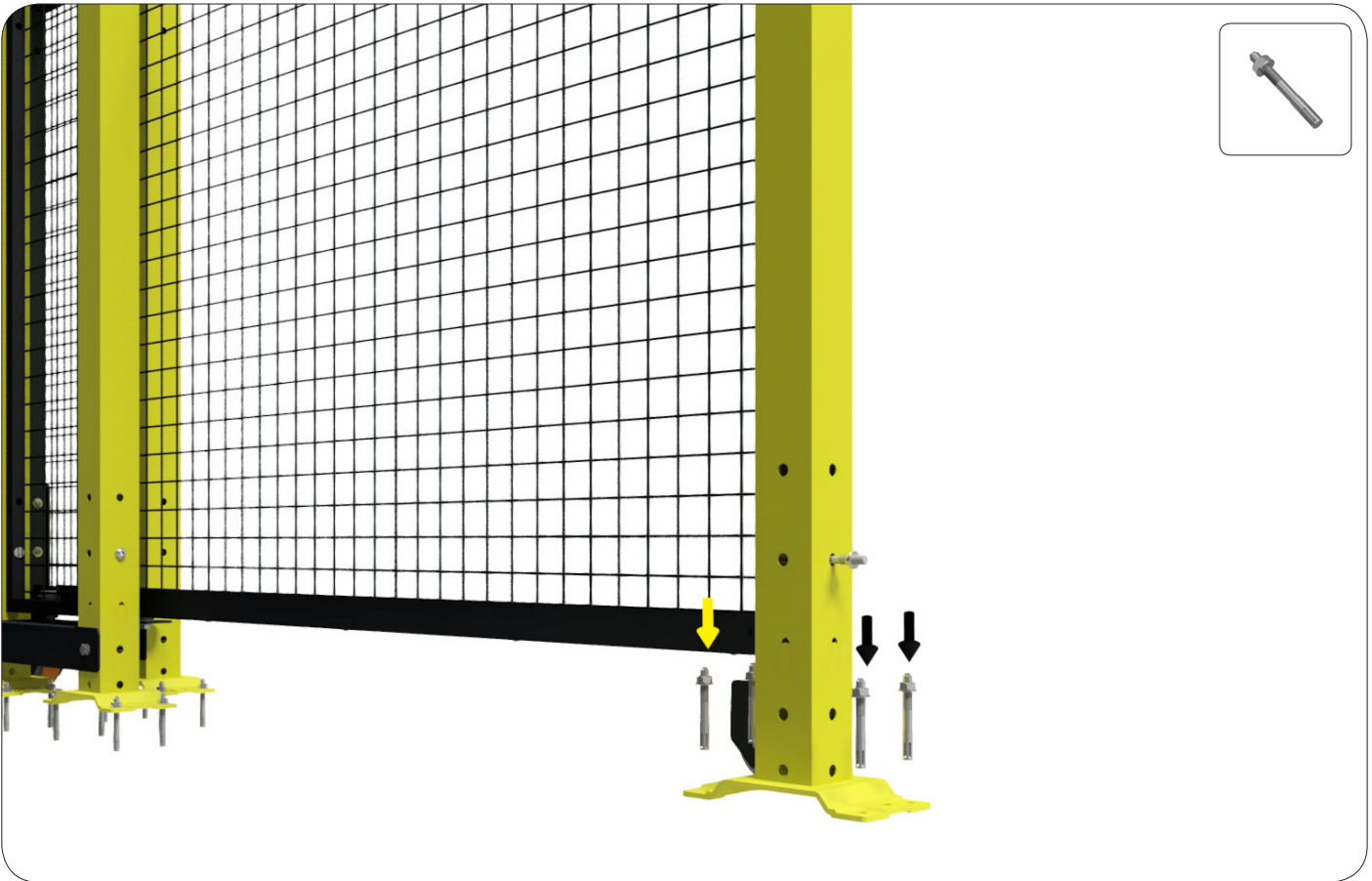
ASSEMBLY PHASE 8.



V	X	D	X	.	S	C	1	A	X	X	X	3	.	X	X	X	X	X	X
1	2	3	4	5	6	7	8	9	10	11	12	13	14	15	16	17	18	19	20

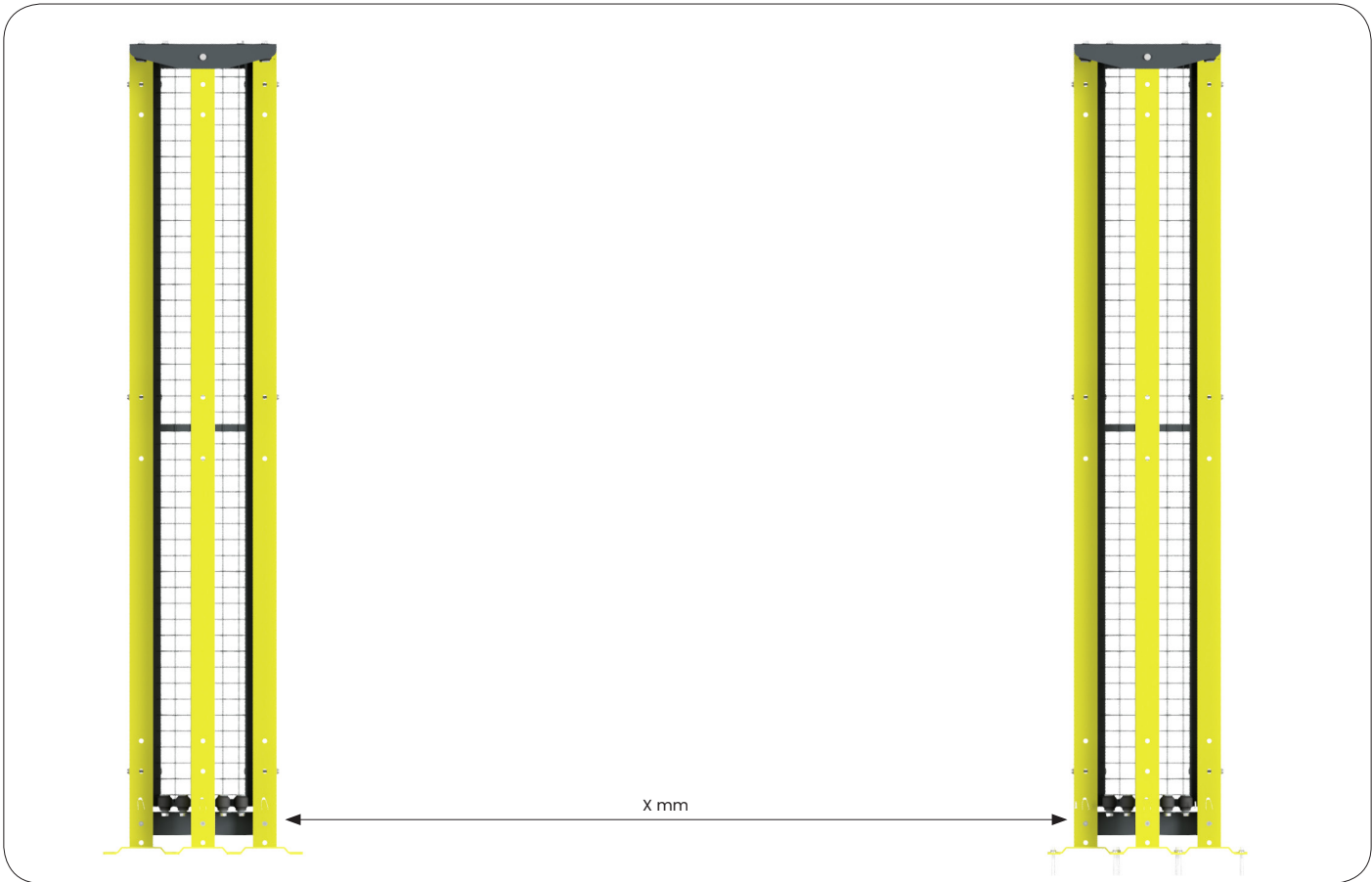


V	X	D	X	.	S	C	1	A	X	X	X	3	.	X	X	X	X	X	X
1	2	3	4	5	6	7	8	9	10	11	12	13	14	15	16	17	18	19	20

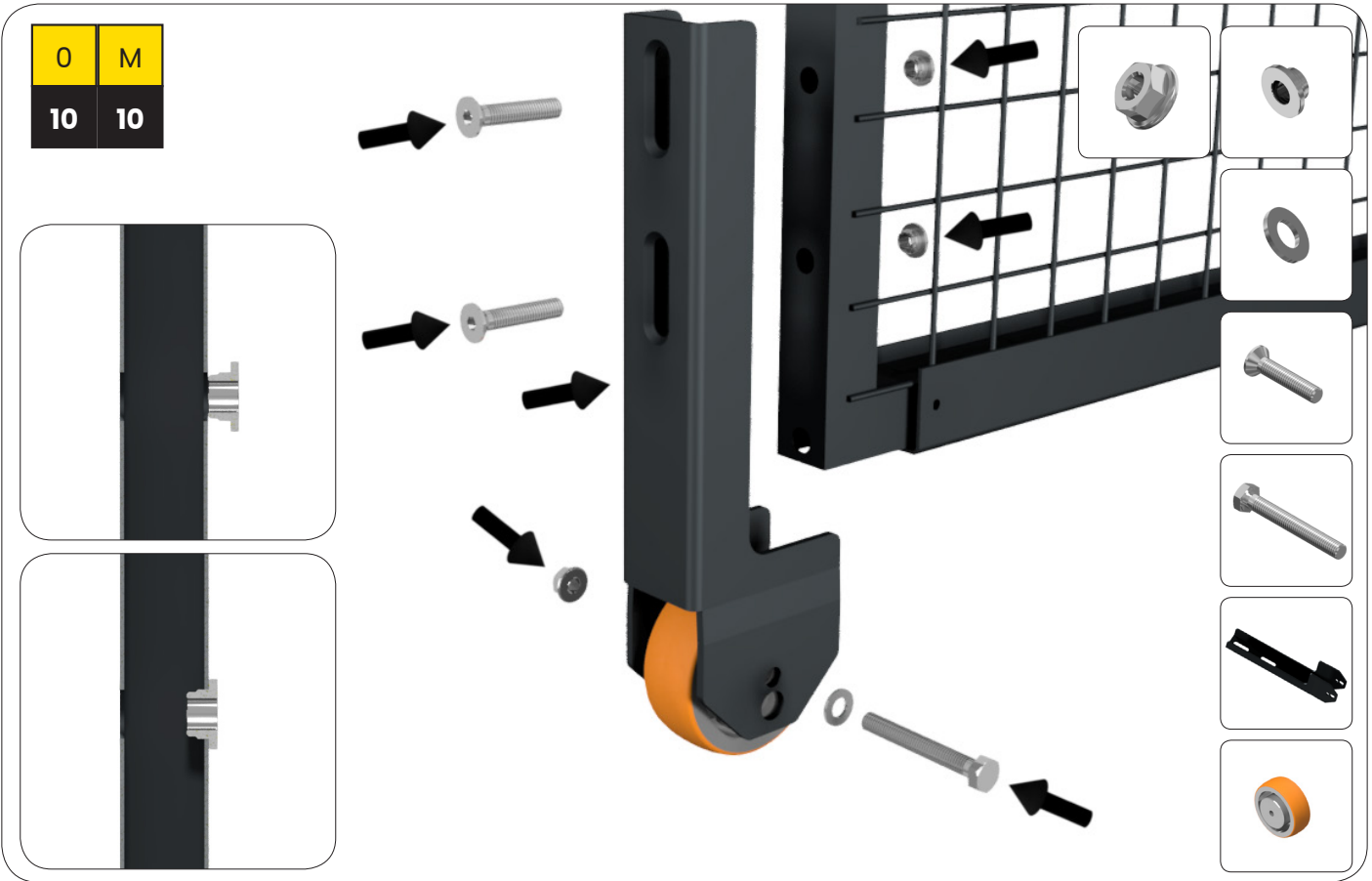


ASSEMBLY PHASE 9.

V	X	D	X	.	S	C	1	B	X	X	X	3	.	X	X	X	X	X	X
1	2	3	4	5	6	7	8	9	10	11	12	13	14	15	16	17	18	19	20

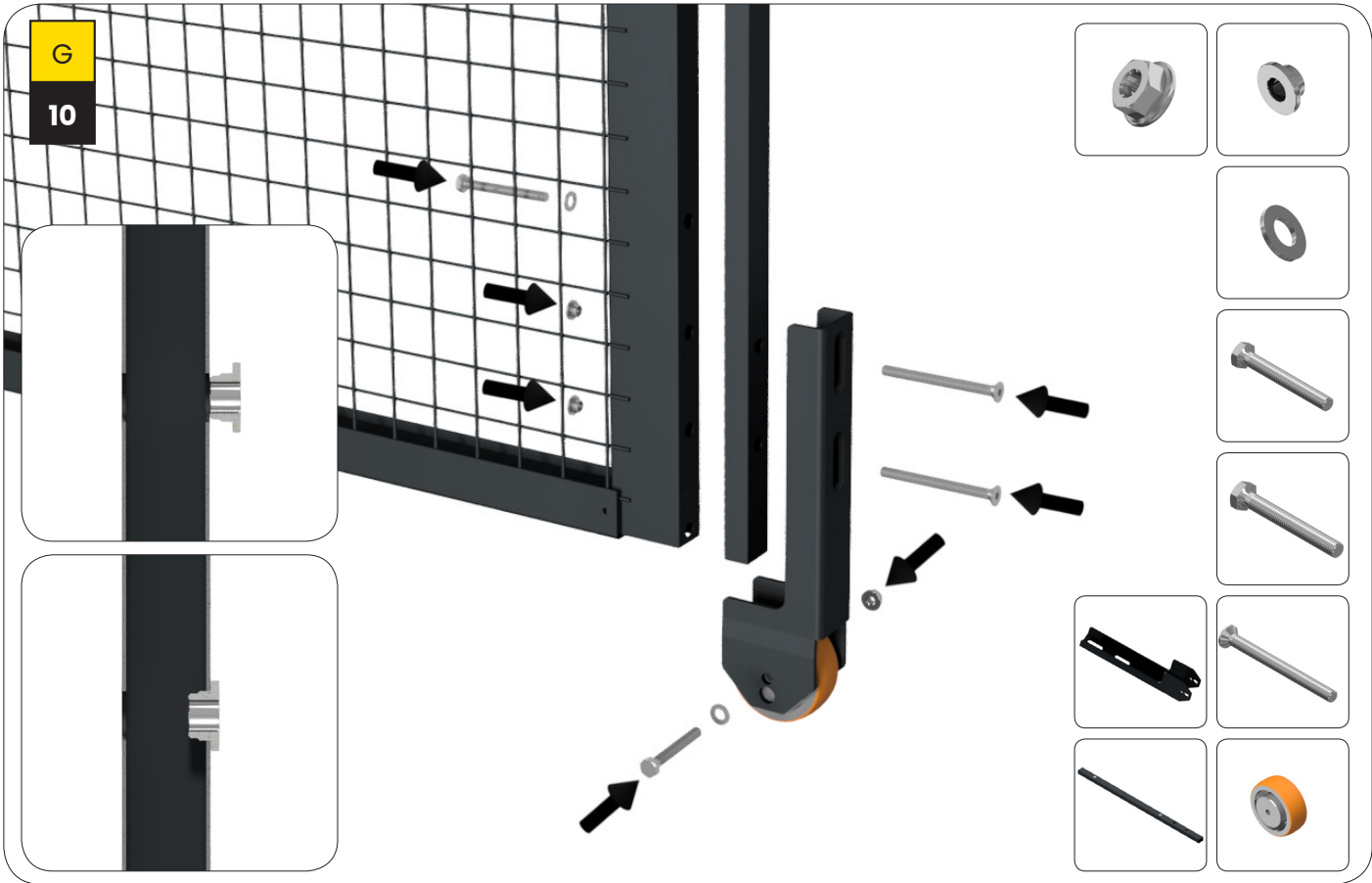


V	X	D	X	.	S	C	1	B	X	X	X	3	.	X	X	X	X	X	X
1	2	3	4	5	6	7	8	9	10	11	12	13	14	15	16	17	18	19	20



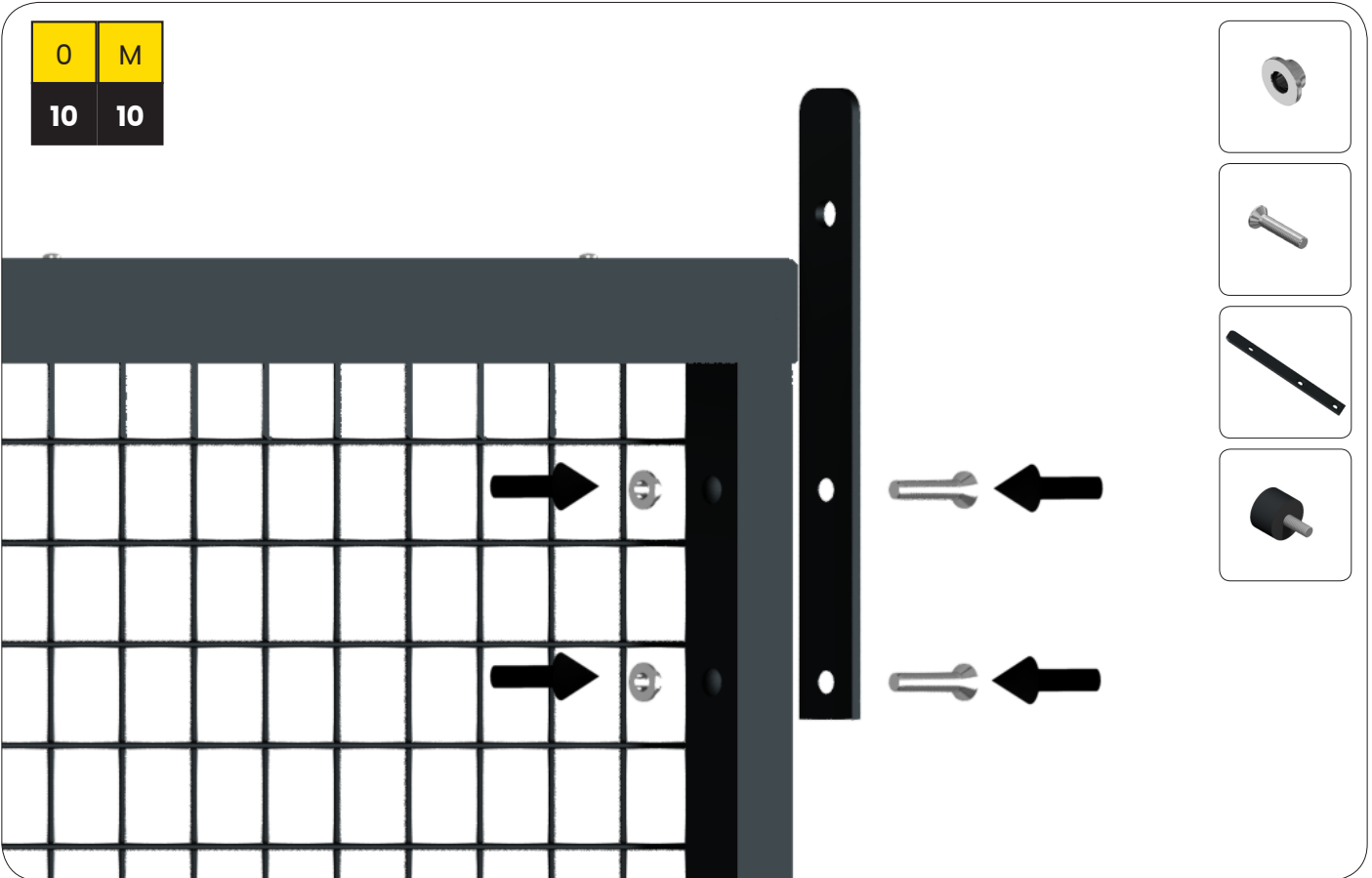
ASSEMBLY PHASE 6.

V	X	D	X	.	S	C	I	B	G	X	X	3	.	X	X	X	X	X	X
1	2	3	4	5	6	7	8	9	10	11	12	13	14	15	16	17	18	19	20



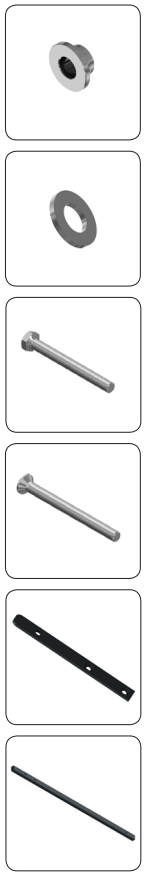
V	X	D	X	.	S	C	1	B	X	X	X	3	.	X	X	X	X	X	X
1	2	3	4	5	6	7	8	9	10	11	12	13	14	15	16	17	18	19	20

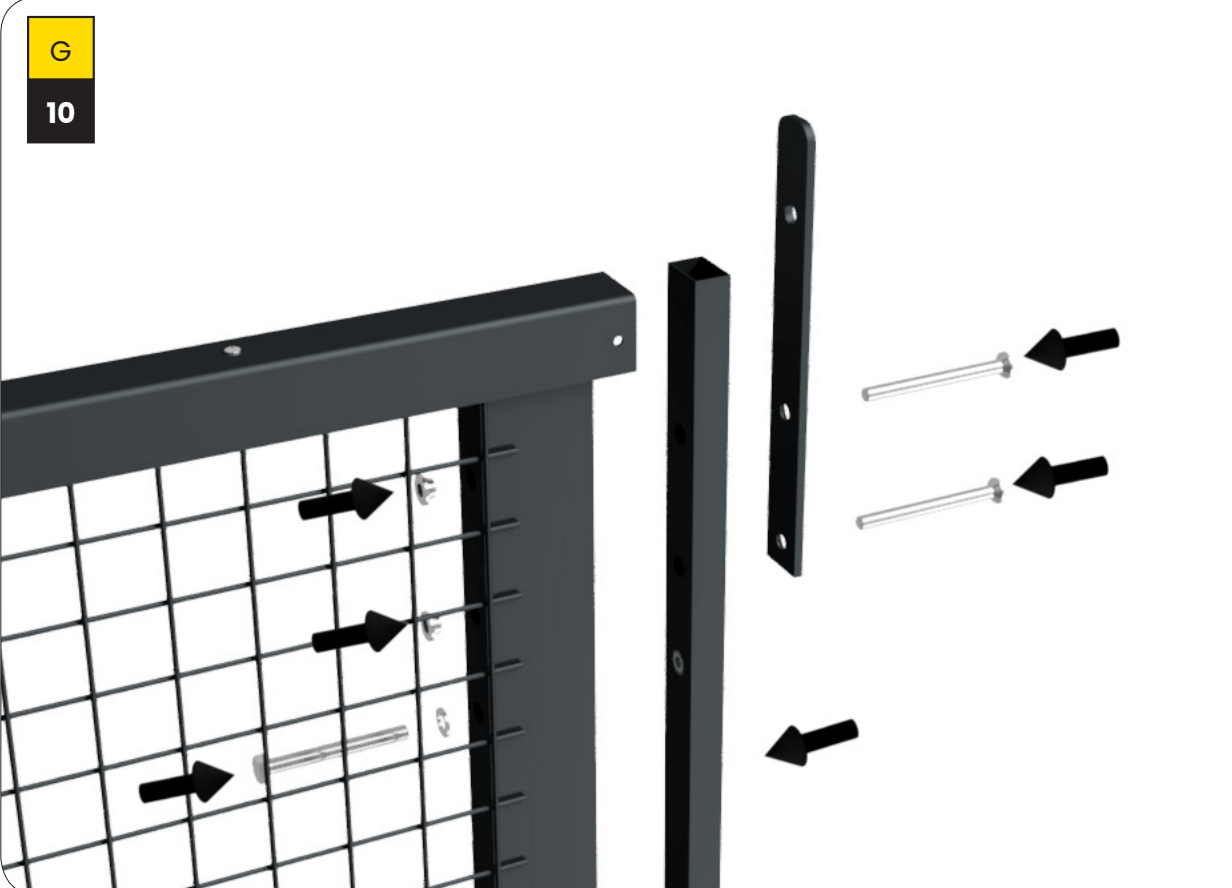
ASSEMBLY PHASE 7.



V	X	D	X	.	S	C	1	B	G	X	X	3	.	X	X	X	X	X	X
1	2	3	4	5	6	7	8	9	10	11	12	13	14	15	16	17	18	19	20

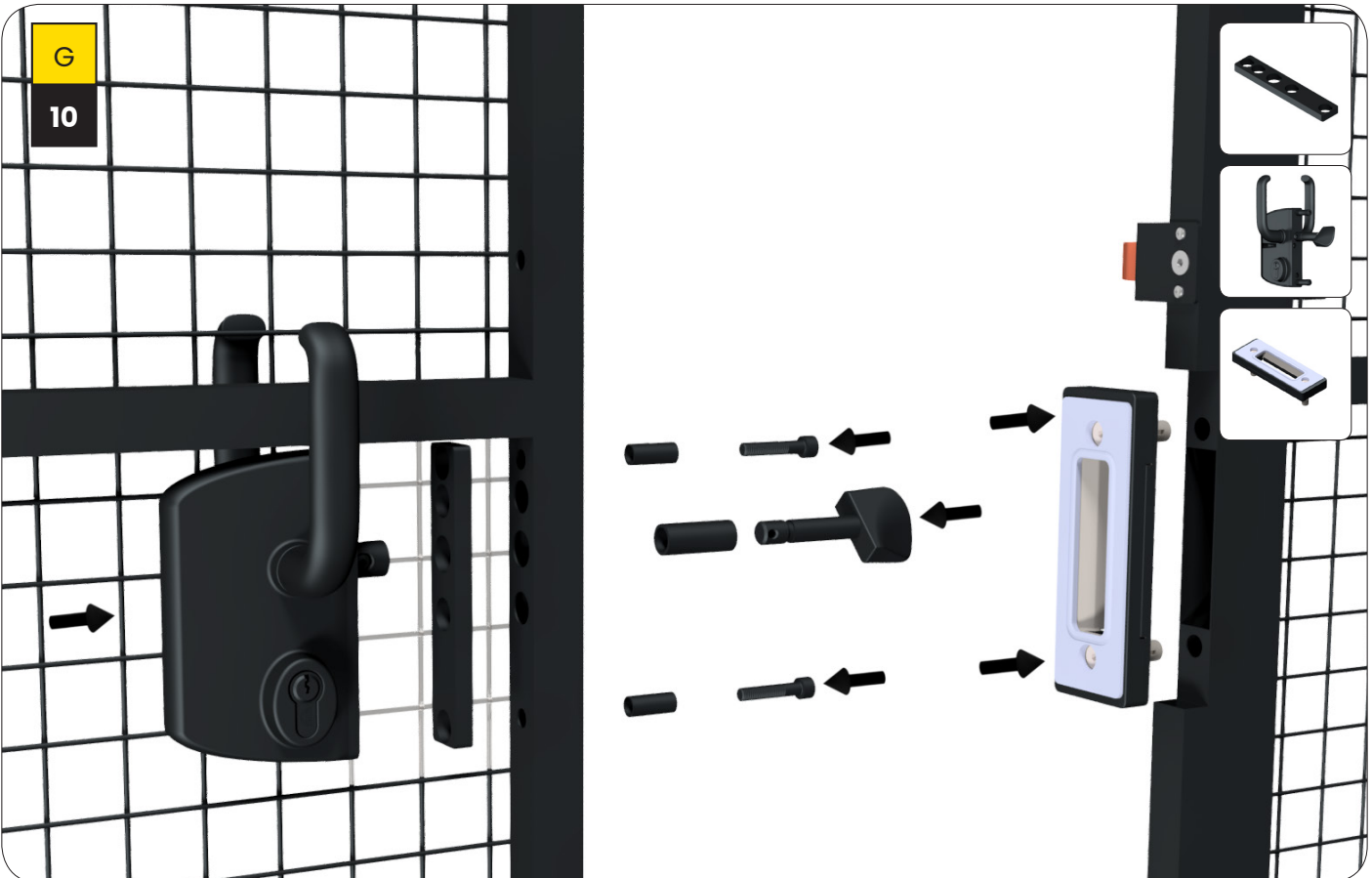
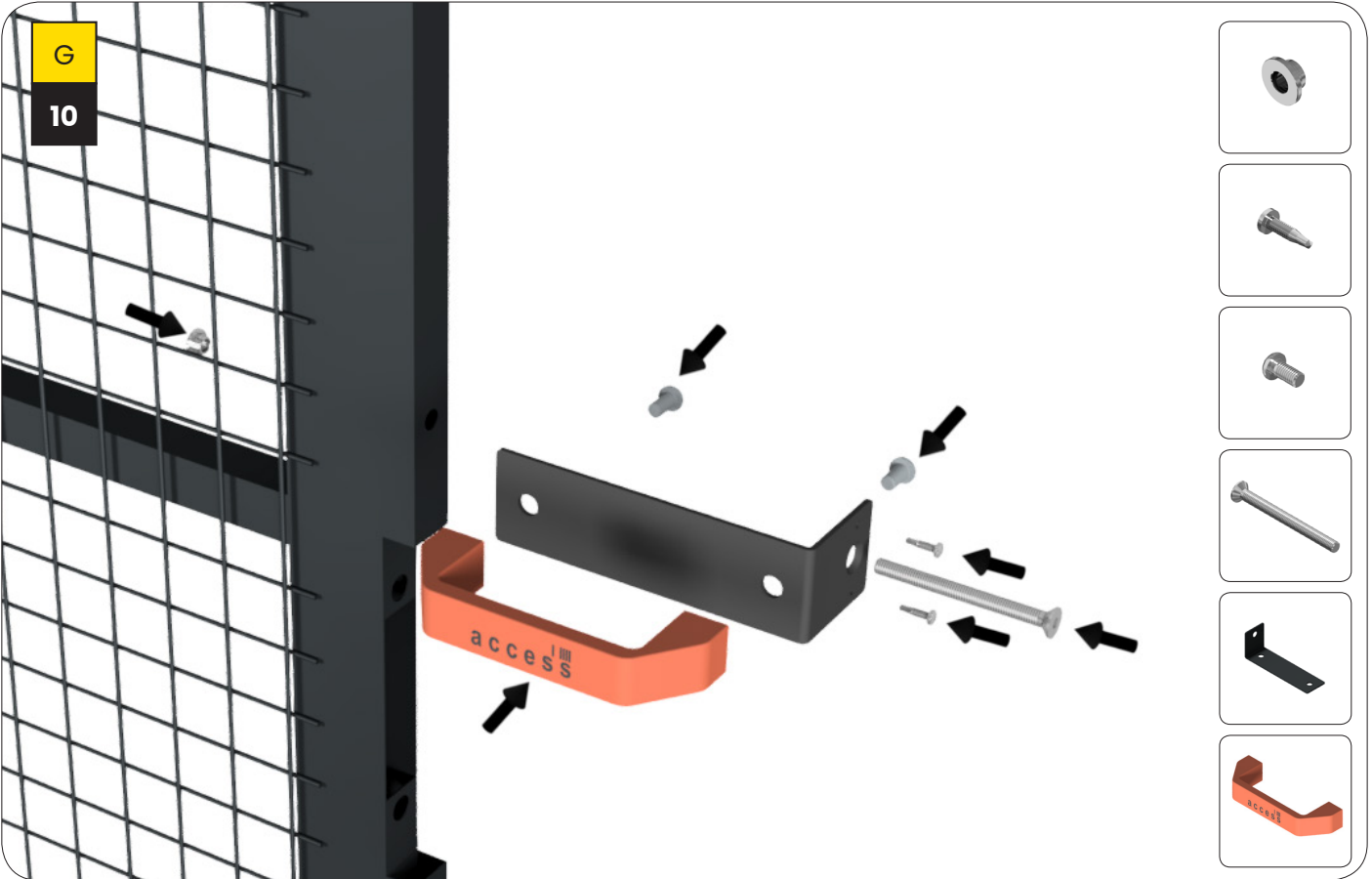
G
10



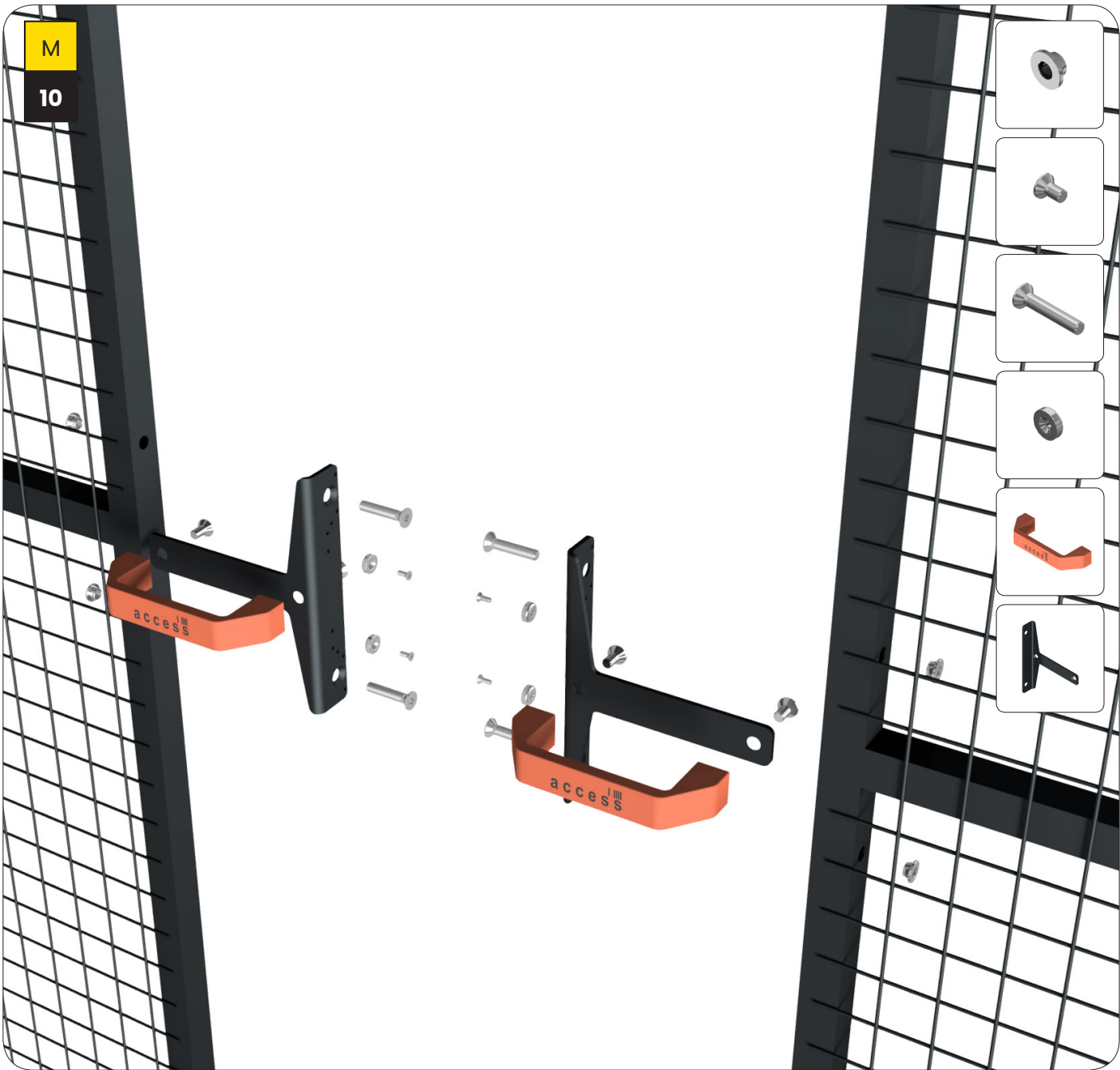


V	X	D	X	.	S	C	1	B	G	X	X	3	.	X	X	X	X	X	X
1	2	3	4	5	6	7	8	9	10	11	12	13	14	15	16	17	18	19	20

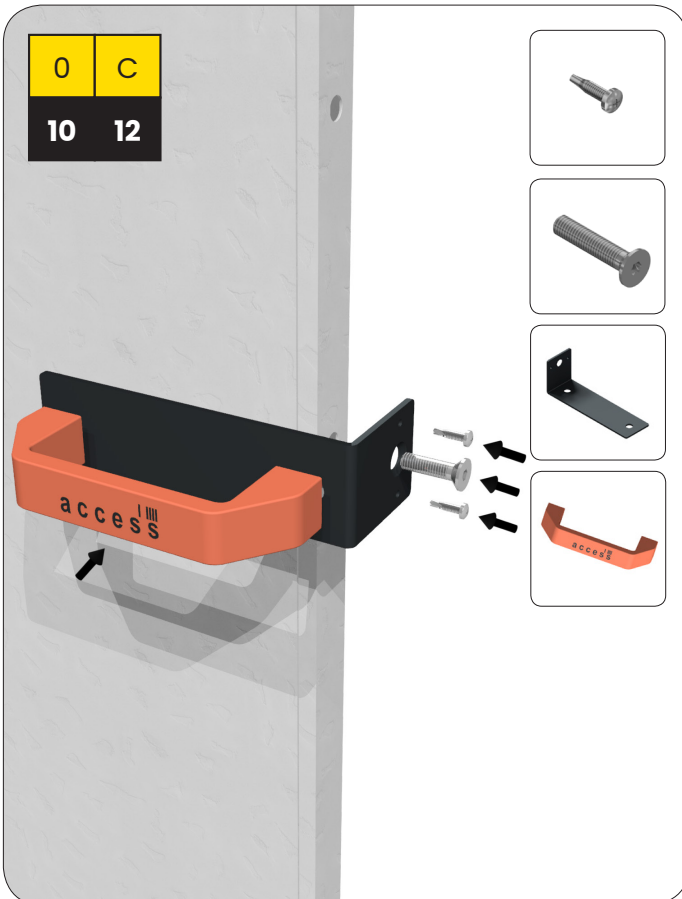
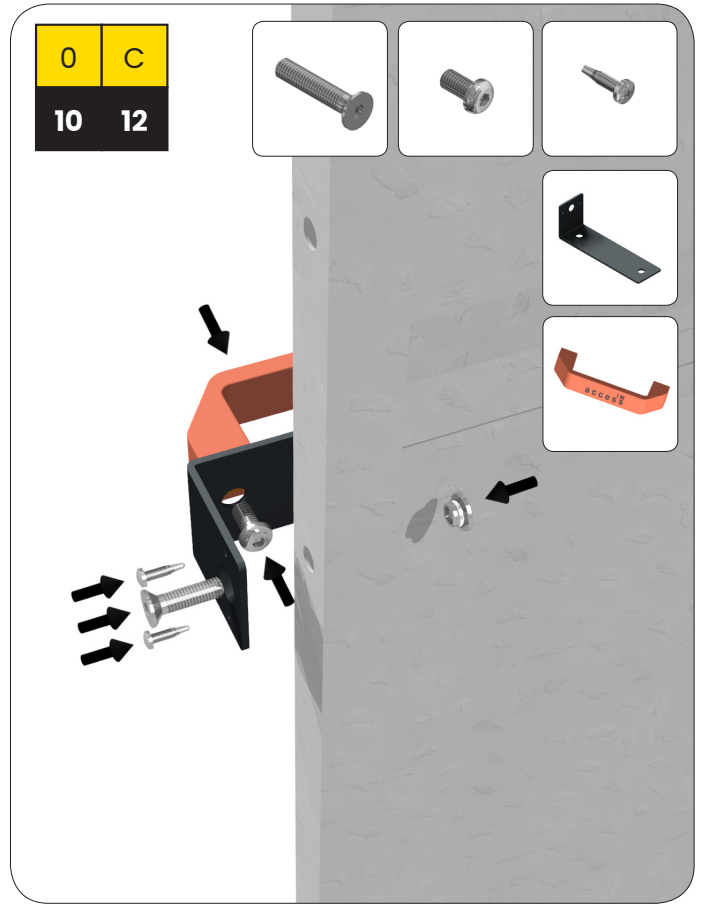
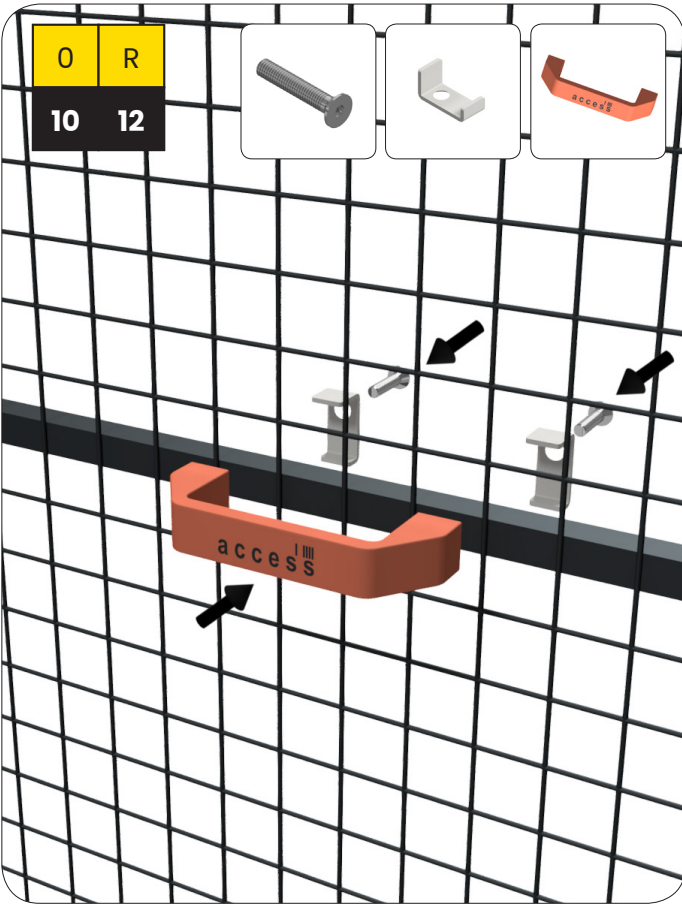
ASSEMBLY PHASE 8.



V	X	D	X	.	S	C	I	B	M	X	X	3	.	X	X	X	X	X	X
1	2	3	4	5	6	7	8	9	10	11	12	13	14	15	16	17	18	19	20



V	X	D	X	.	S	C	I	B	X	X	X	3	.	X	X	X	X	X	X
1	2	3	4	5	6	7	8	9	10	11	12	13	14	15	16	17	18	19	20



ASSEMBLY PHASE 8.

V	X	D	X	.	S	C	1	B	X	X	X	3	.	X	X	X	X	X	X
1	2	3	4	5	6	7	8	9	10	11	12	13	14	15	16	17	18	19	20





LEGAL HEAD OFFICE AND PRODUCTION
Via Provinciale 56, n. 56
23878 Verderio (LC)

HEAD OFFICE
via San Francesco d'Assisi, n. 16
23899 Robbiate (Lc)

Tel. +39 039 9515951
Fax +39 039 513257
info@accessafe.eu
www.accessafe.eu