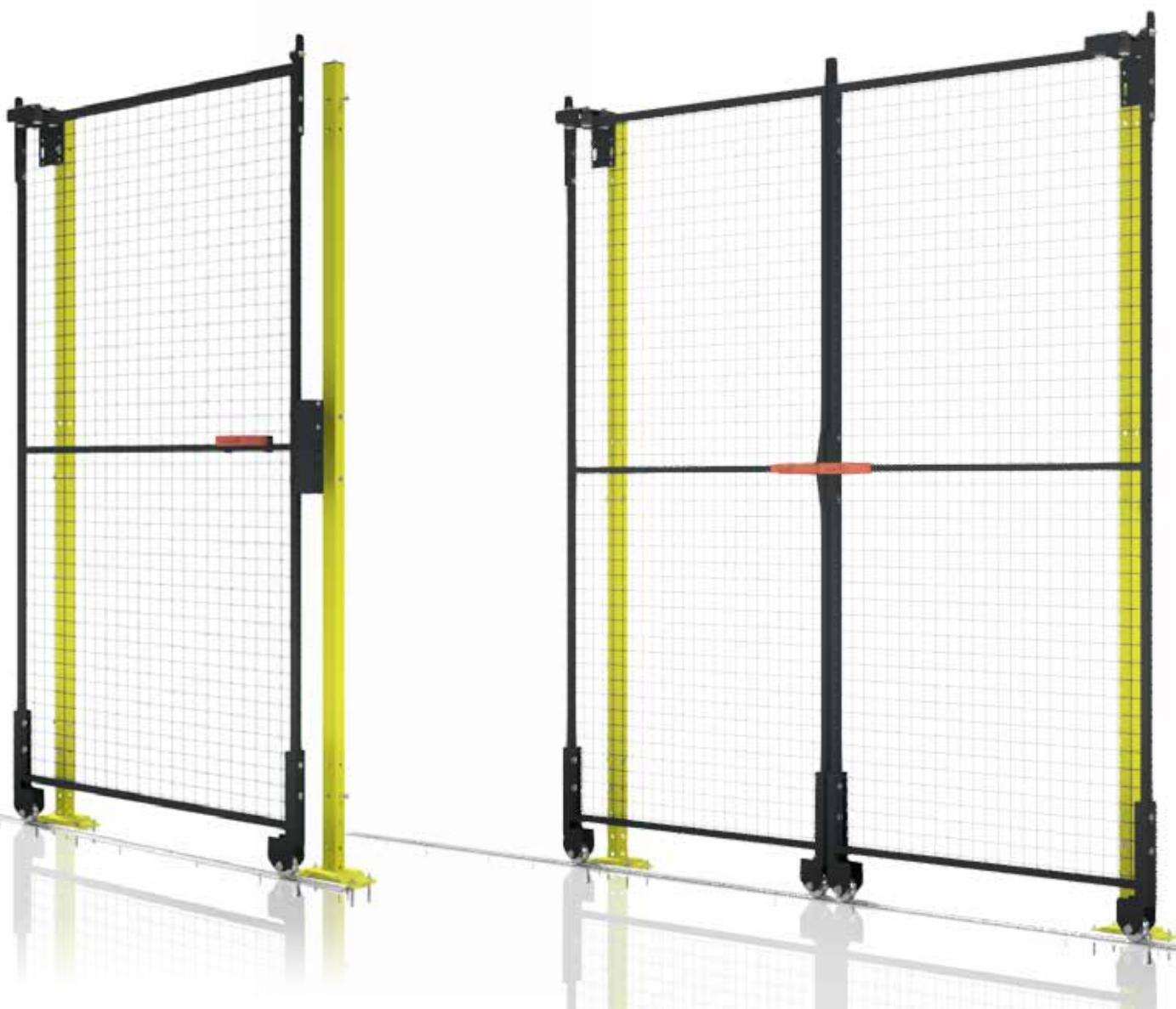


# LOWER GUIDE SLIDING DOOR.

**access**  
SMART SAFEGUARDING

ISTRUZIONI DI MONTAGGIO  
ASSEMBLY INSTRUCTION  
INSTRUCTIONS DE MONTAGE  
MONTAGEANLEITUNG  
INSTRUCCIONES DE MONTAJE  
NĀVOD NA MONTĀZ  
MONTER INGSVEJ LEDNING  
NAVODILA ZA VGRADJO  
SISTEM INSTRUÇÕES DE MONTAGE



# BOX AND LABEL CODE

V	X	D	X	.	S	I	X	X	X	X	X	X	.	X	X	X	X	X	X
1	2	3	4	5	6	7	8	9	10	11	12	13	14	15	16	17	18	19	20



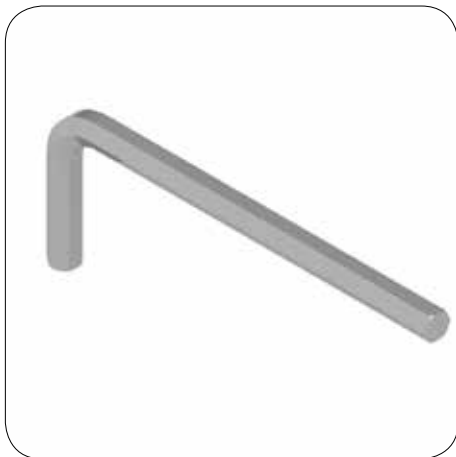
# TOOLS



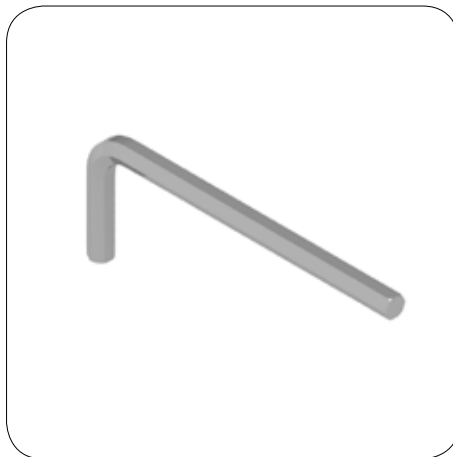
13MM



7MM



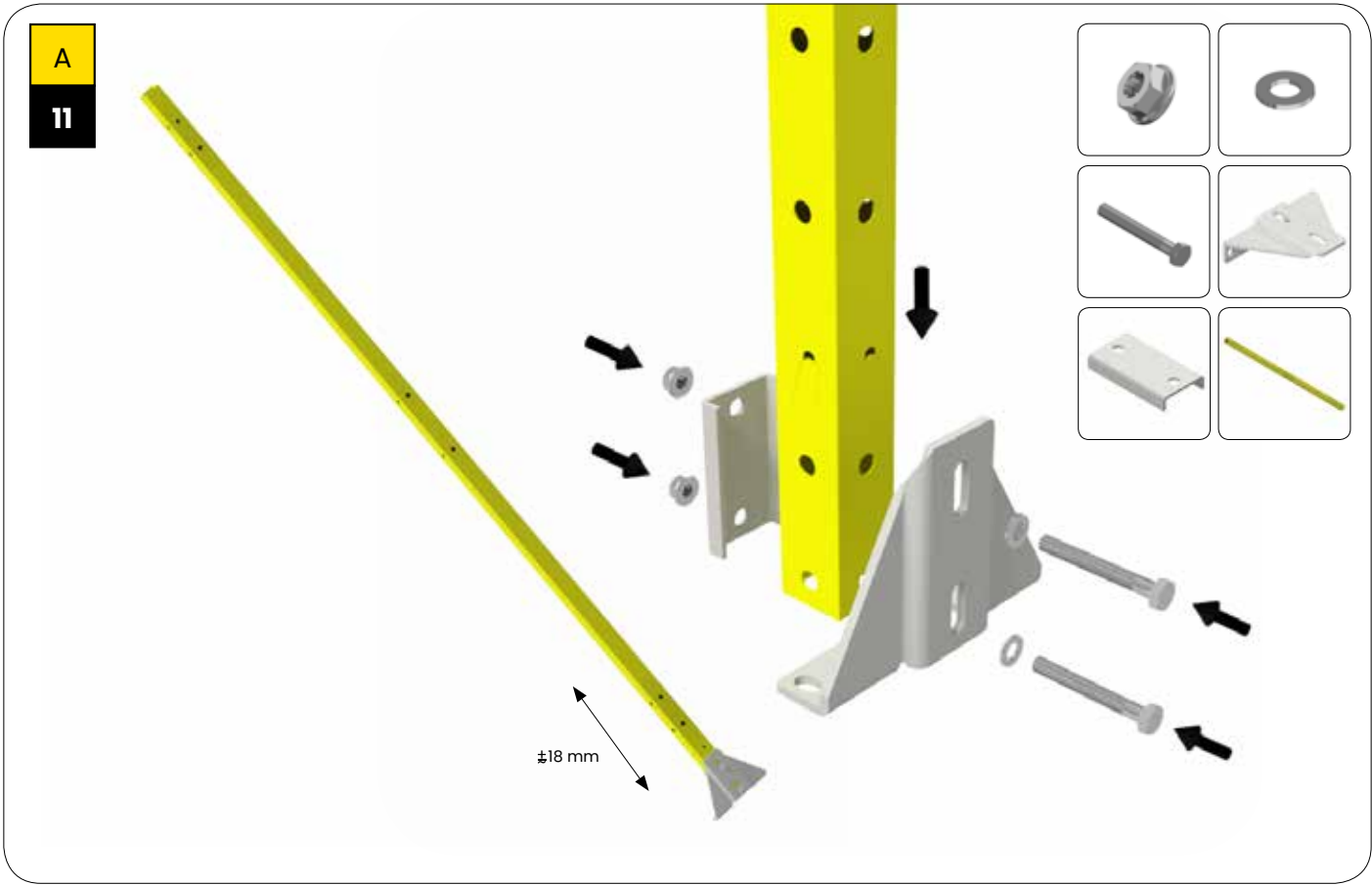
5MM



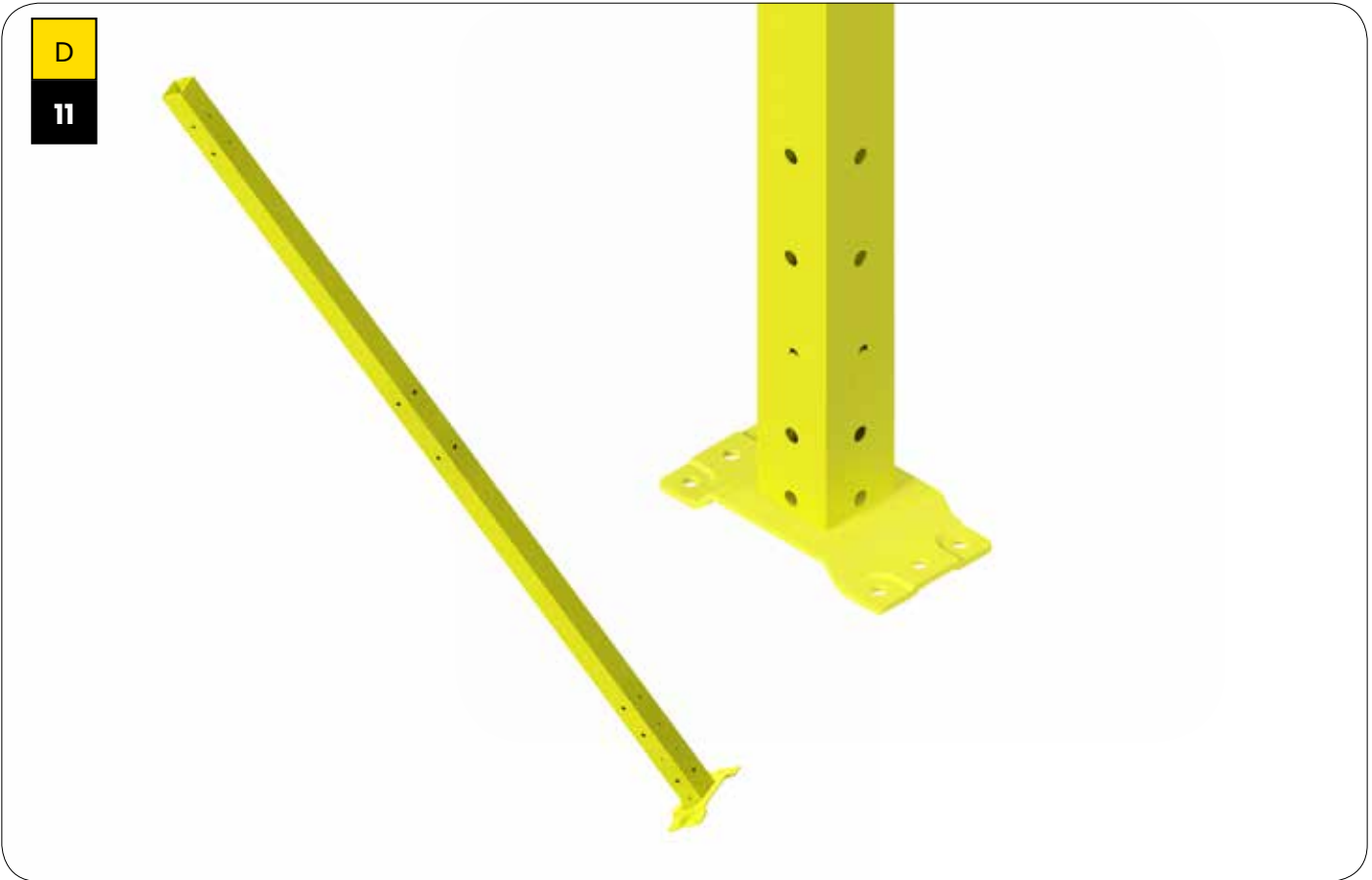
2,5MM



V	X	D	X	.	S	I	X	X	X	X	X	X	.	X	X	X	X	X	X
1	2	3	4	5	6	7	8	9	10	11	12	13	14	15	16	17	18	19	20



V	X	D	X	.	S	I	X	X	X	X	X	X	.	X	X	X	X	X	X
1	2	3	4	5	6	7	8	9	10	11	12	13	14	15	16	17	18	19	20



V	X	D	X	.	S	I	X	X	X	X	X	X	.	X	X	X	X	X	X
1	2	3	4	5	6	7	8	9	10	11	12	13	14	15	16	17	18	19	20

E

11

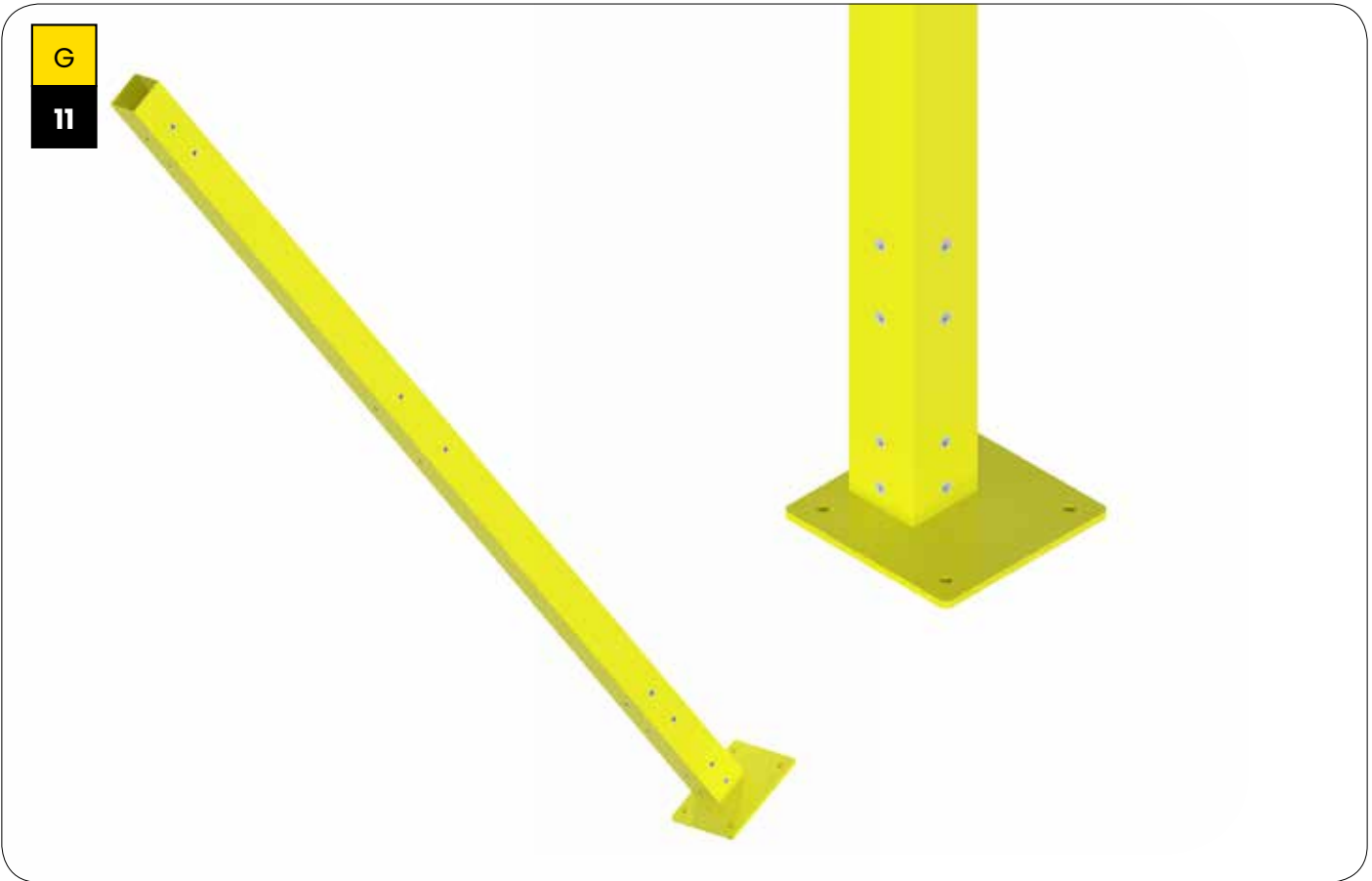
$\pm 40 \text{ mm}$

F

11

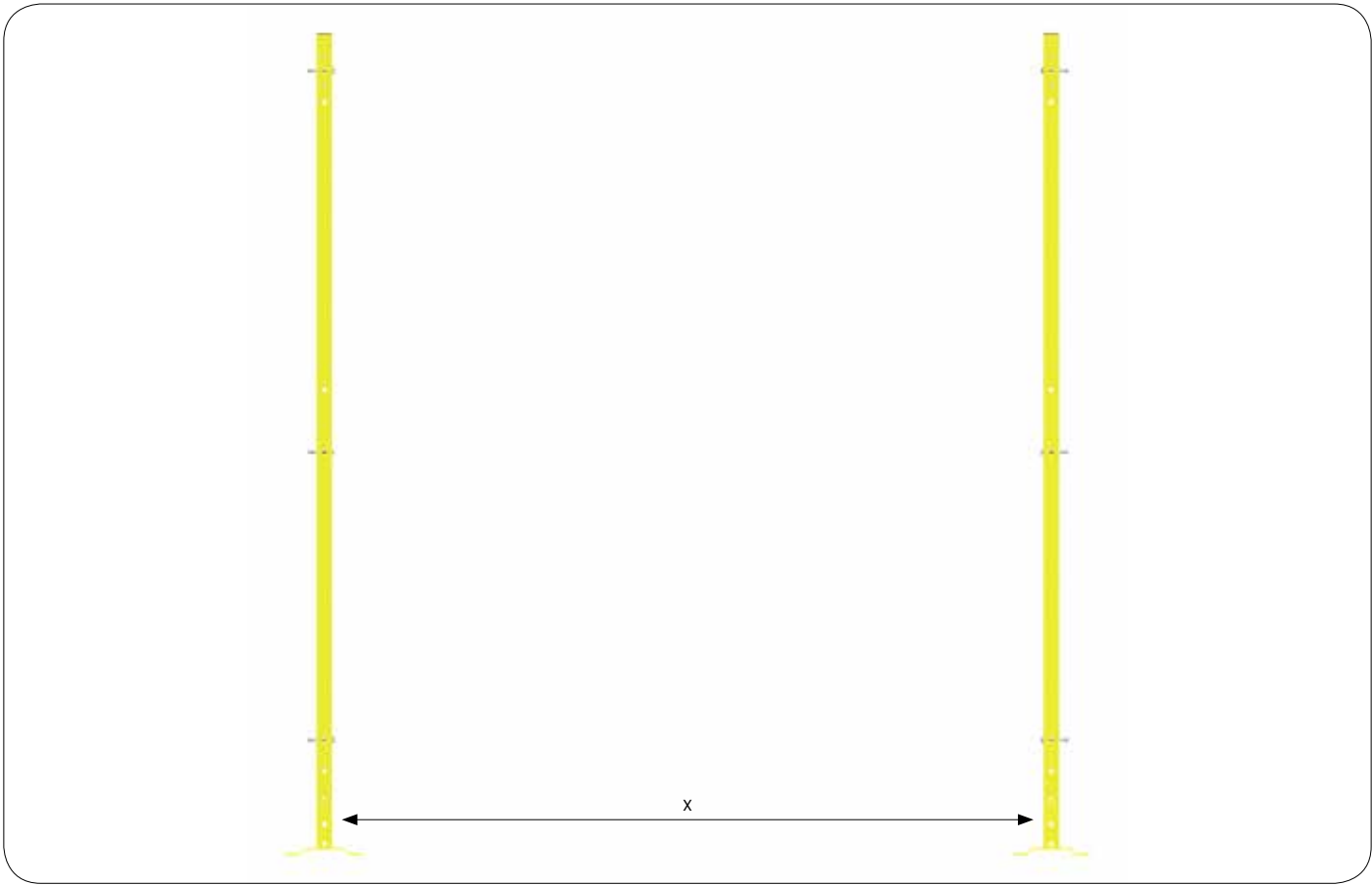
$\pm 25 \text{ mm}$

V	X	D	X	.	S	I	X	X	X	X	X	X	.	X	X	X	X	X	X
1	2	3	4	5	6	7	8	9	10	11	12	13	14	15	16	17	18	19	20



**ASSEMBLY PHASE 1.**

V	X	D	X	.	S	I	X	X	X	X	X	X	.	X	X	X	X	X	X
1	2	3	4	5	6	7	8	9	10	11	12	13	14	15	16	17	18	19	20

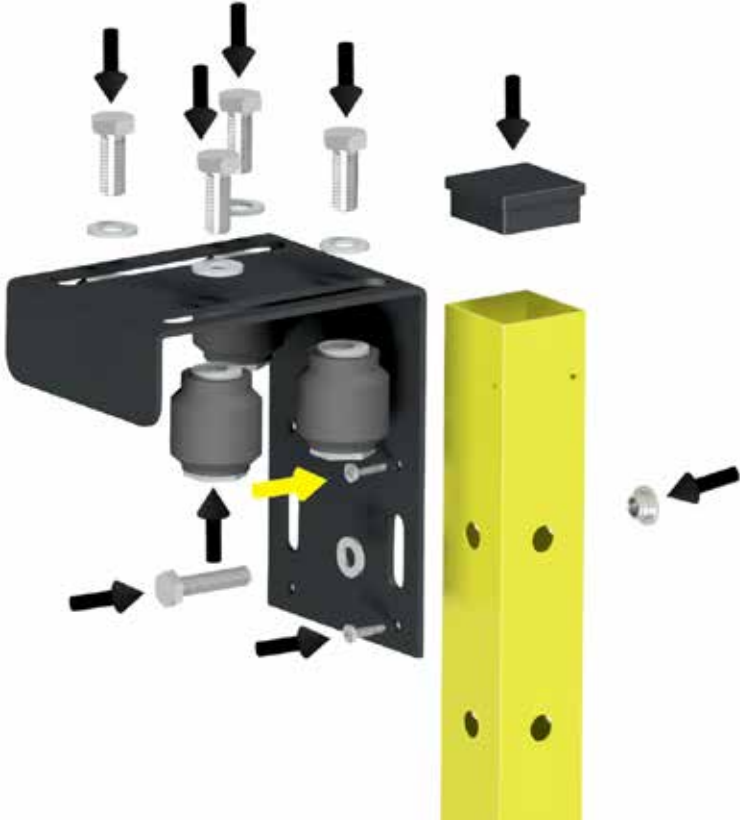











V	X	D	X	.	S	I	X	X	X	X	X	X	.	X	X	X	X	X	X
1	2	3	4	5	6	7	8	9	10	11	12	13	14	15	16	17	18	19	20

**ASSEMBLY PHASE 3.**

A	B	C	D
11	11	11	11



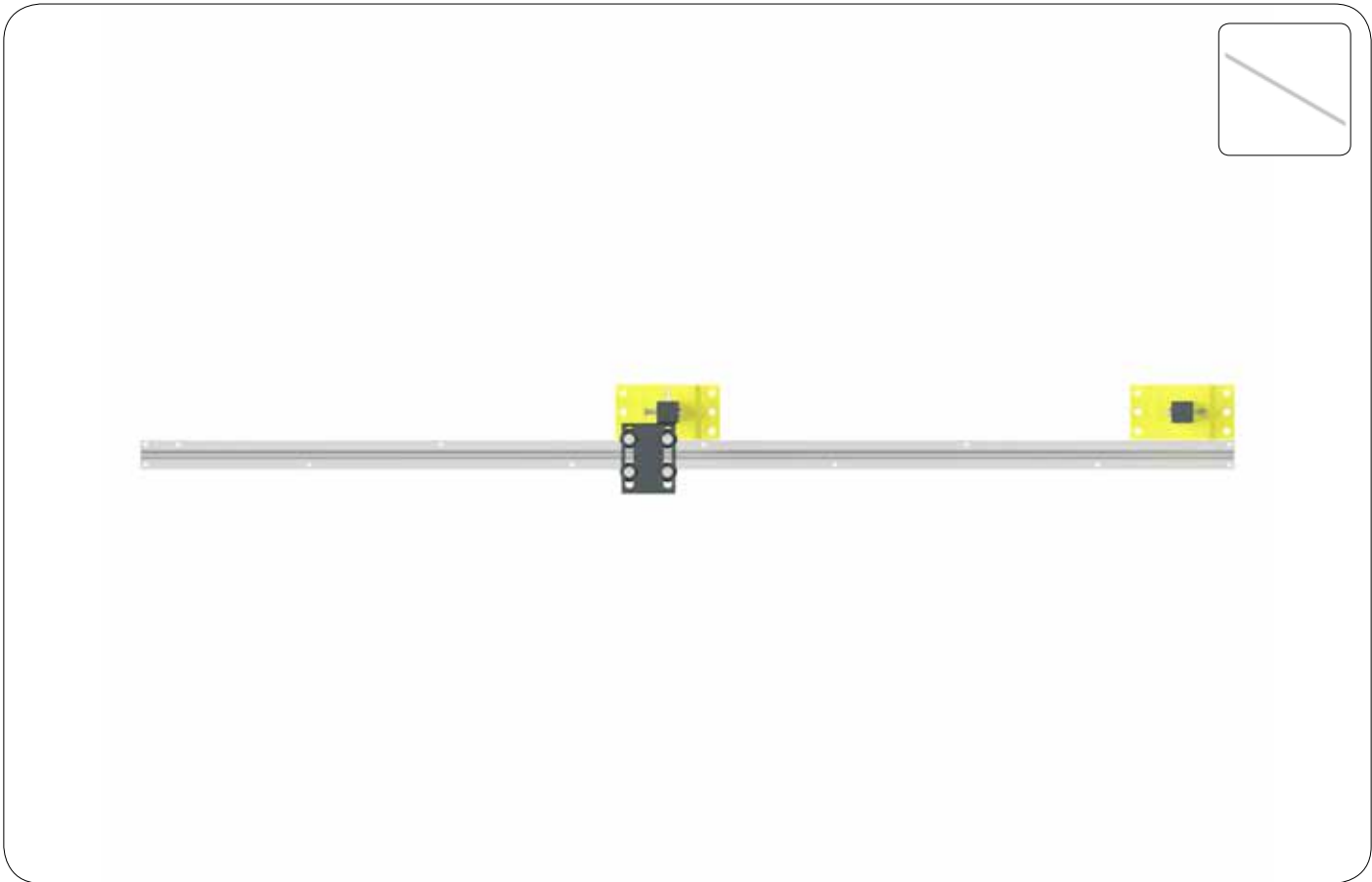
- 
- 
- 
- 
- 
- 
- 

E	F	G
11	11	11



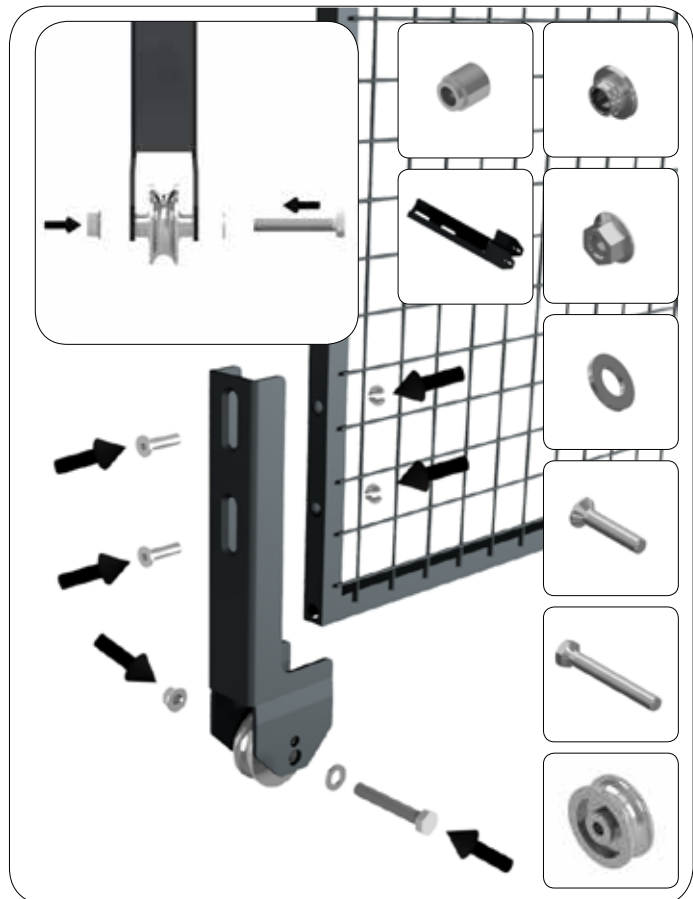
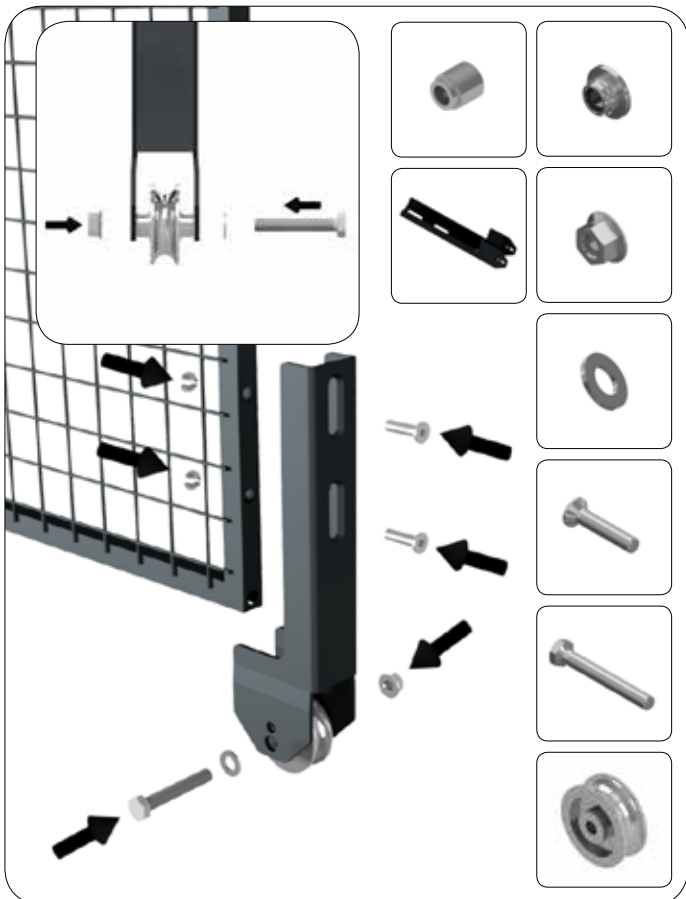
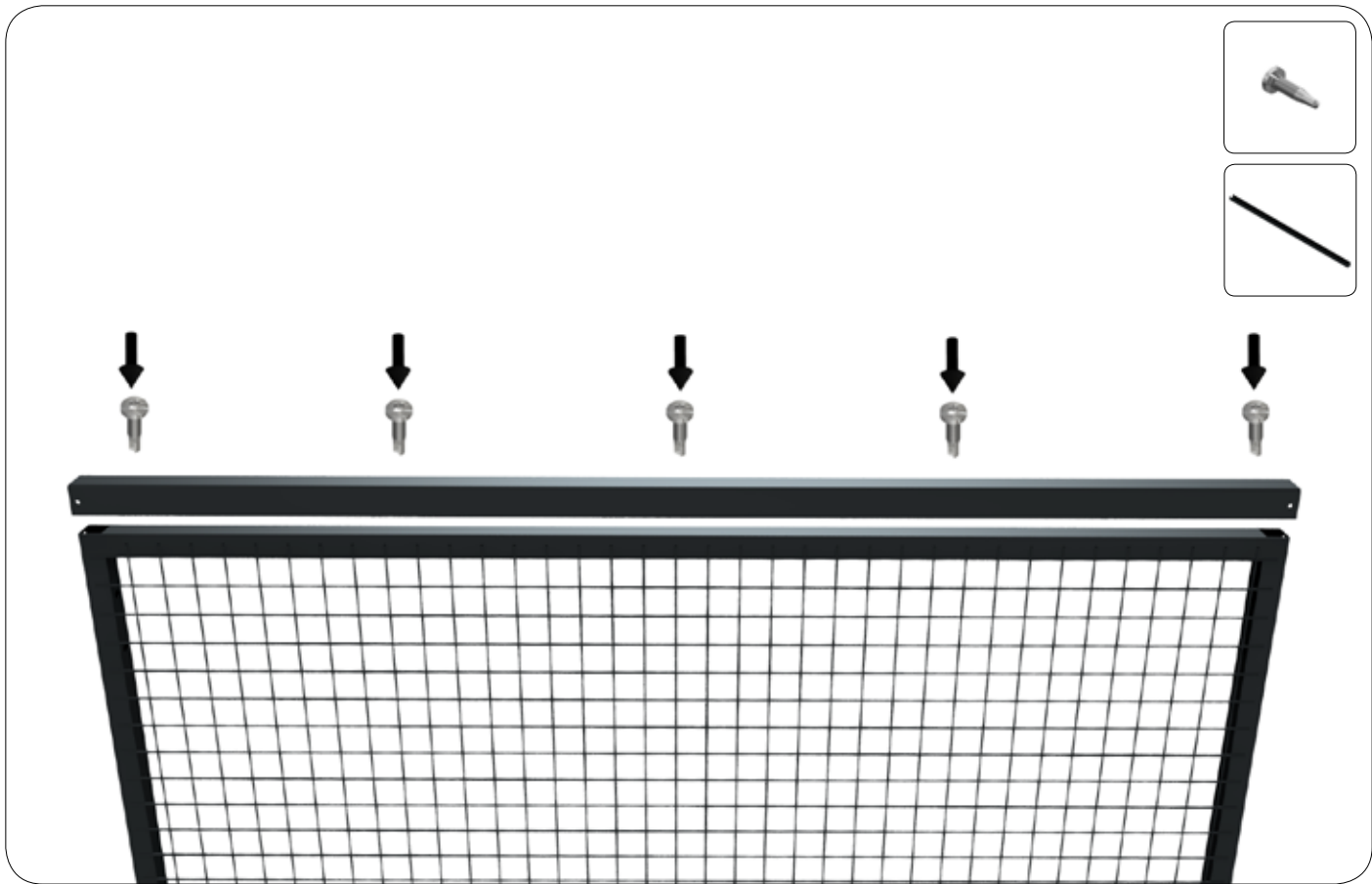
- 
- 
- 
- 
- 
- 

V	X	D	X	.	S	I	1	A	X	X	X	X	.	X	X	X	X	X	X
1	2	3	4	5	6	7	8	9	10	11	12	13	14	15	16	17	18	19	20

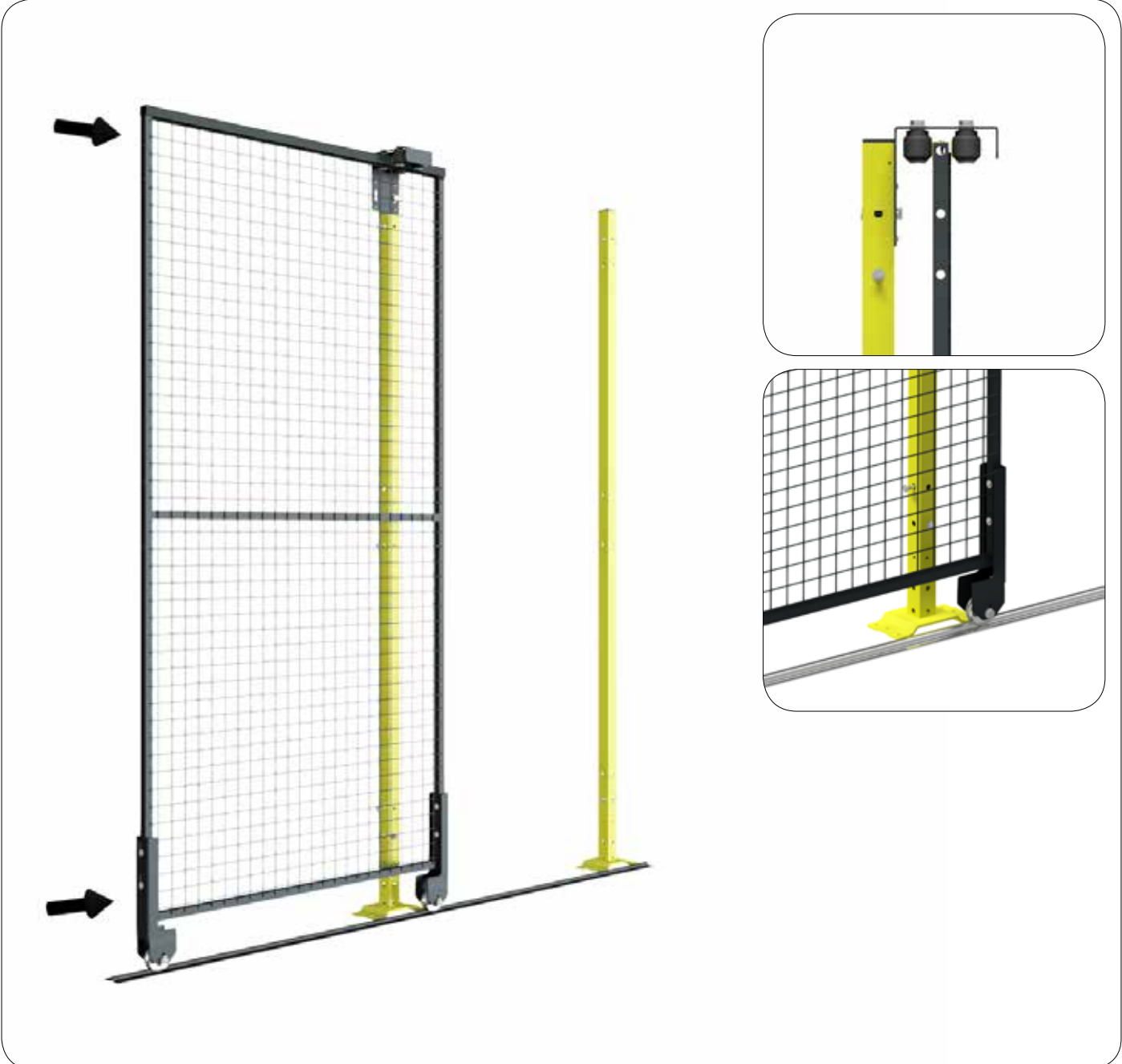


V	X	D	X	.	S	I	1	A	X	X	X	X	.	X	X	X	X	X	X
1	2	3	4	5	6	7	8	9	10	11	12	13	14	15	16	17	18	19	20

**ASSEMBLY PHASE 5.**

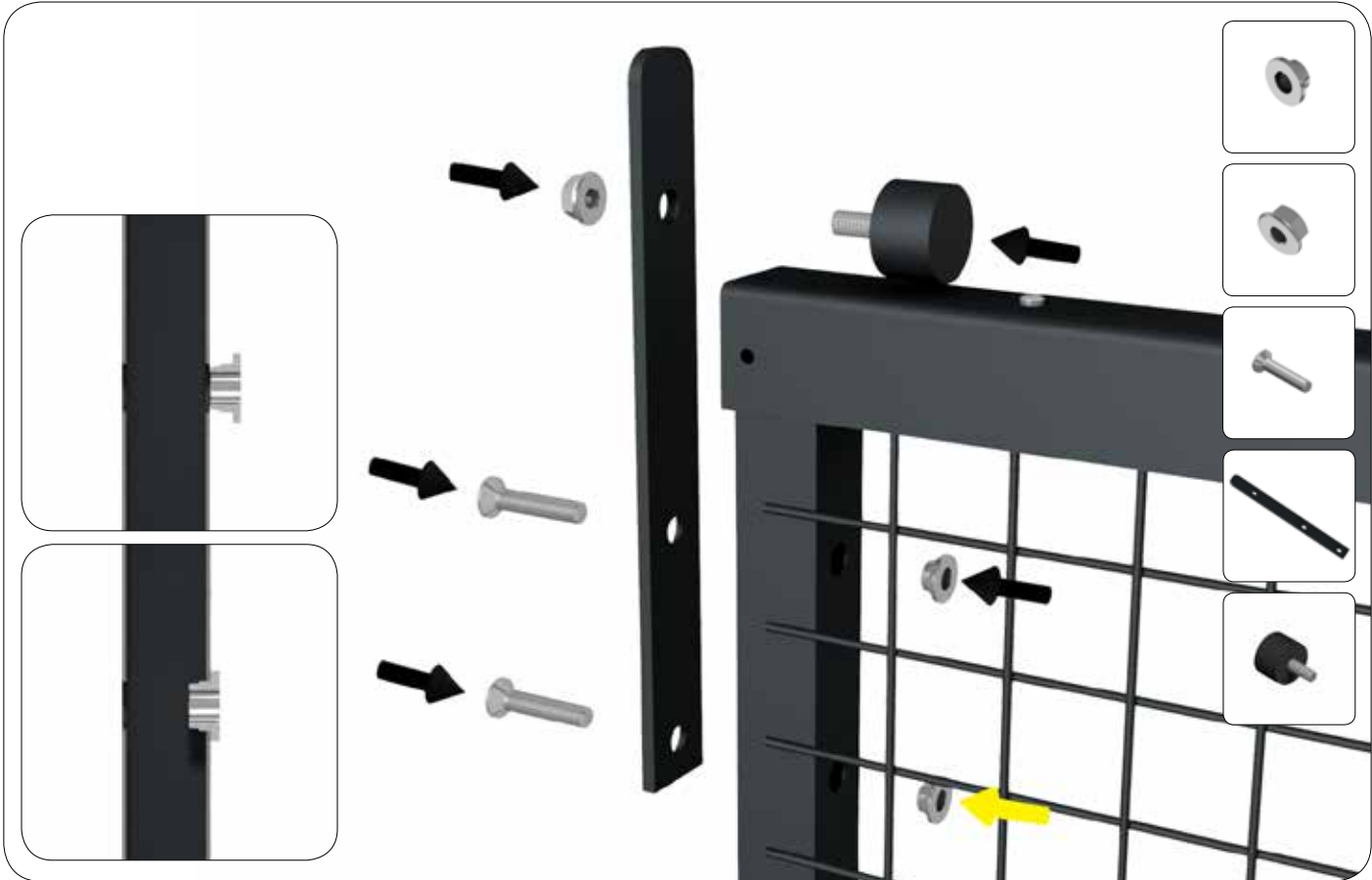


V	X	D	X	.	S	I	1	A	X	X	X	X	.	X	X	X	X	X	X
1	2	3	4	5	6	7	8	9	10	11	12	13	14	15	16	17	18	19	20

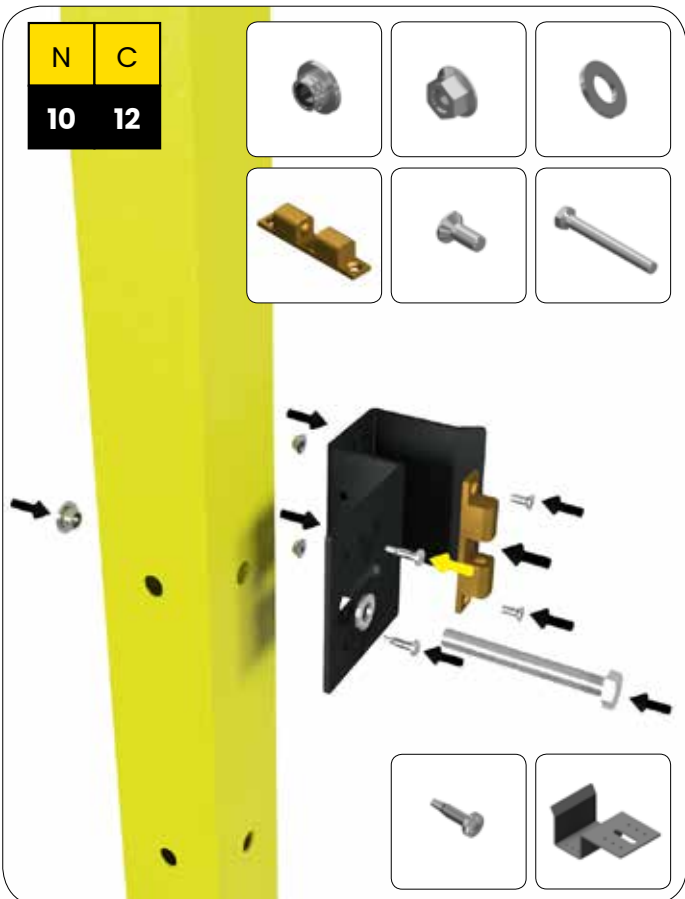


V	X	D	X	.	S	I	<b>1</b>	<b>A</b>	X	X	X	X	.	X	X	X	X	X	X
1	2	3	4	5	6	7	8	9	10	11	12	13	14	15	16	17	18	19	20

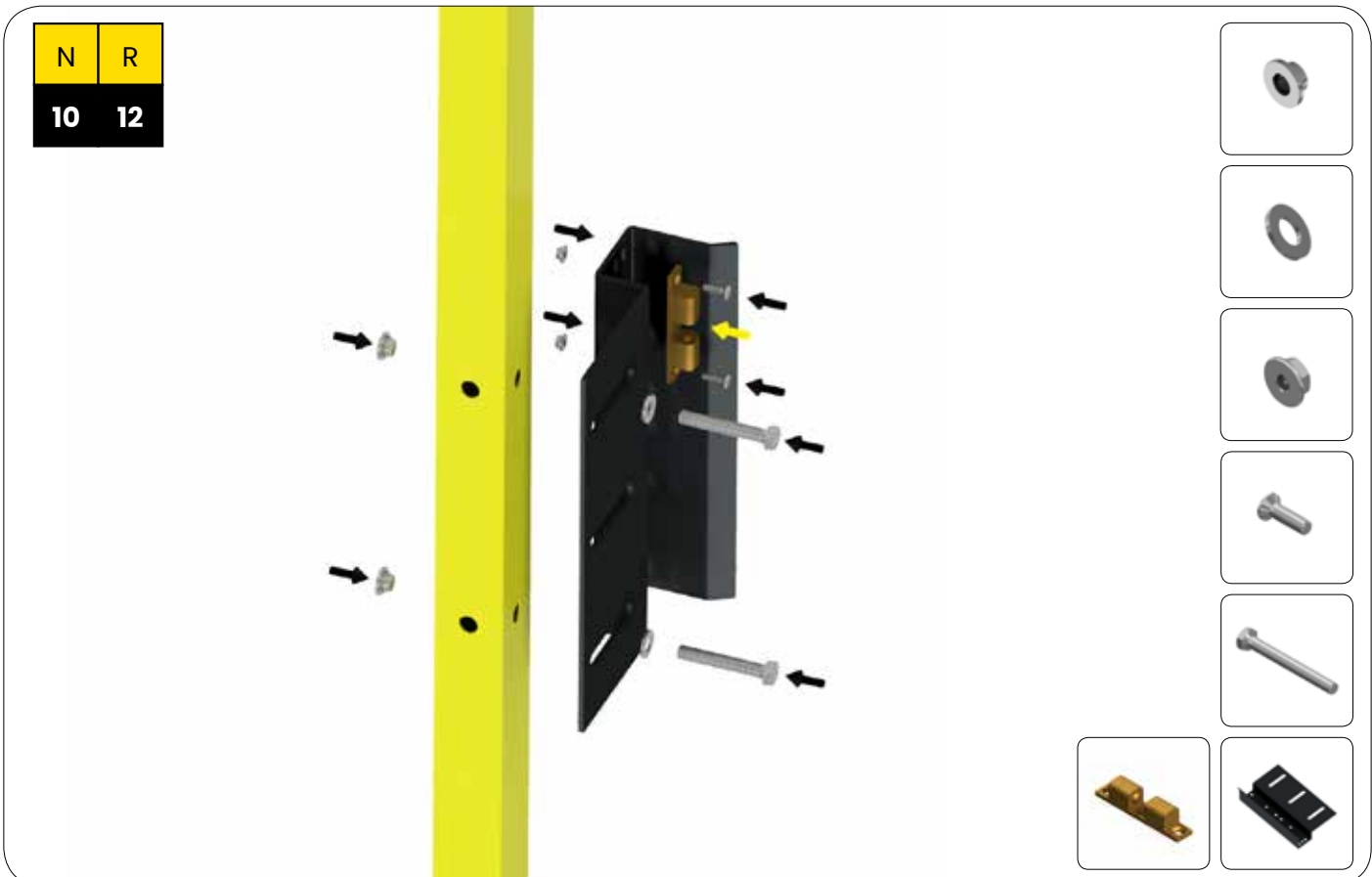
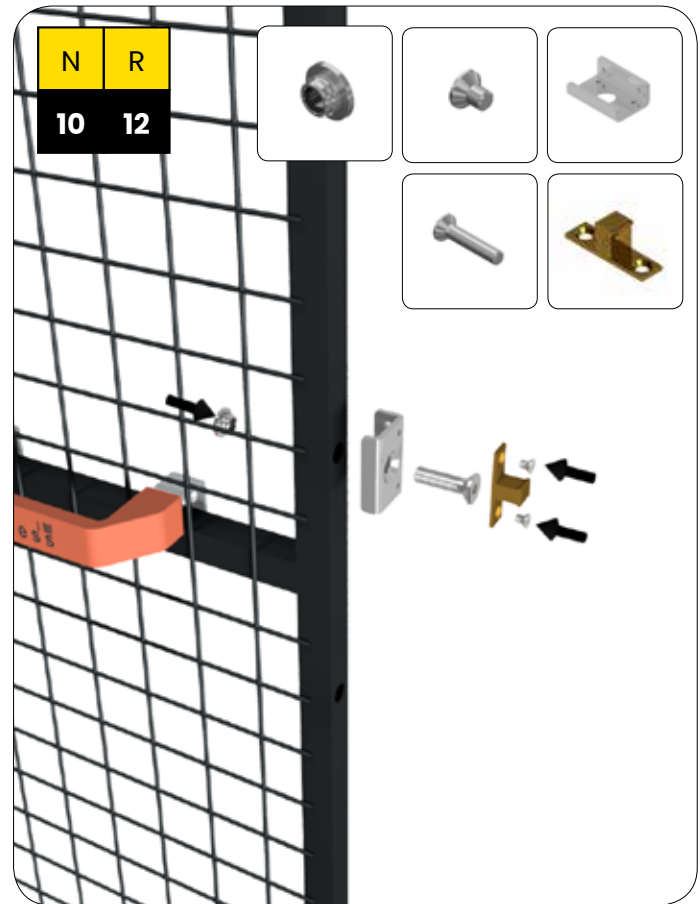
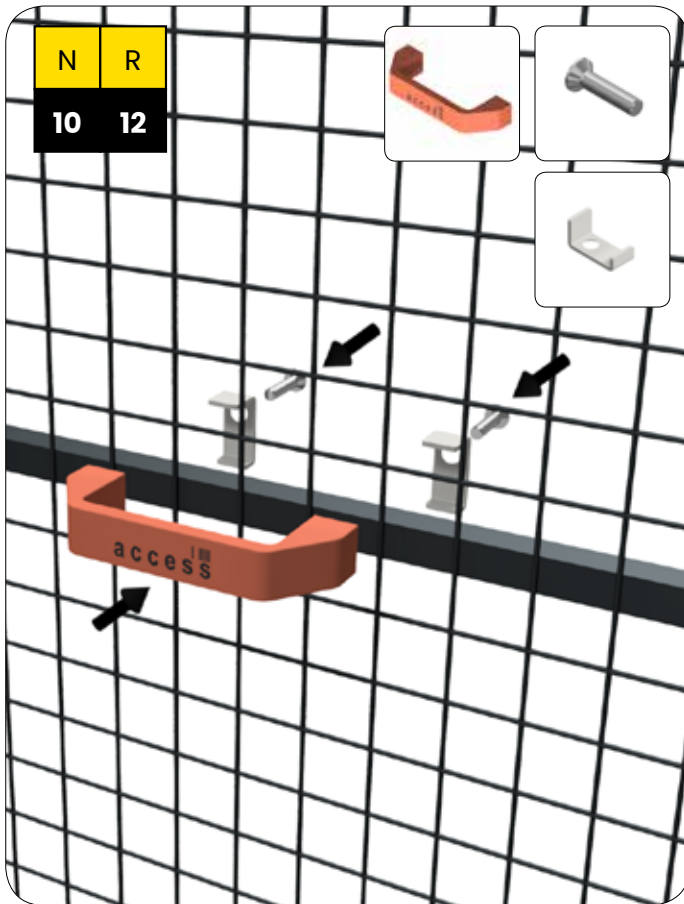
**ASSEMBLY PHASE 7.**



V	X	D	X	.	S	I	<b>1</b>	<b>A</b>	<b>N</b>	X	<b>C</b>	X	.	X	X	X	X	X	X
1	2	3	4	5	6	7	<b>8</b>	<b>9</b>	<b>10</b>	11	<b>12</b>	13	14	15	16	17	18	19	20

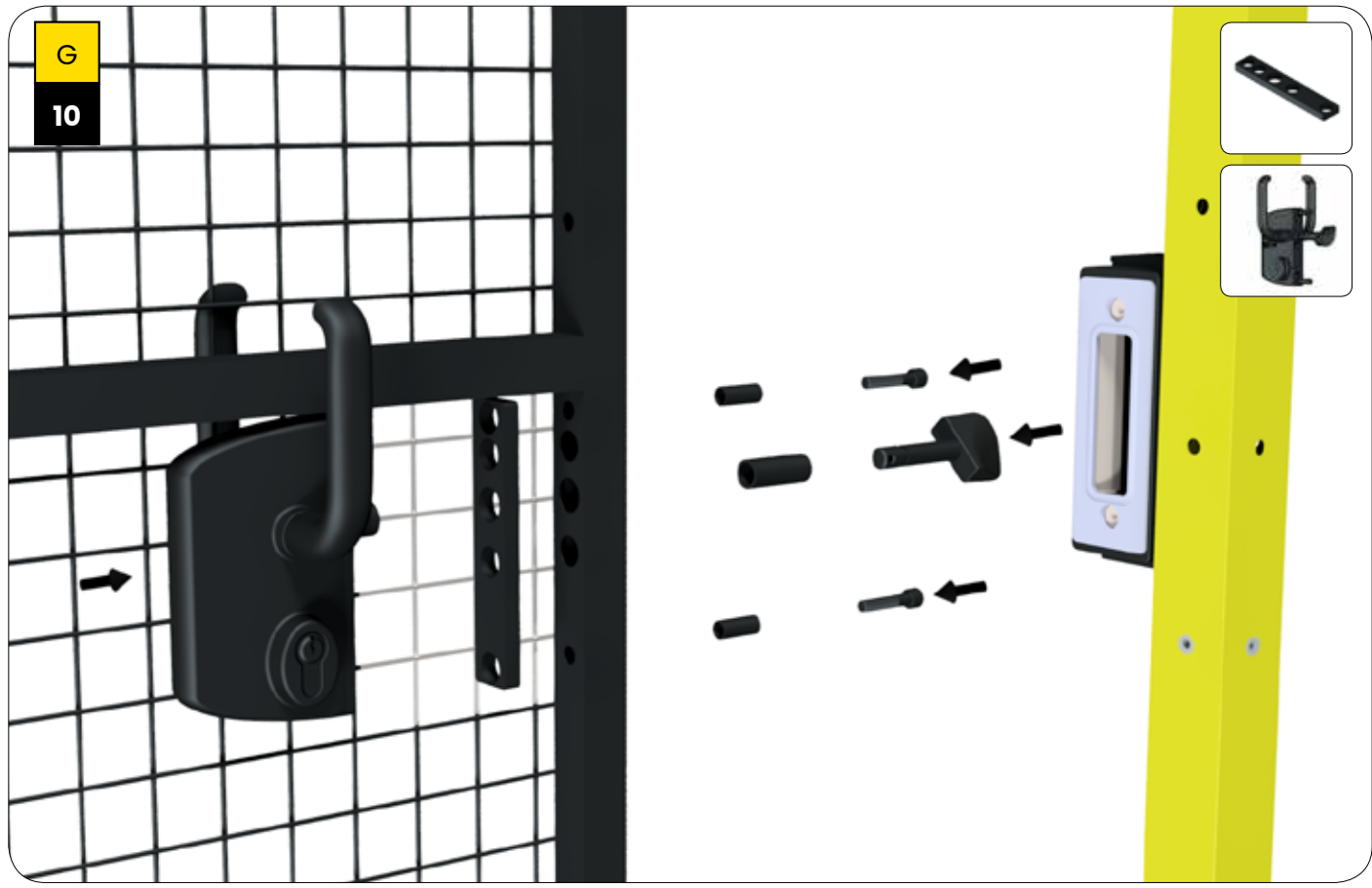
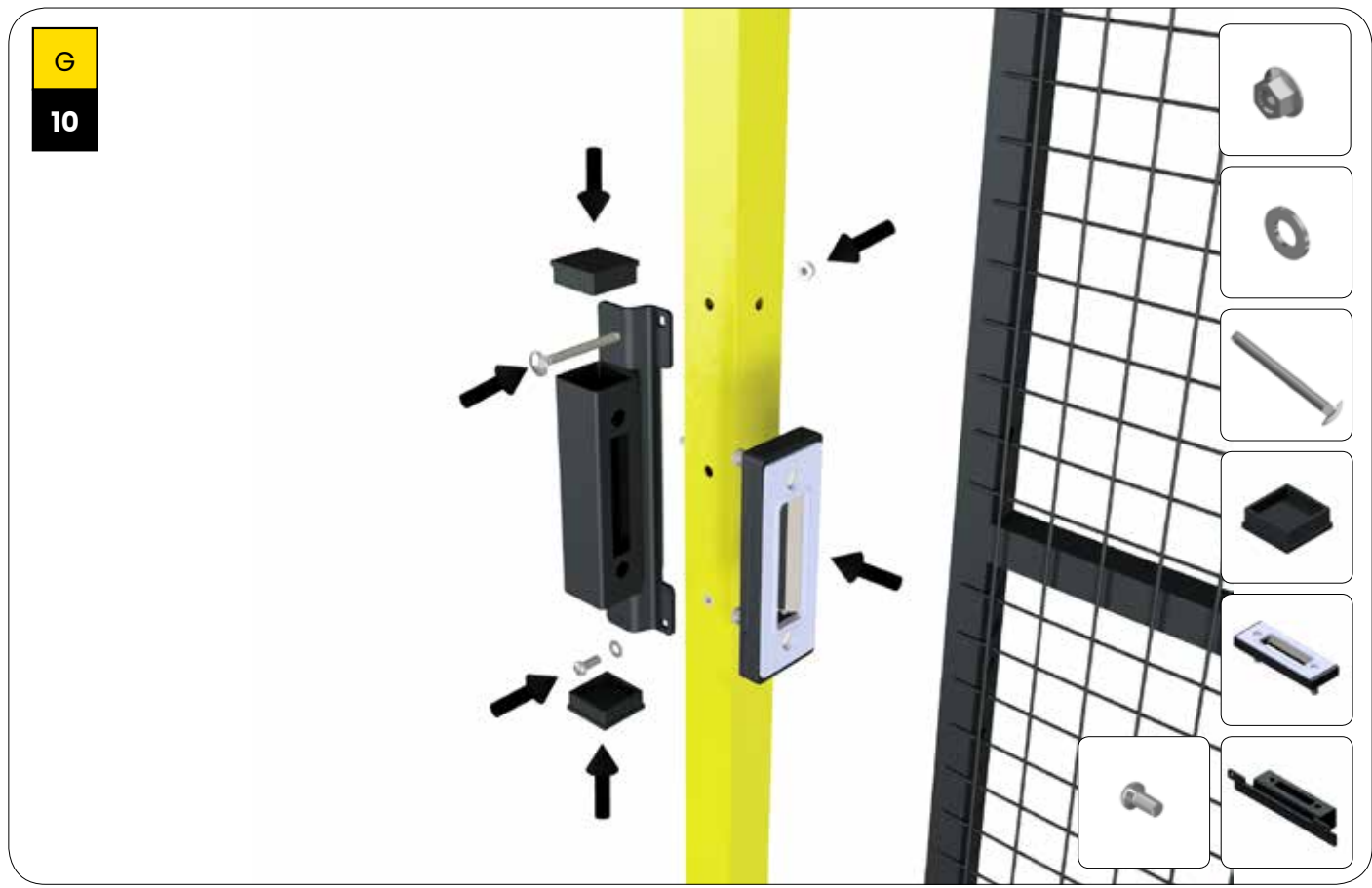


V	X	D	X	.	S	I	<b>1</b>	<b>A</b>	<b>N</b>	X	<b>R</b>	X	.	X	X	X	X	X	X
1	2	3	4	5	6	7	8	9	10	11	12	13	14	15	16	17	18	19	20



**ASSEMBLY PHASE 8.**

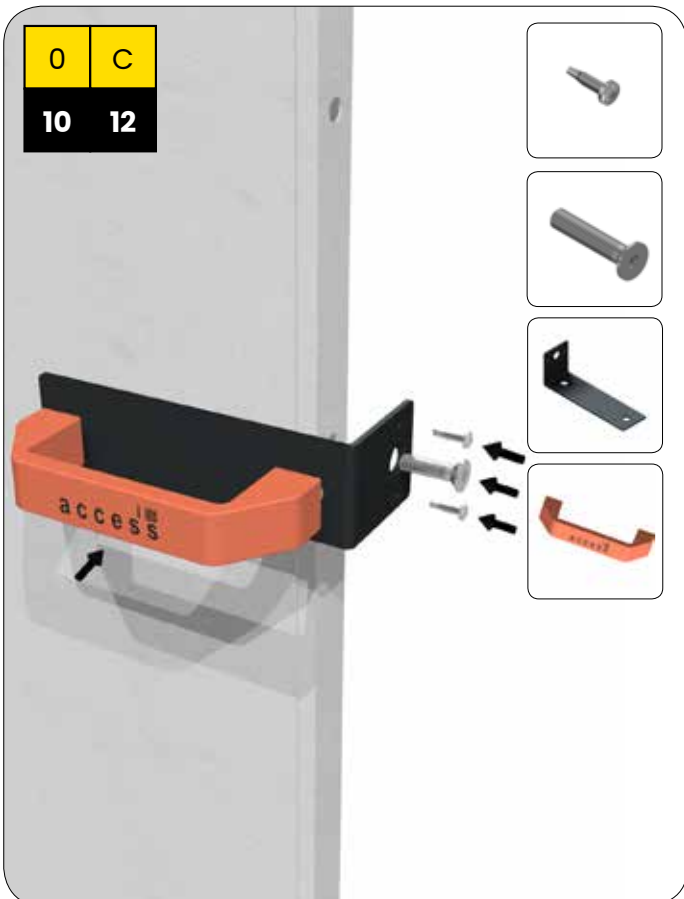
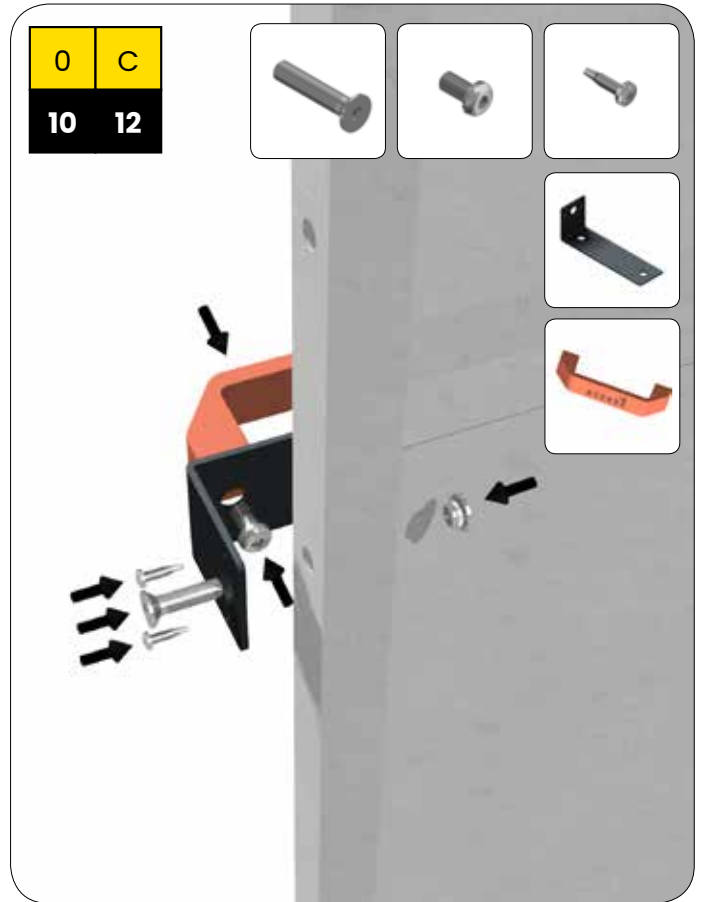
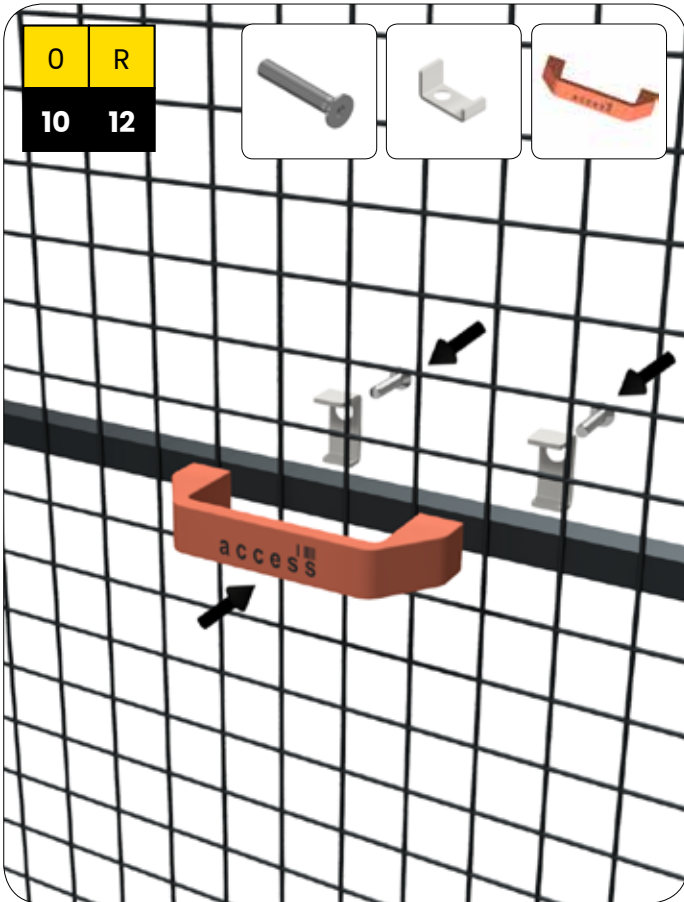
V	X	D	X	.	S	I	<b>1</b>	<b>A</b>	<b>G</b>	X	X	3	.	X	X	X	X	X	X
1	2	3	4	5	6	7	<b>8</b>	<b>9</b>	<b>10</b>	11	12	13	14	15	16	17	18	19	20



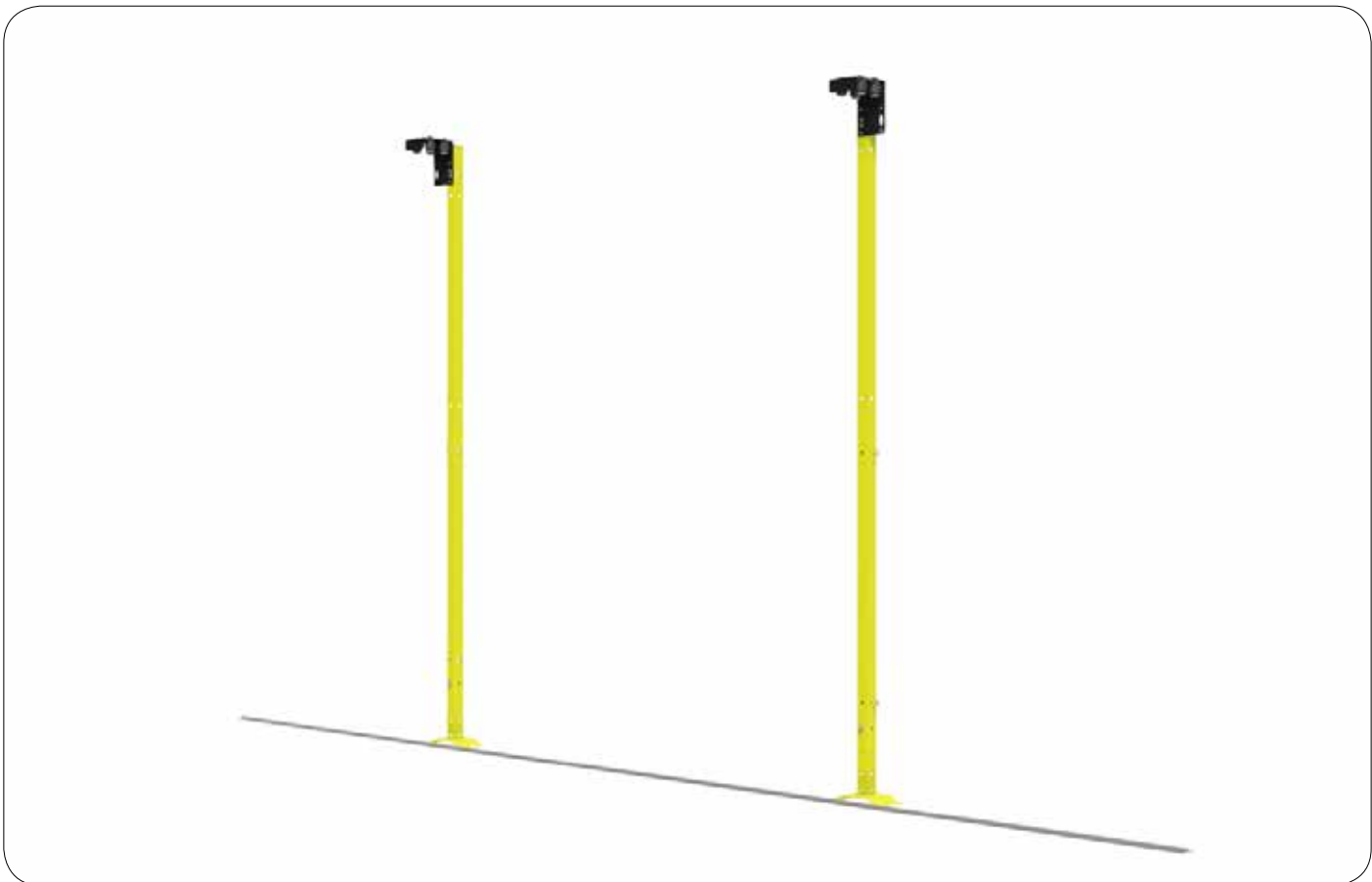
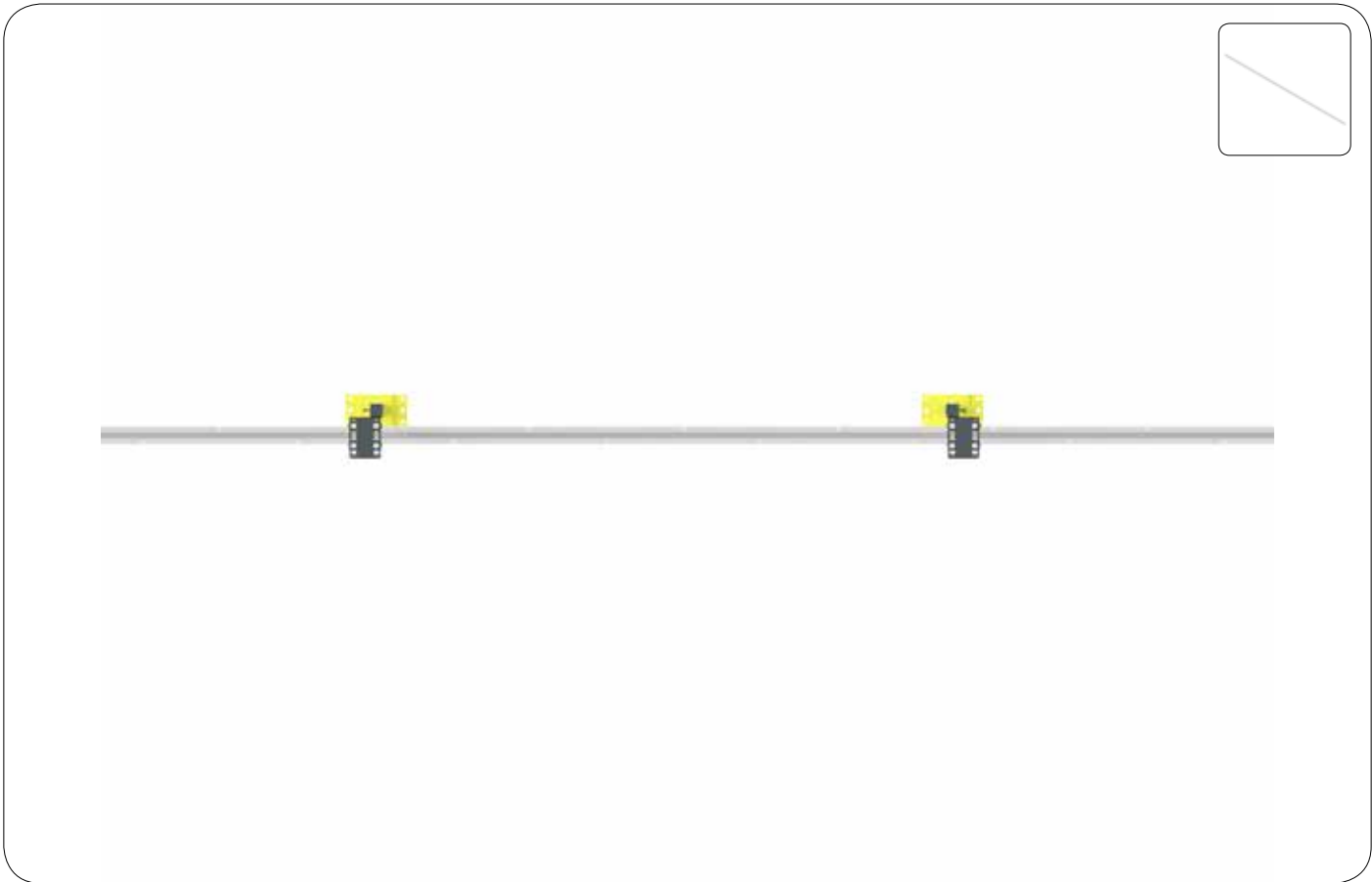


V	X	D	X	.	S	I	1	A	0	X	x	X	.	X	X	X	X	X	X	X	X
1	2	3	4	5	6	7	8	9	10	11	12	13	14	15	16	17	18	19	20	21	

**ASSEMBLY PHASE 8.**

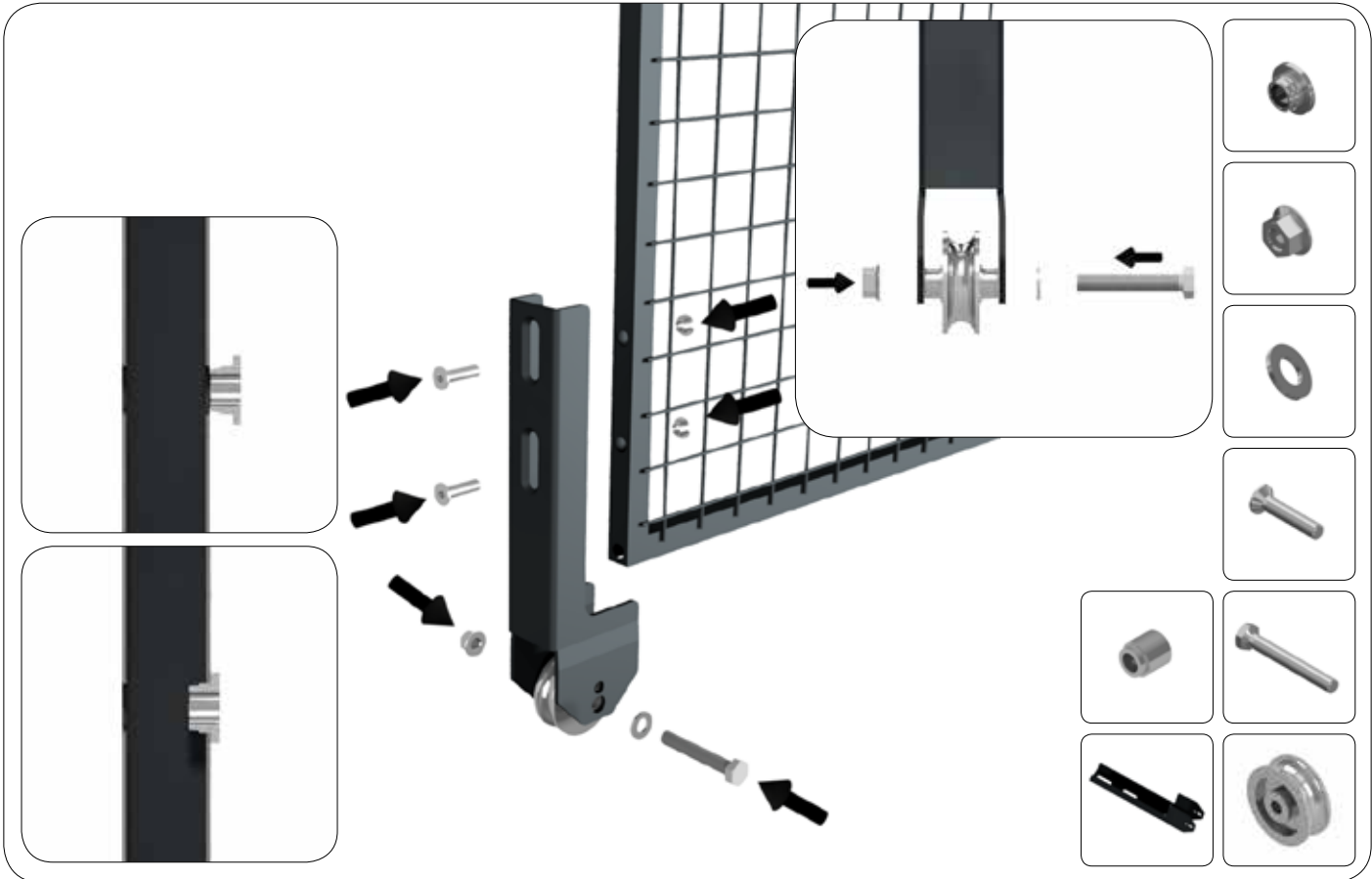
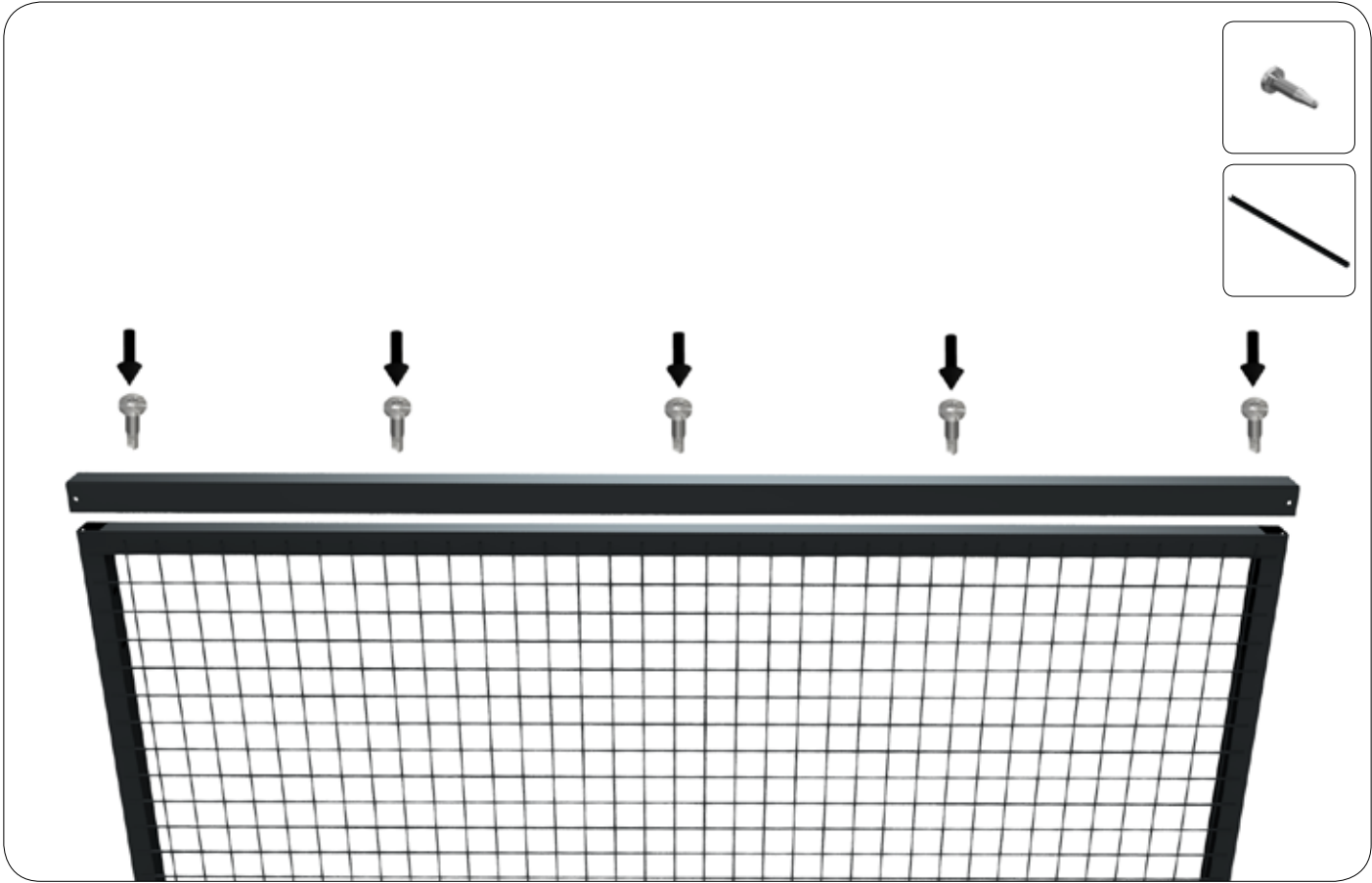


V	X	D	X	.	S	I	<b>1</b>	<b>B</b>	X	X	X	X	.	X	X	X	X	X	X	X
1	2	3	4	5	6	7	<b>8</b>	<b>9</b>	10	11	12	13	14	15	16	17	18	19	20	



V	X	D	X	.	S	I	1	B	X	X	X	X	.	X	X	X	X	X	X
1	2	3	4	5	6	7	8	9	10	11	12	13	14	15	16	17	18	19	20

**ASSEMBLY PHASE 5.**



V	X	D	X	.	S	I	<b>1</b>	<b>B</b>	<b>X</b>	X	X	X	.	X	X	X	X	X	X
1	2	3	4	5	6	7	8	9	10	11	12	13	14	15	16	17	18	19	20

**G**

**10**

**O**

**M**

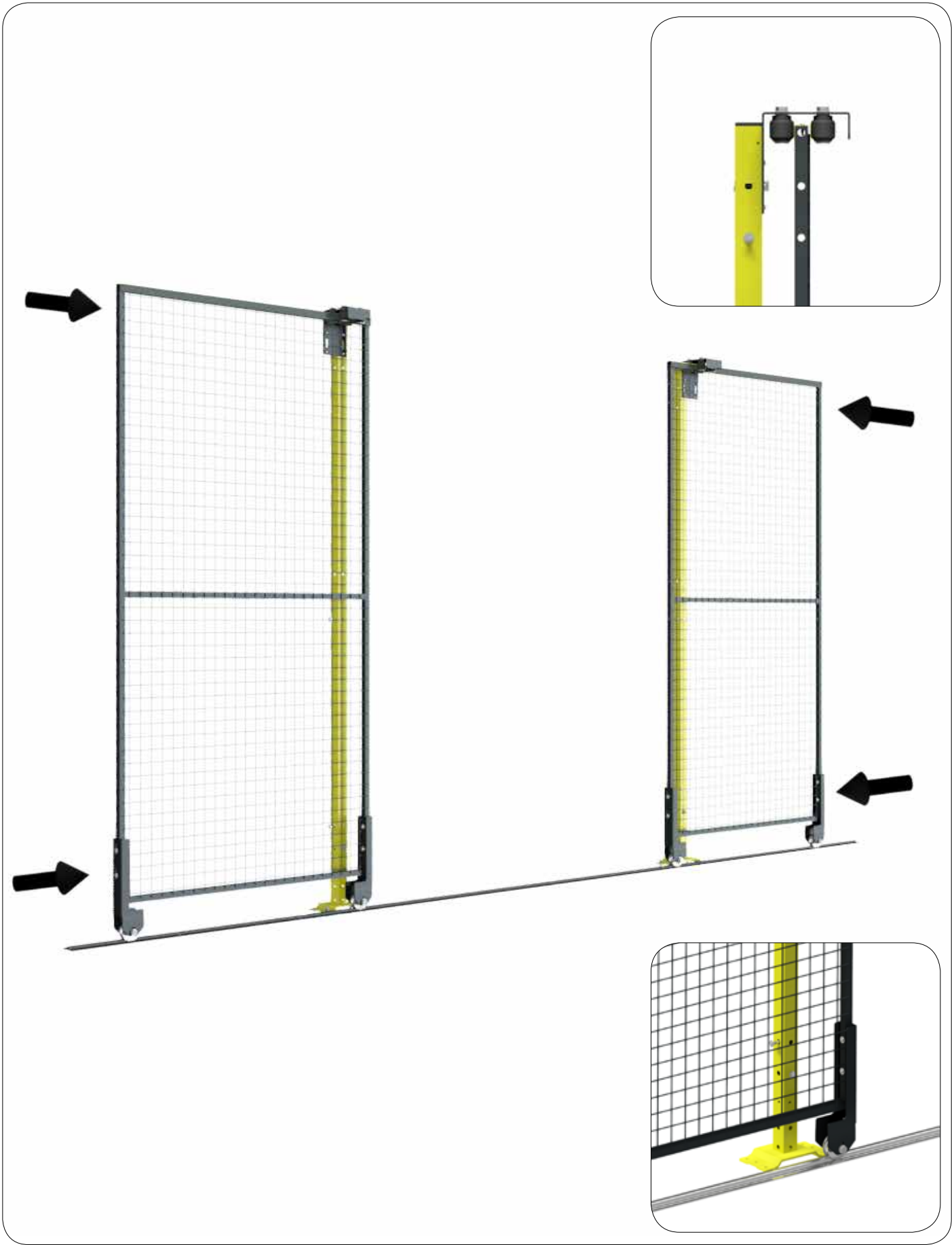
  

**10**

**10**

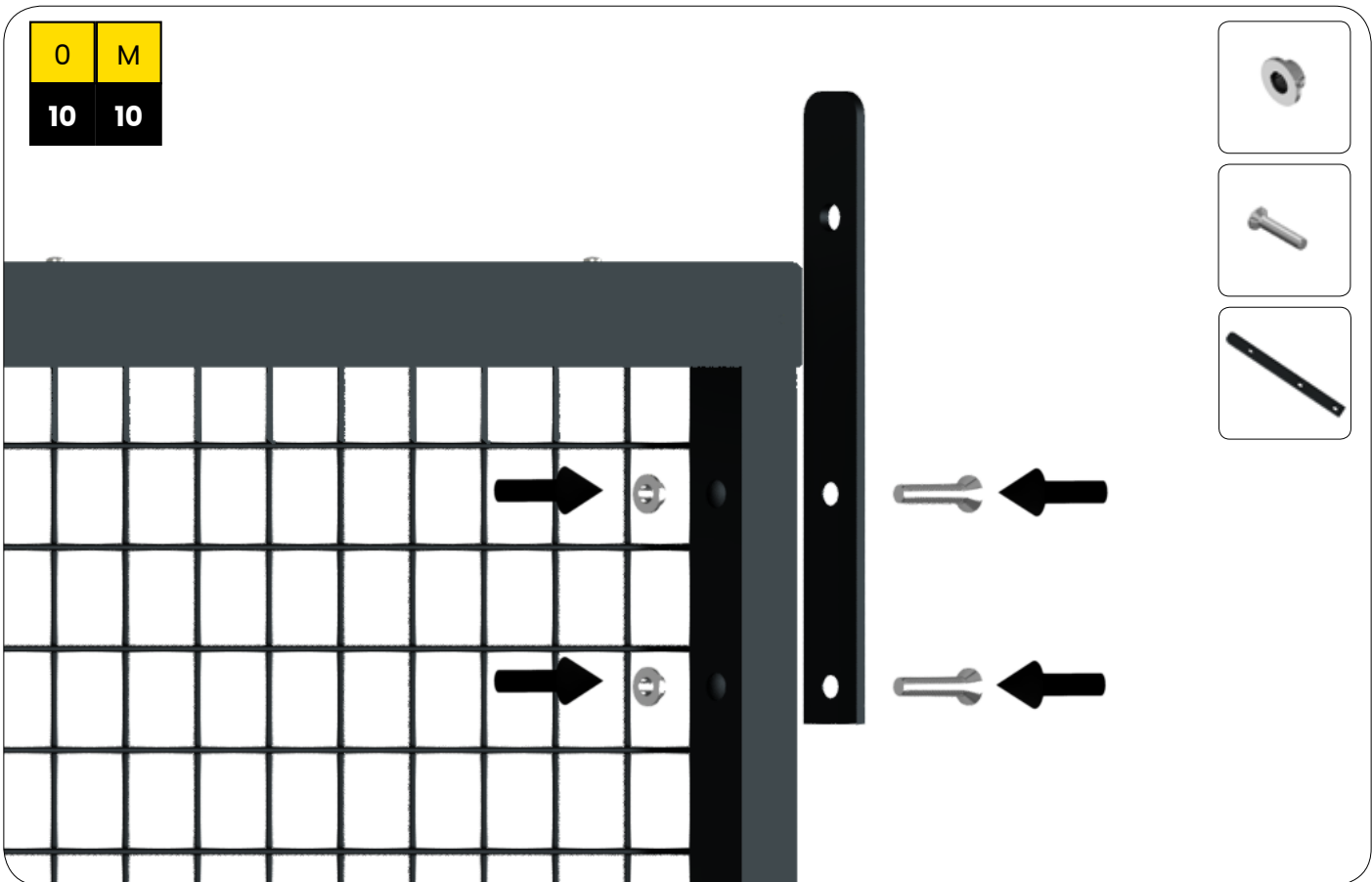
V	X	D	X	.	S	I	<b>1</b>	<b>B</b>	X	X	X	X	.	X	X	X	X	X	X	X
1	2	3	4	5	6	7	<b>8</b>	<b>9</b>	10	11	12	13	14	15	16	17	18	19	20	

**ASSEMBLY PHASE 6.**

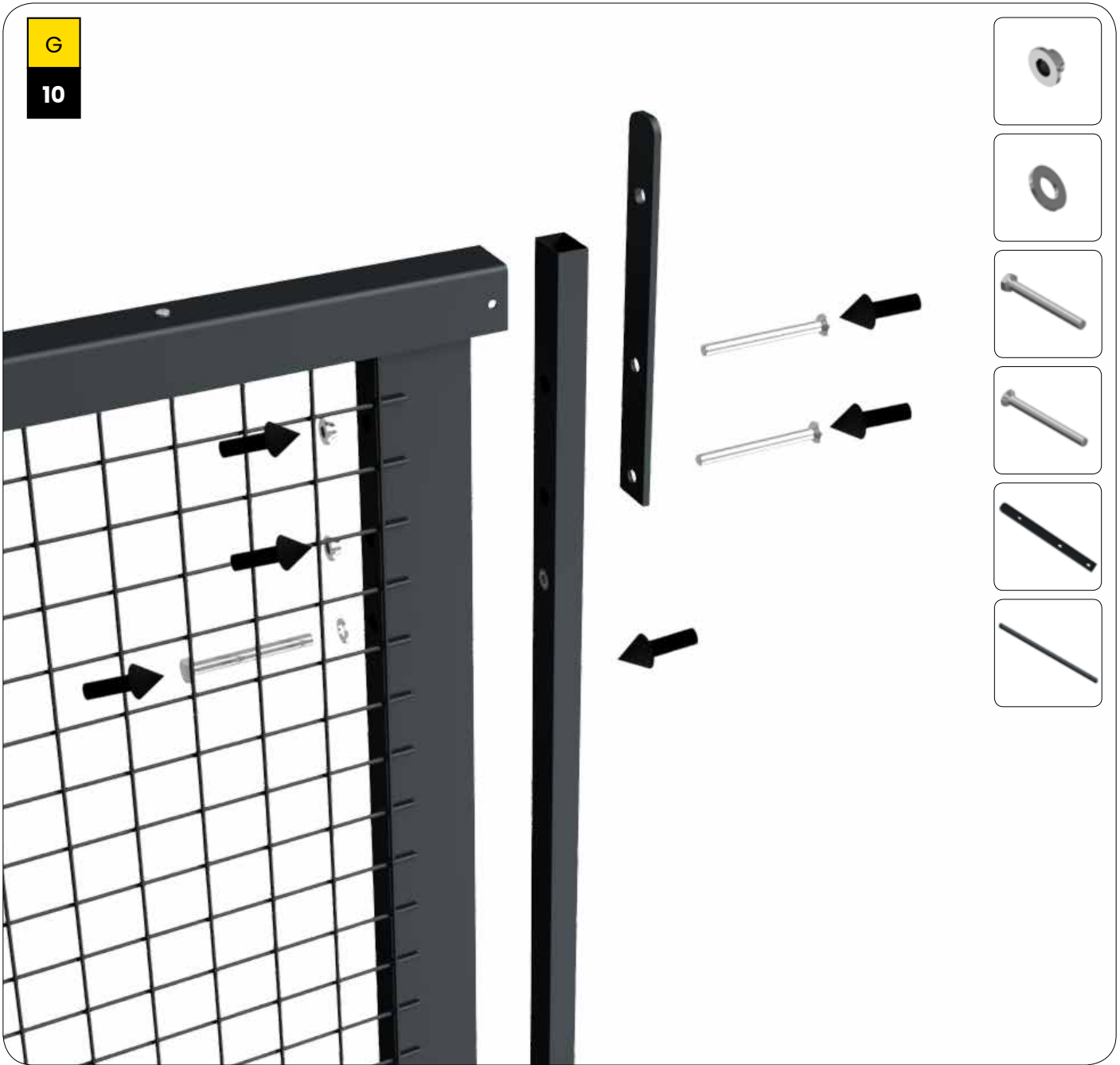


**ASSEMBLY PHASE 7.**

V	X	D	X	.	S	I	1	B	X	X	X	X	.	X	X	X	X	X	X
1	2	3	4	5	6	7	8	9	10	11	12	13	14	15	16	17	18	19	20

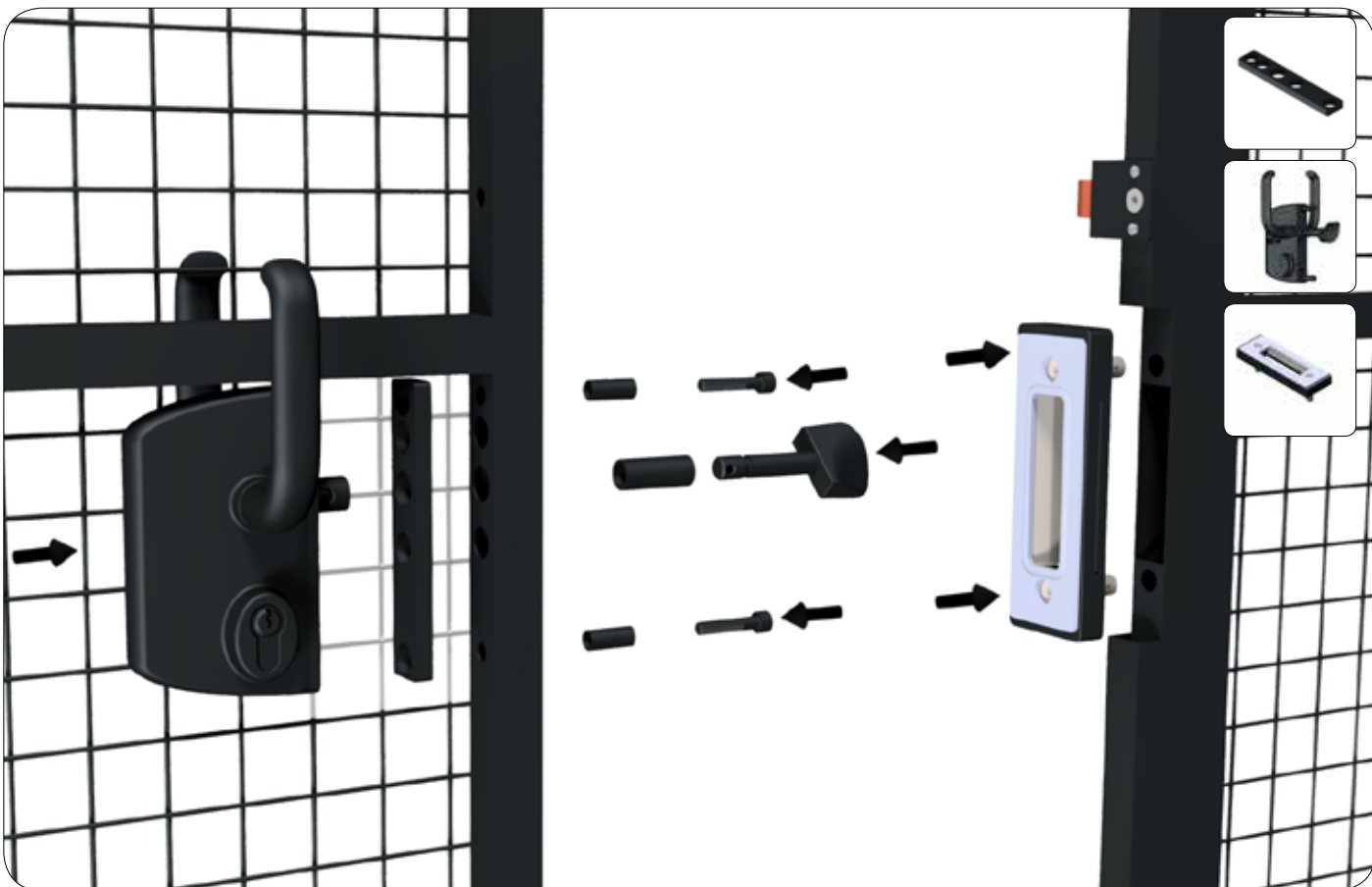
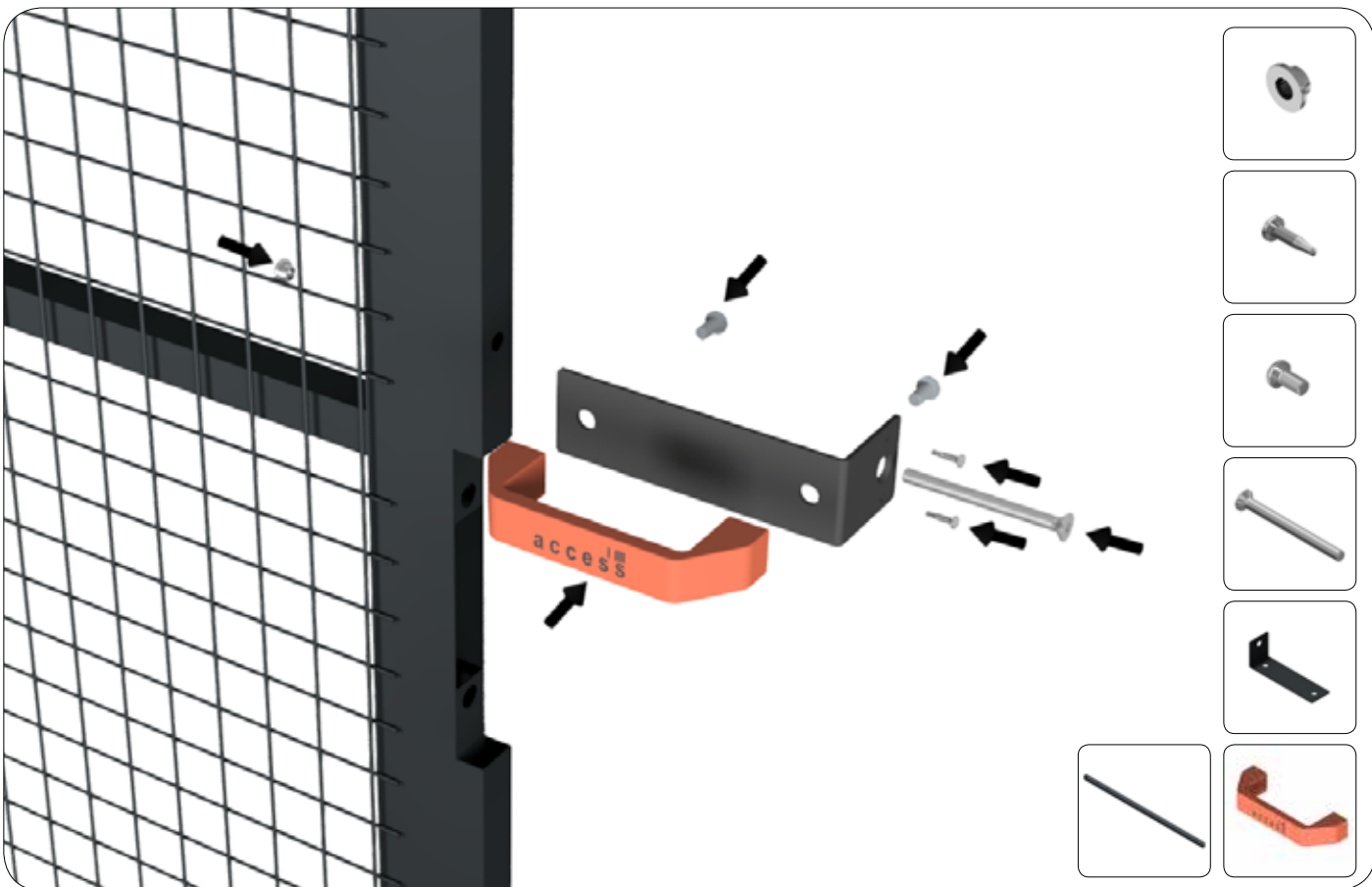


V	X	D	X	.	S	I	1	B	G	X	X	X	.	X	X	X	X	X	X
1	2	3	4	5	6	7	8	9	10	11	12	13	14	15	16	17	18	19	20



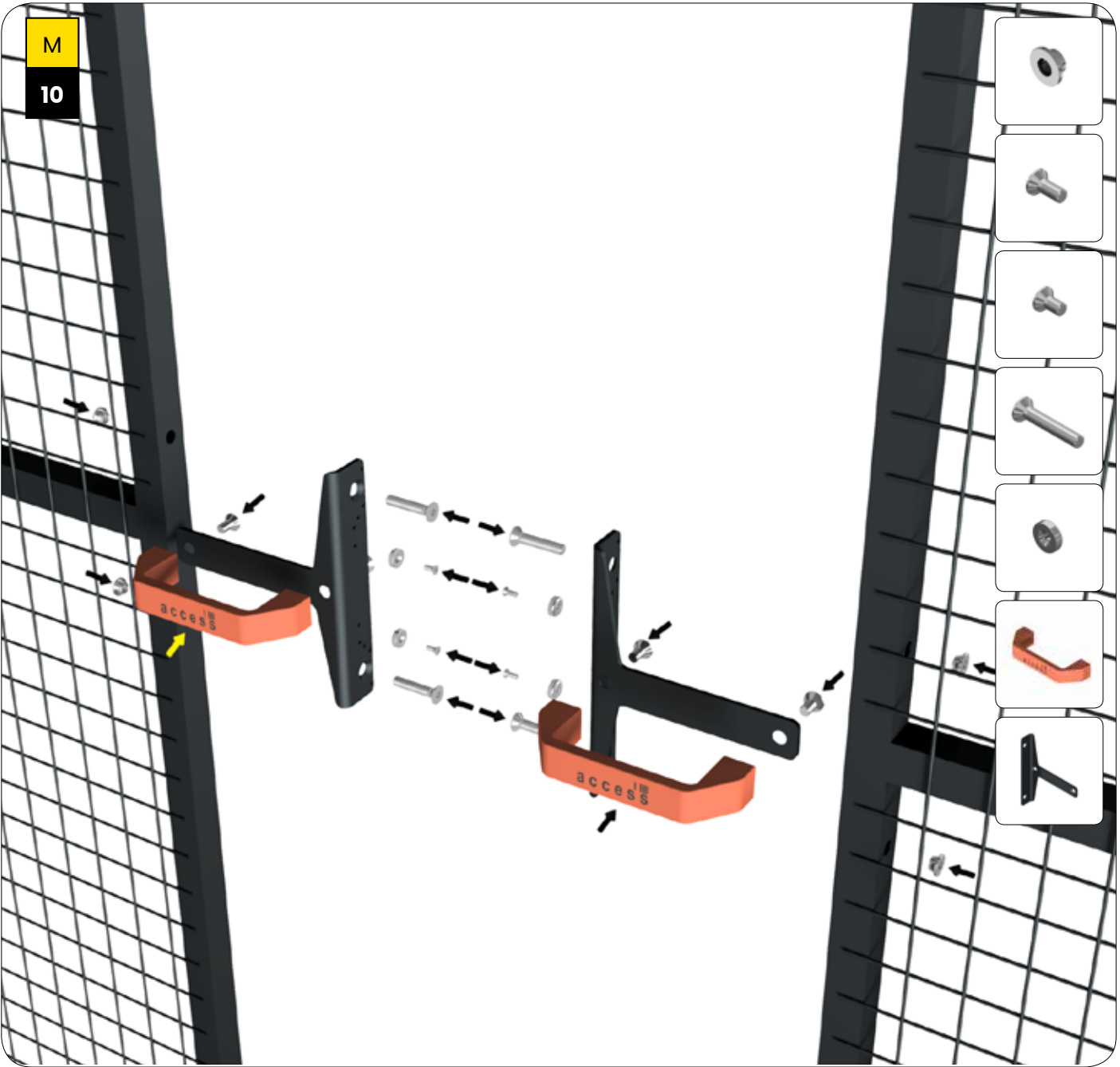
**ASSEMBLY PHASE 7.**

V	X	D	X	.	S	I	<b>1</b>	<b>B</b>	<b>G</b>	X	X	X	.	X	X	X	X	X	X
1	2	3	4	5	6	7	8	9	10	11	12	13	14	15	16	17	18	19	20



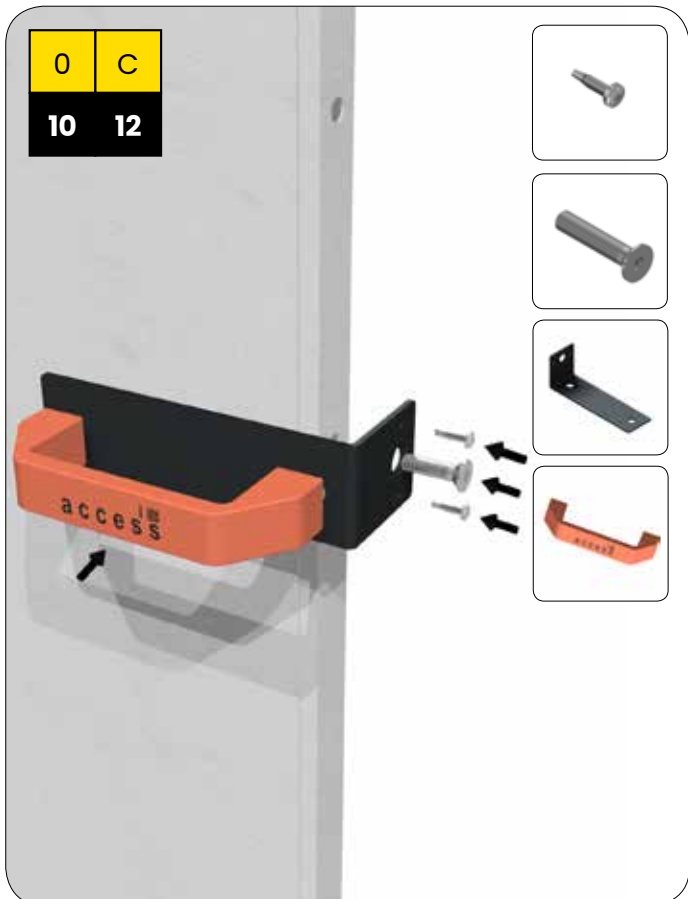
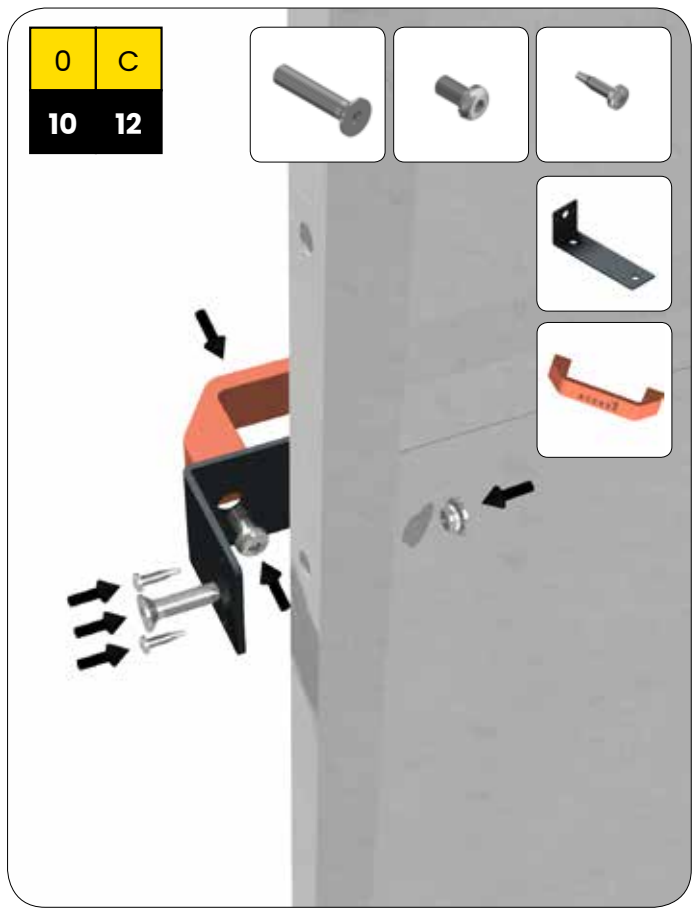
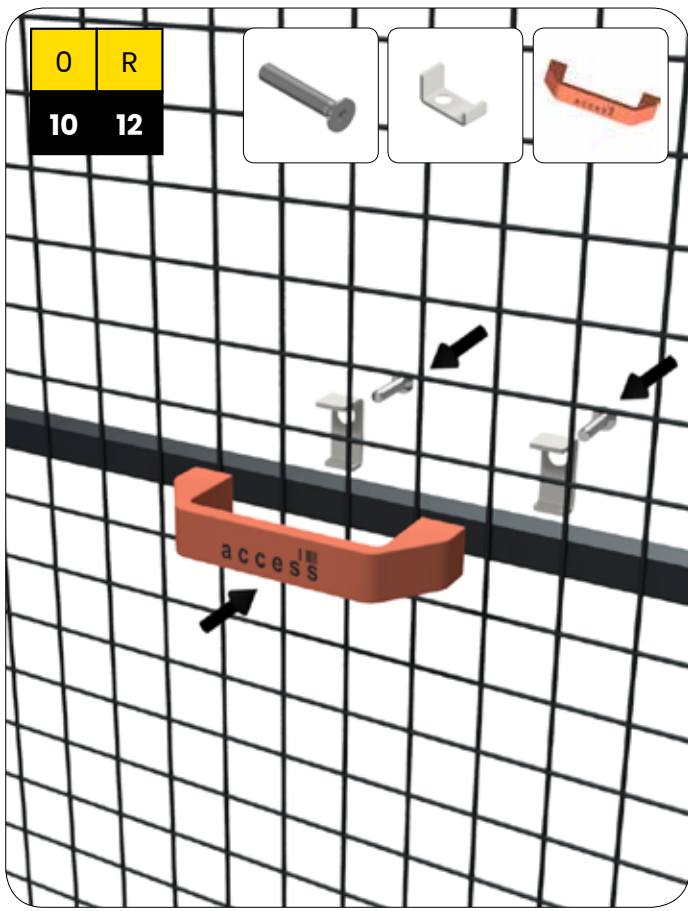


V	X	D	X	.	S	I	<b>I</b>	<b>B</b>	<b>M</b>	X	X	X	.	X	X	X	X	X	X
1	2	3	4	5	6	7	8	9	10	11	12	13	14	15	16	17	18	19	20

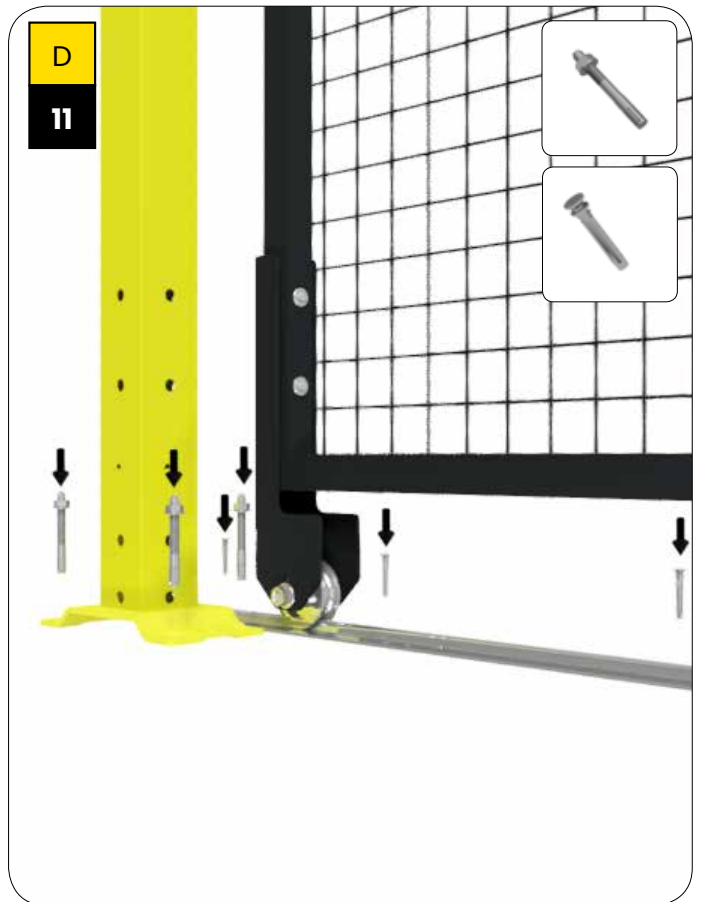
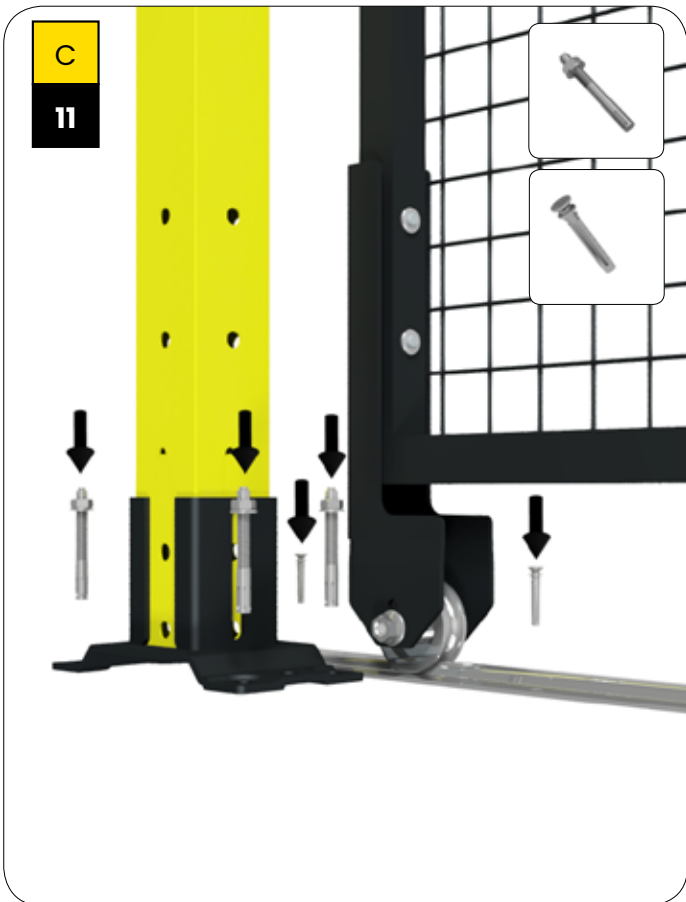
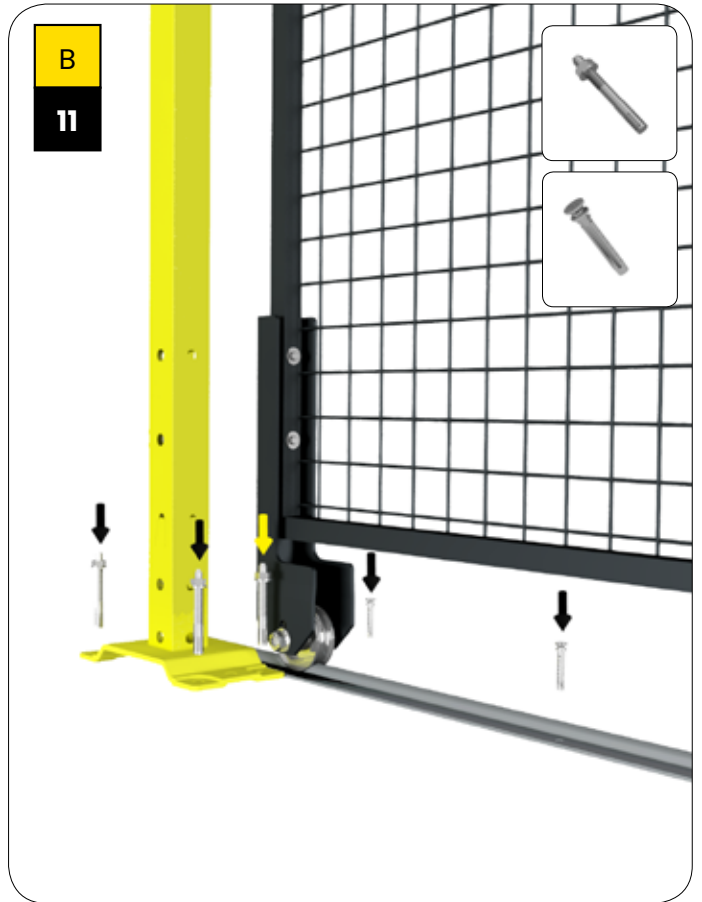
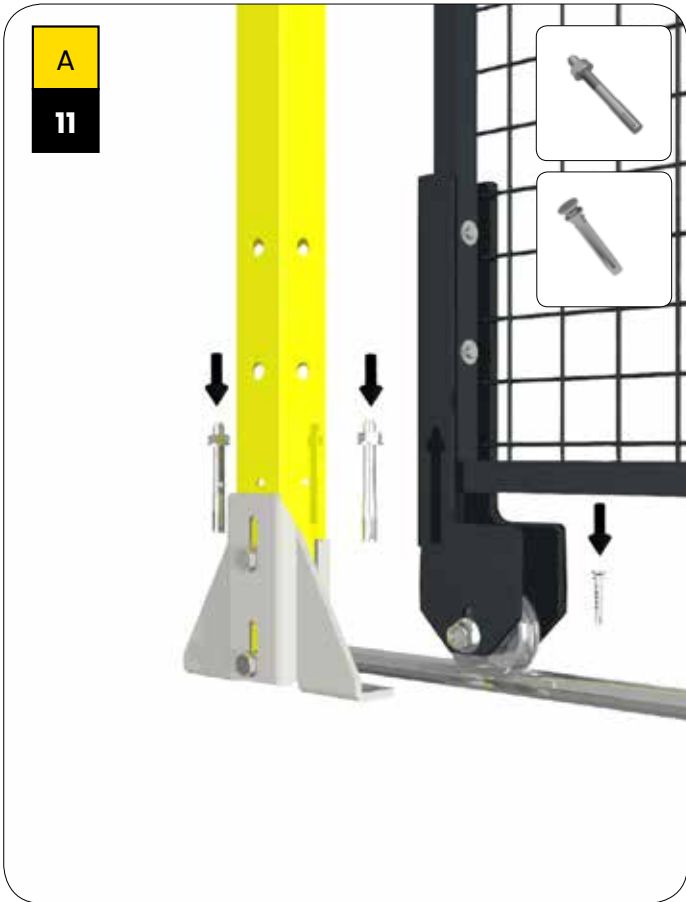


**ASSEMBLY PHASE 8.**

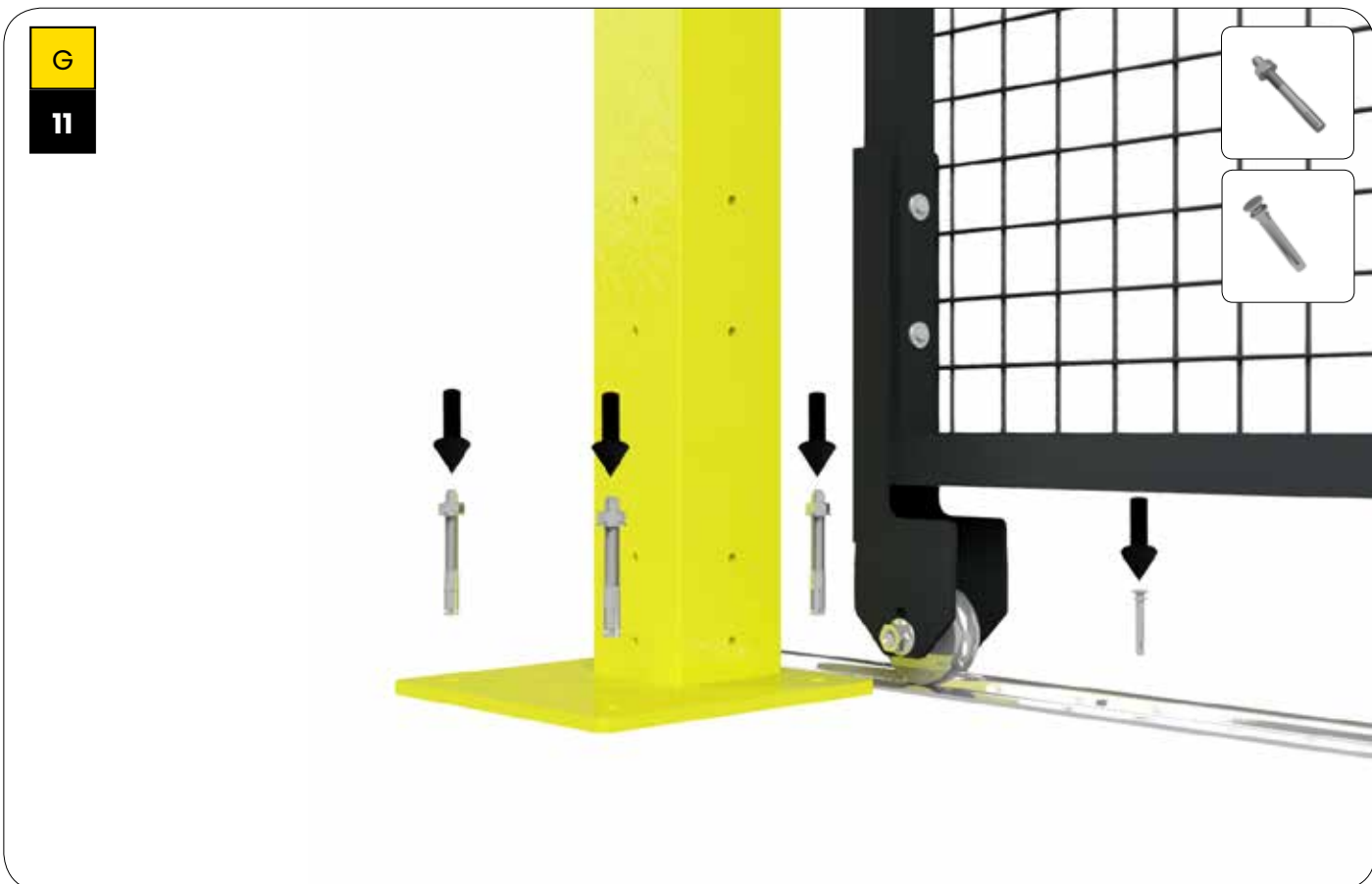
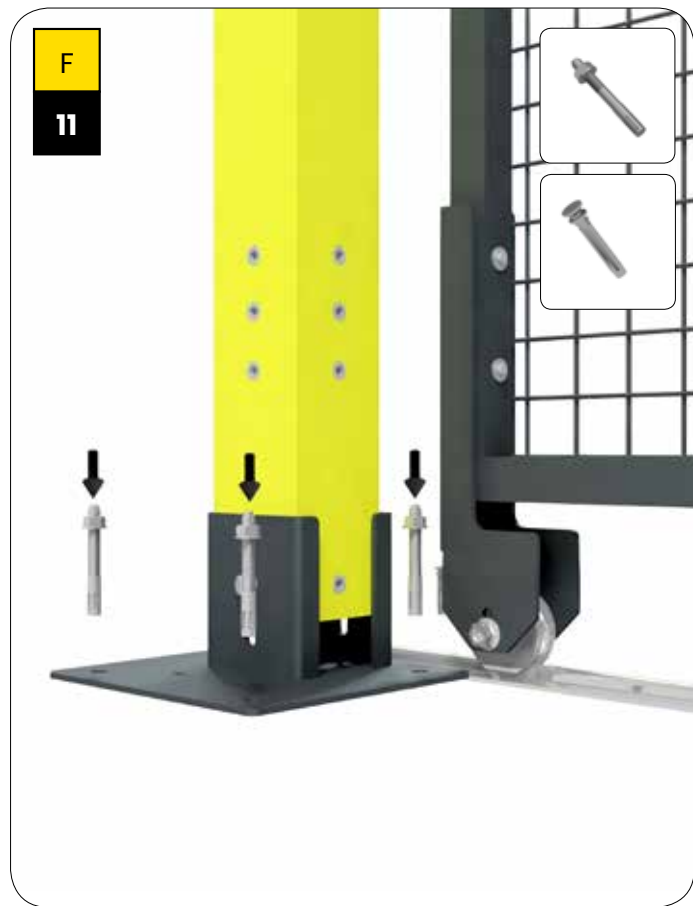
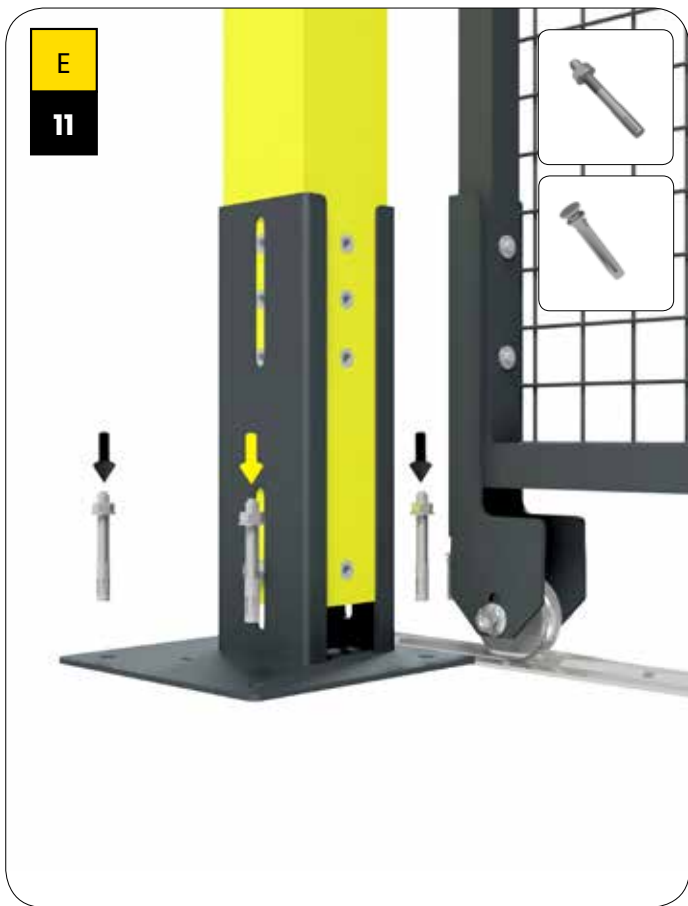
V	X	D	X	.	S	I	1	B	0	X	X	X	X	X	X	X	X	X	
1	2	3	4	5	6	7	8	9	10	11	12	13	14	15	16	17	18	19	20



V	X	D	X	.	S	I	X	X	X	X	X	X	.	X	X	X	X	X	X
1	2	3	4	5	6	7	8	9	10	11	12	13	14	15	16	17	18	19	20



V	X	D	X	.	S	I	X	X	X	X	X	X	.	X	X	X	X	X	X
1	2	3	4	5	6	7	8	9	10	11	12	13	14	15	16	17	18	19	20











LEGAL HEAD OFFICE AND PRODUCTION  
Via Provinciale 56, n. 56  
23878 Verderio (LC)

HEAD OFFICE  
via San Francesco d'Assisi, n. 16  
23899 Robbiate (Lc)

Tel. +39 039 9515951  
Fax +39 039 513257  
[info@accessafe.eu](mailto:info@accessafe.eu)  
[www.accessafe.eu](http://www.accessafe.eu)