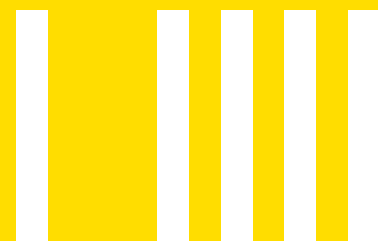
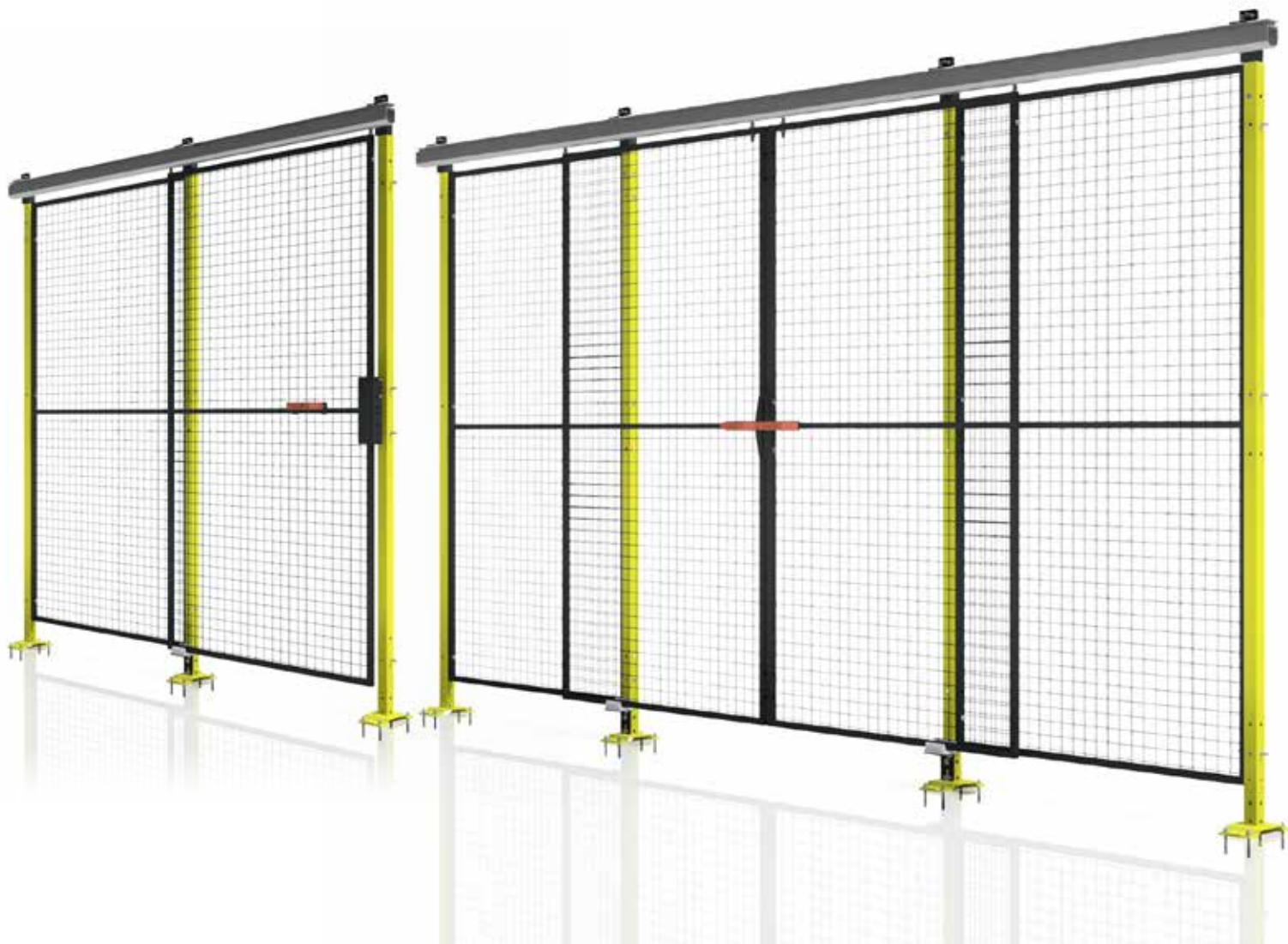


# UPPER GUIDE SLIDING DOOR.

**access**  
SMART SAFEGUARDING

ISTRUZIONI DI MONTAGGIO  
ASSEMBLY INSTRUCTION  
INSTRUCTIONS DE MONTAGE  
MONTAGEANLEITUNG  
INSTRUCCIONES DE MONTAJE  
NĀVOD NA MONTĀZ  
MONTER INGSVEJ LEDNING  
NAVODILA ZA VGRADJO  
SISTEM INSTRUÇÕES DE MONTAGE



# BOX AND LABEL CODE

V	X	D	X	.	S	S	X	X	X	X	X	X	.	X	X	X	X	X	X
1	2	3	4	5	6	7	8	9	10	11	12	13	14	15	16	17	18	19	20



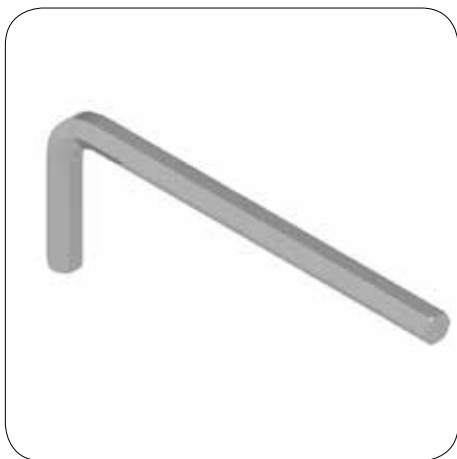
# TOOLS



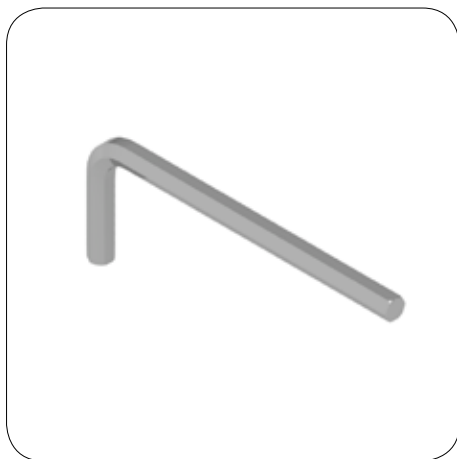
13MM



7MM



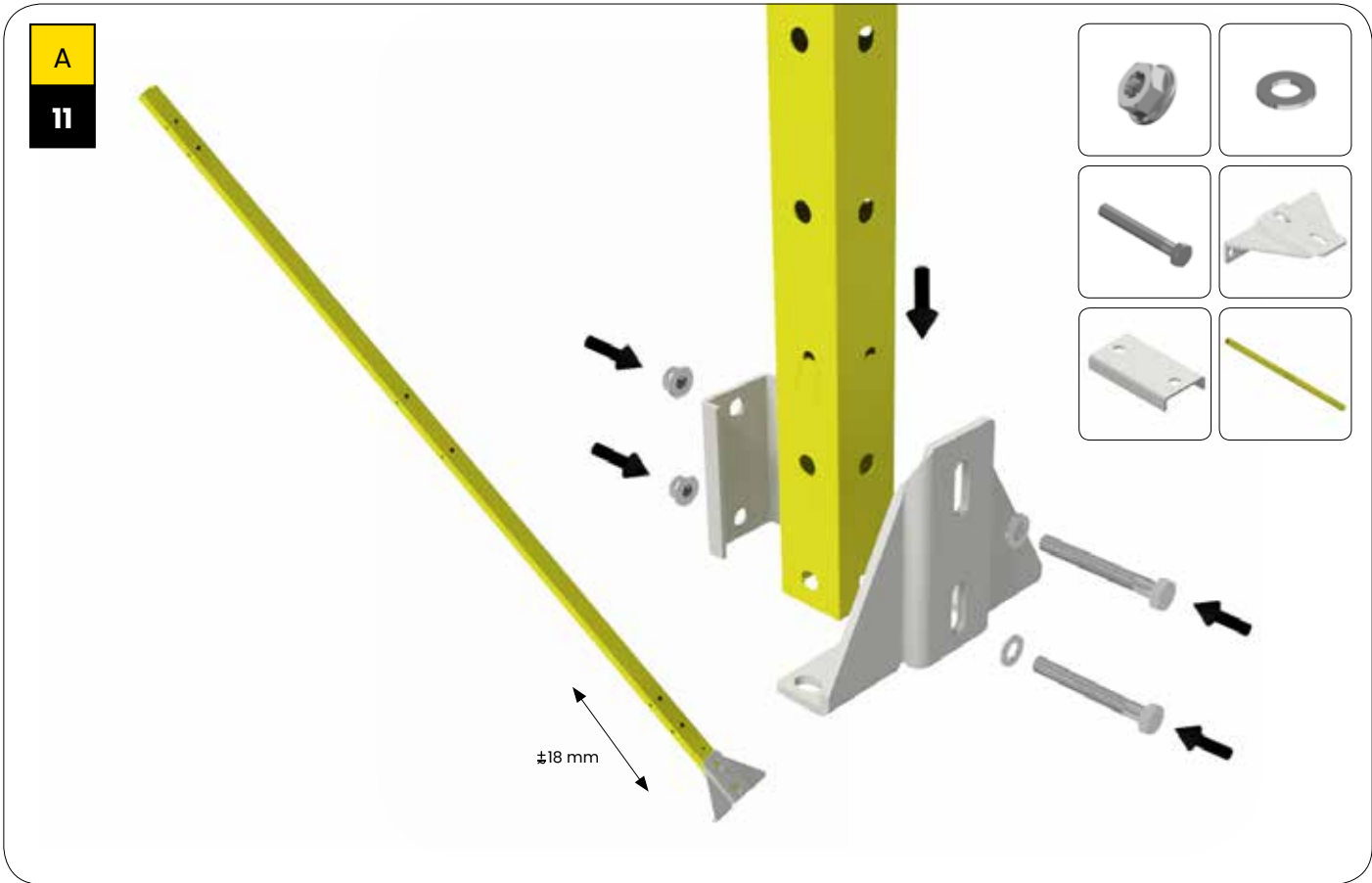
5MM



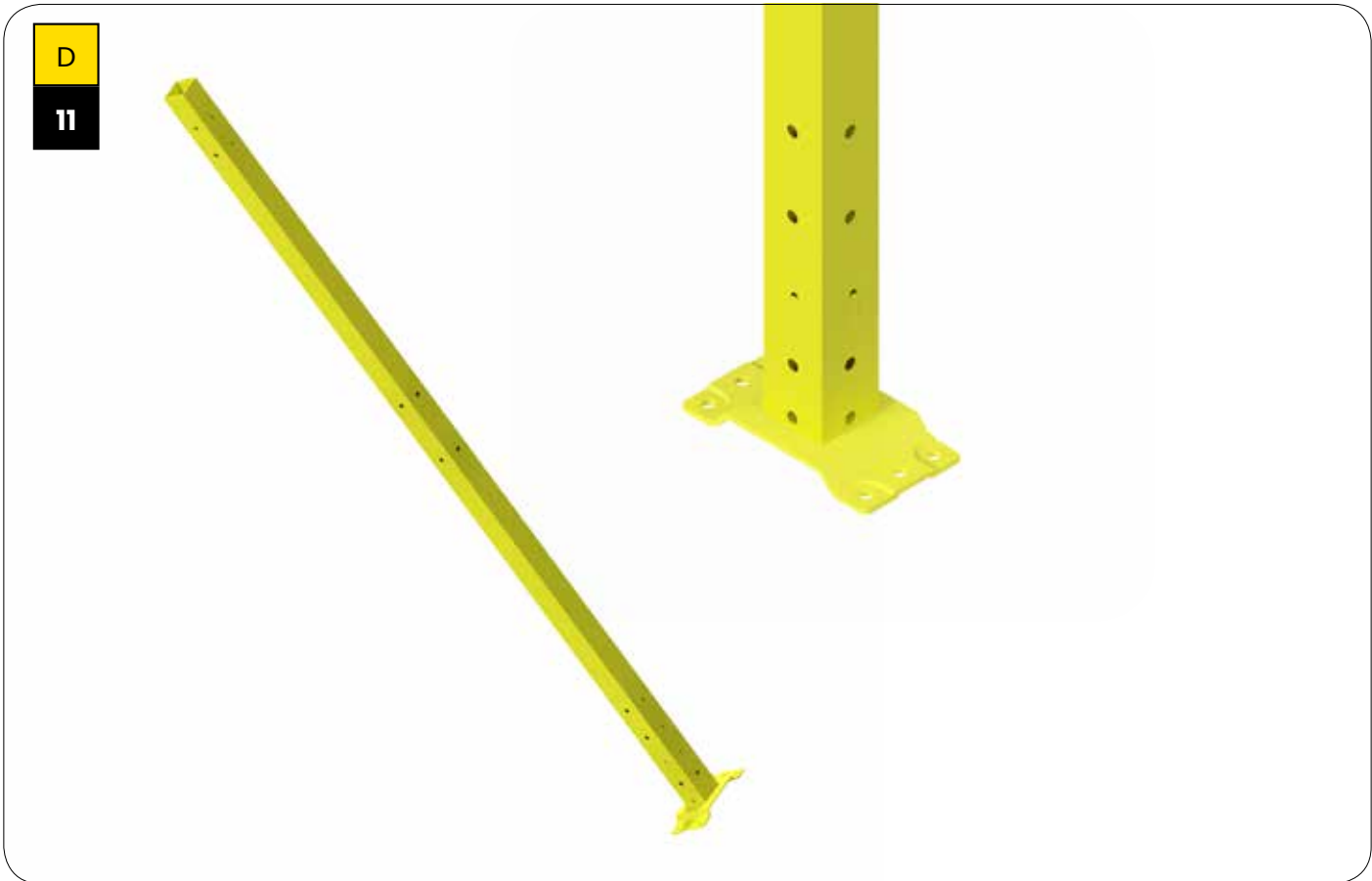
2,5 MM



V	X	D	X	.	S	S	X	X	X	X	X	X	.	X	X	X	X	X	X
1	2	3	4	5	6	7	8	9	10	11	12	13	14	15	16	17	18	19	20



V	X	D	X	.	S	S	X	X	X	X	X	X	.	X	X	X	X	X	X
1	2	3	4	5	6	7	8	9	10	11	12	13	14	15	16	17	18	19	20



V	X	D	X	.	S	S	X	X	X	X	X	X	.	X	X	X	X	X	X
1	2	3	4	5	6	7	8	9	10	11	12	13	14	15	16	17	18	19	20

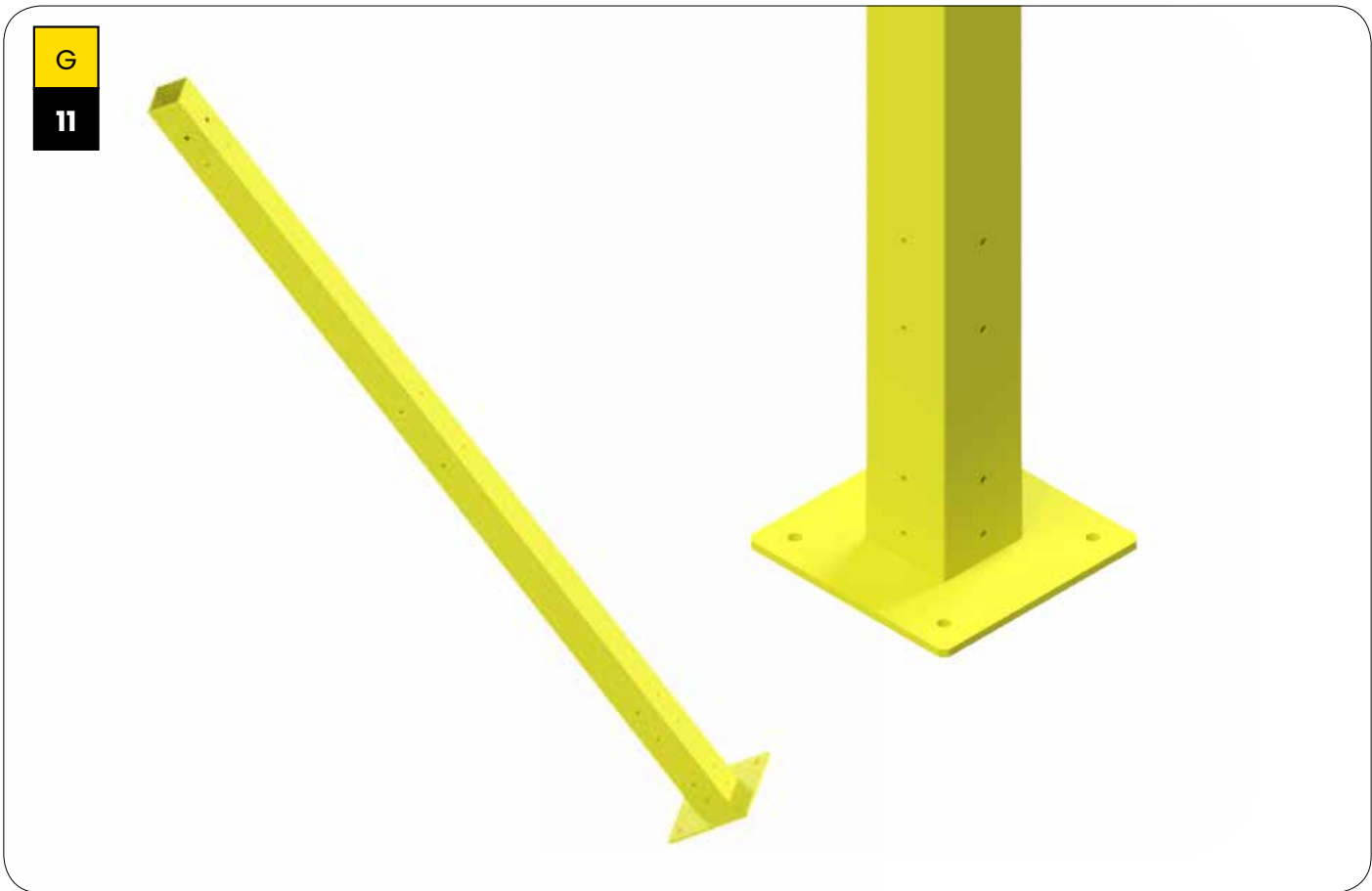
E

11

F

11

V	X	D	X	.	S	S	X	X	X	X	X	X	.	X	X	X	X	X	X
1	2	3	4	5	6	7	8	9	10	11	12	13	14	15	16	17	18	19	20

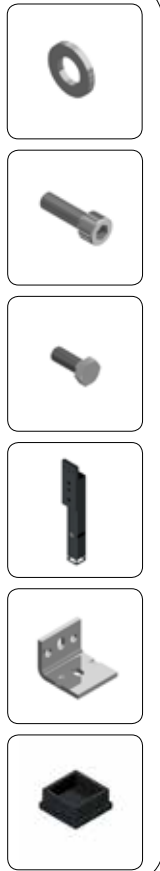
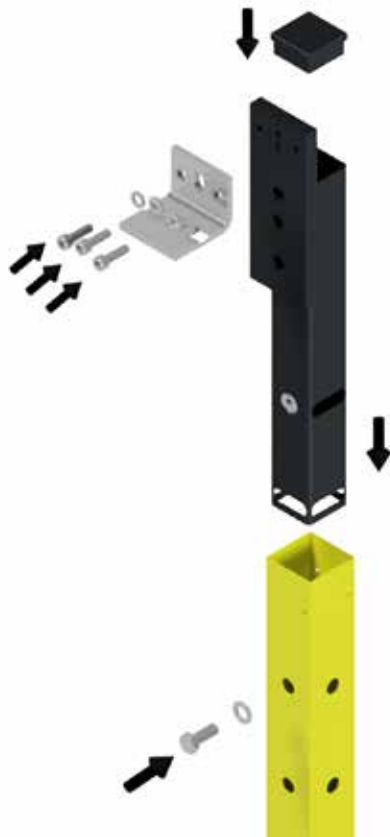


**ASSEMBLY PHASE 1.**

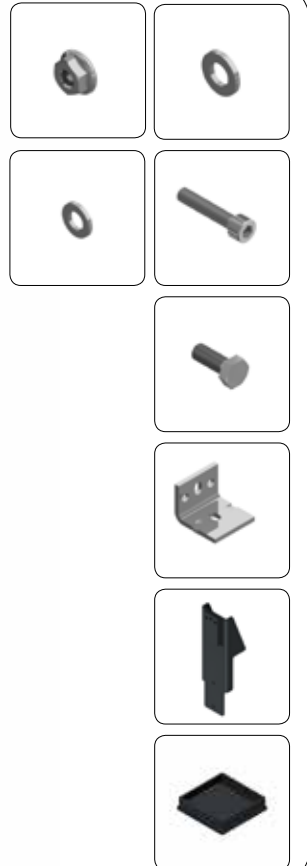
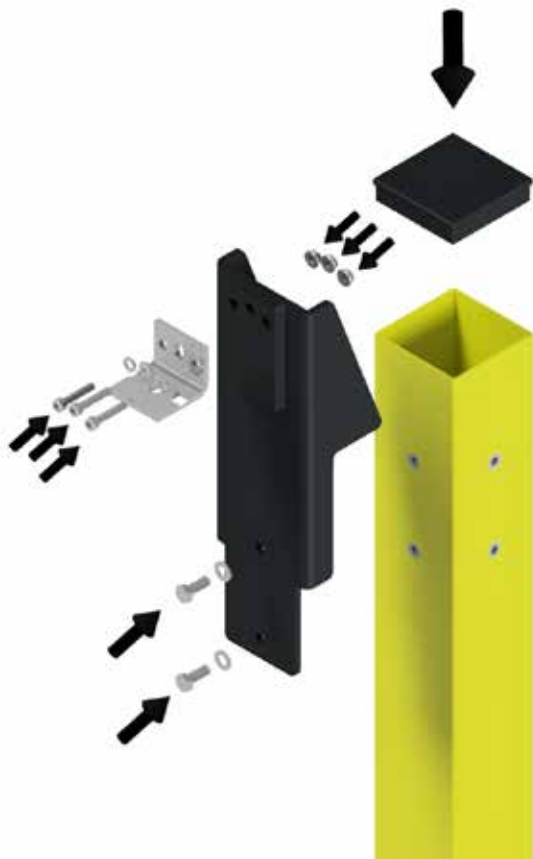


V	X	D	X	.	S	S	X	X	X	X	X	X	.	X	X	X	X	X	X	X
1	2	3	4	5	6	7	8	9	10	11	12	13	14	15	16	17	18	19	20	

A	B	C	D
11	11	11	11



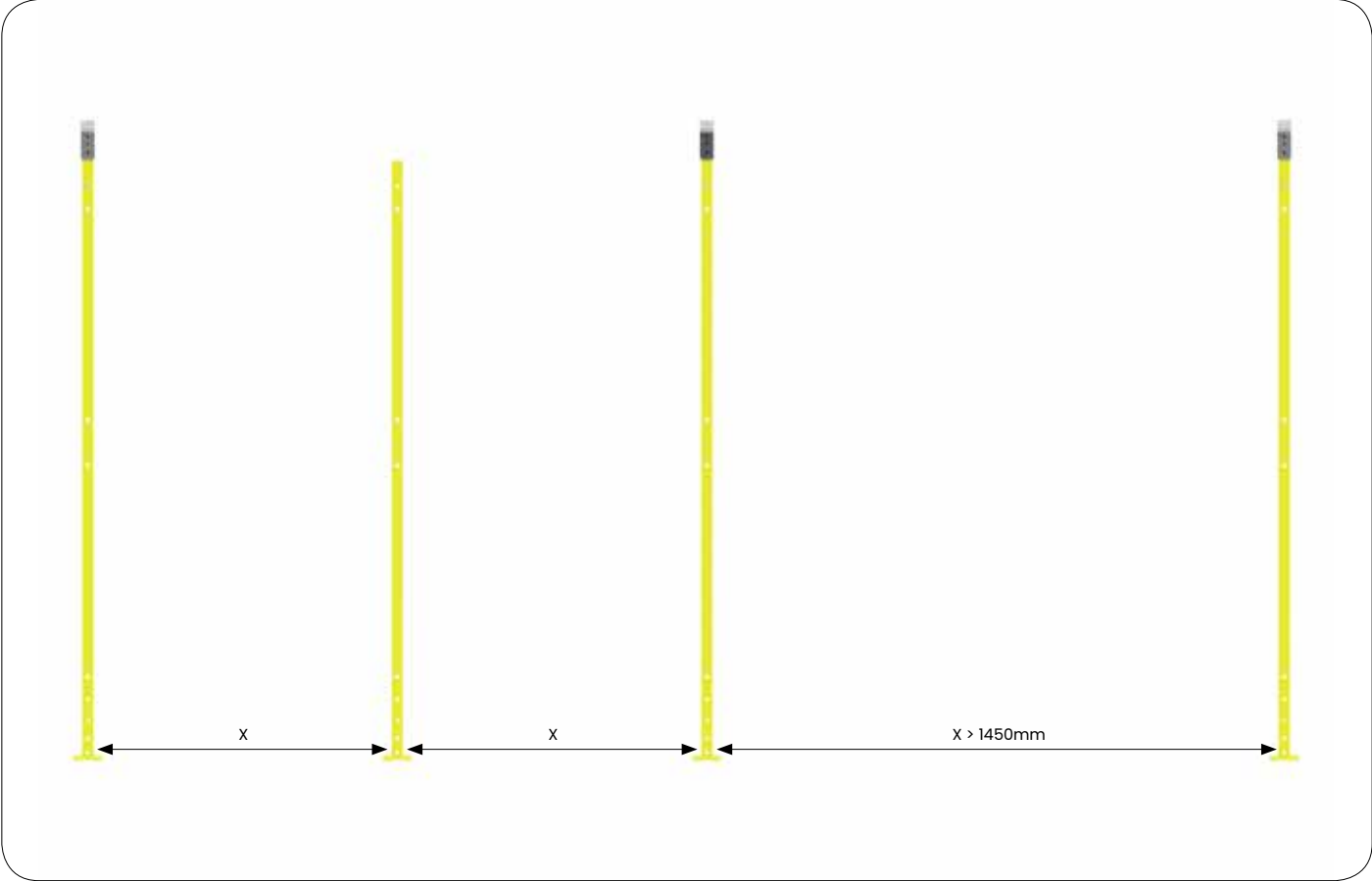
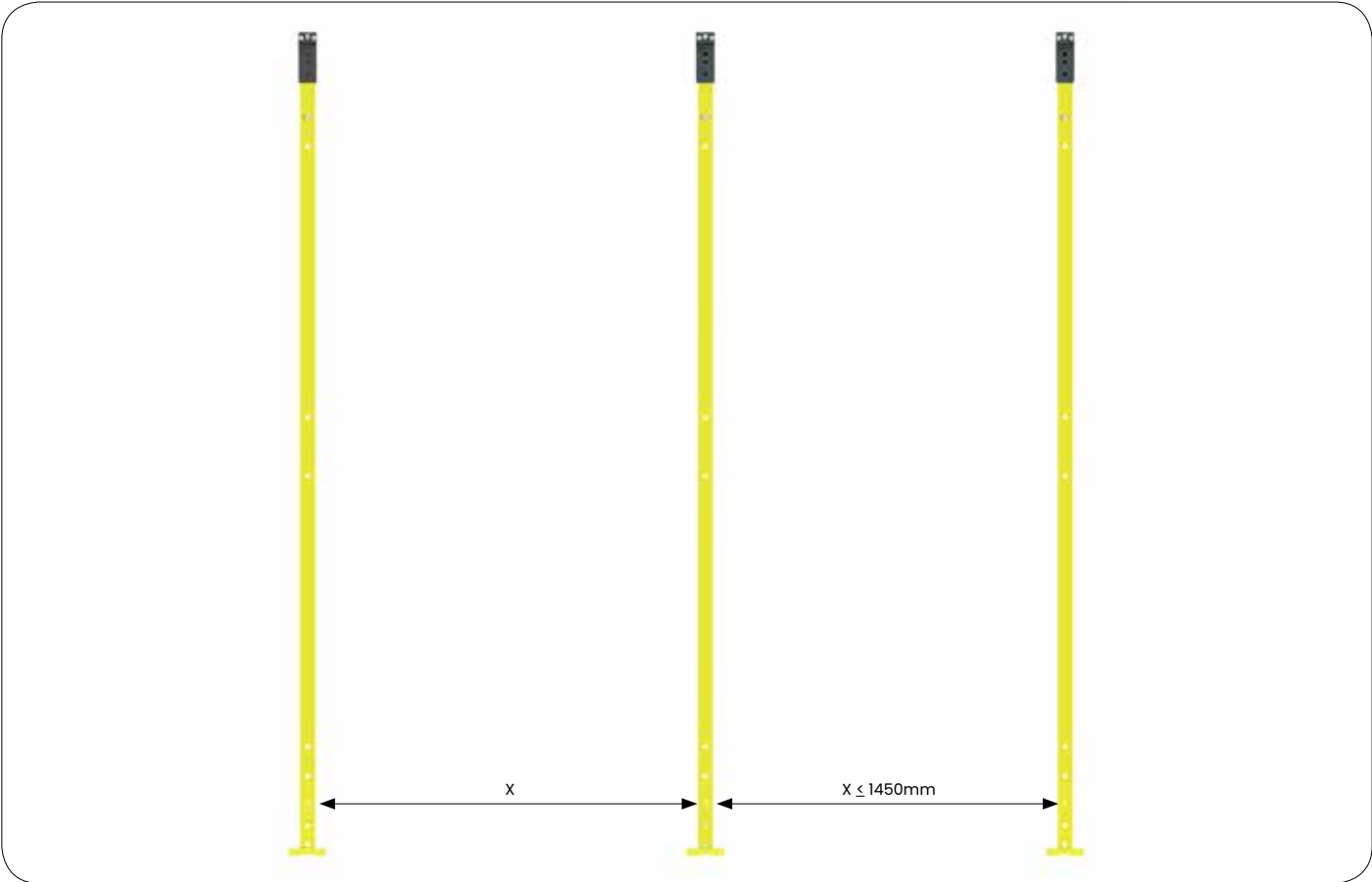
E	F	G
11	11	11



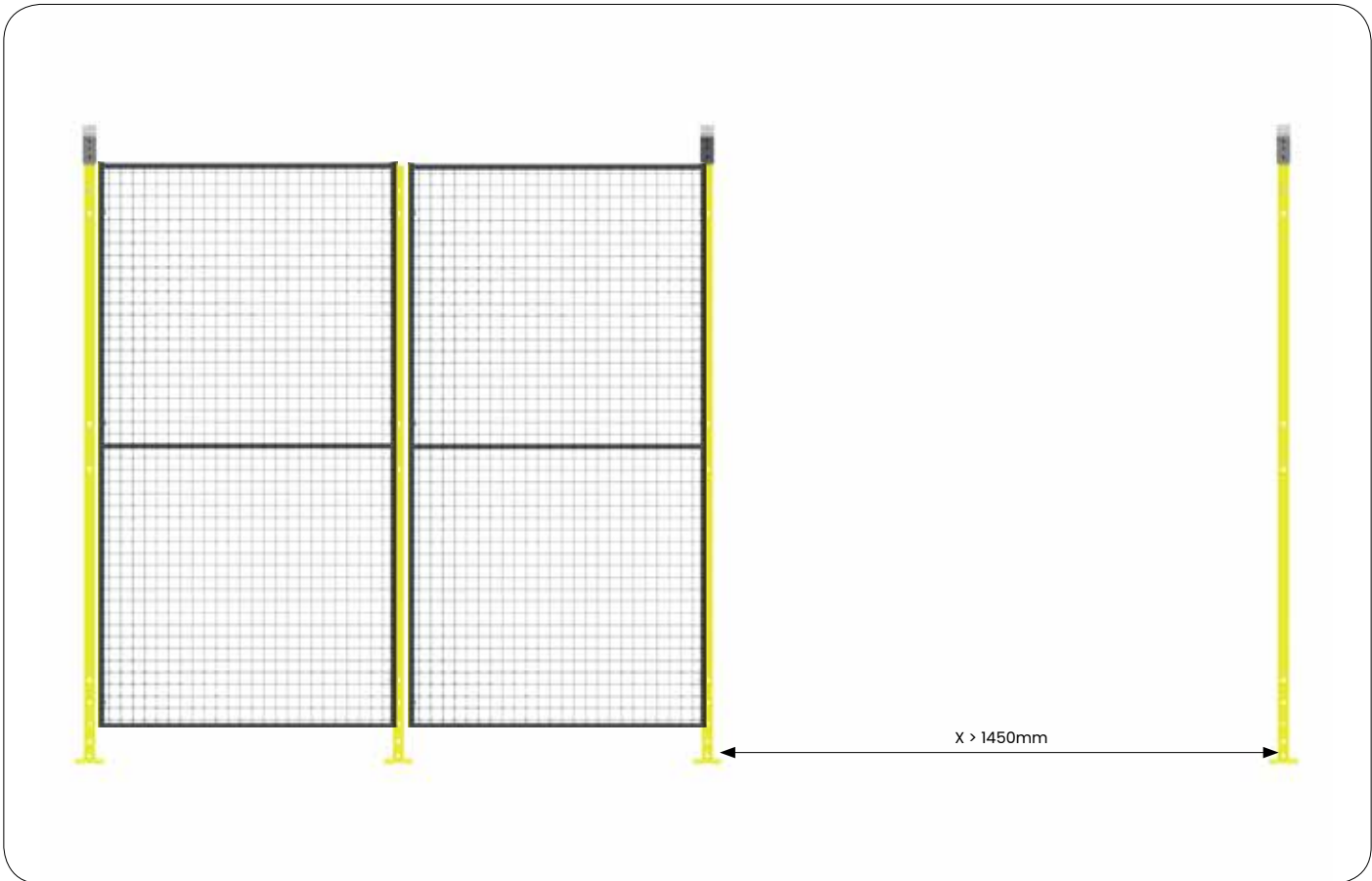
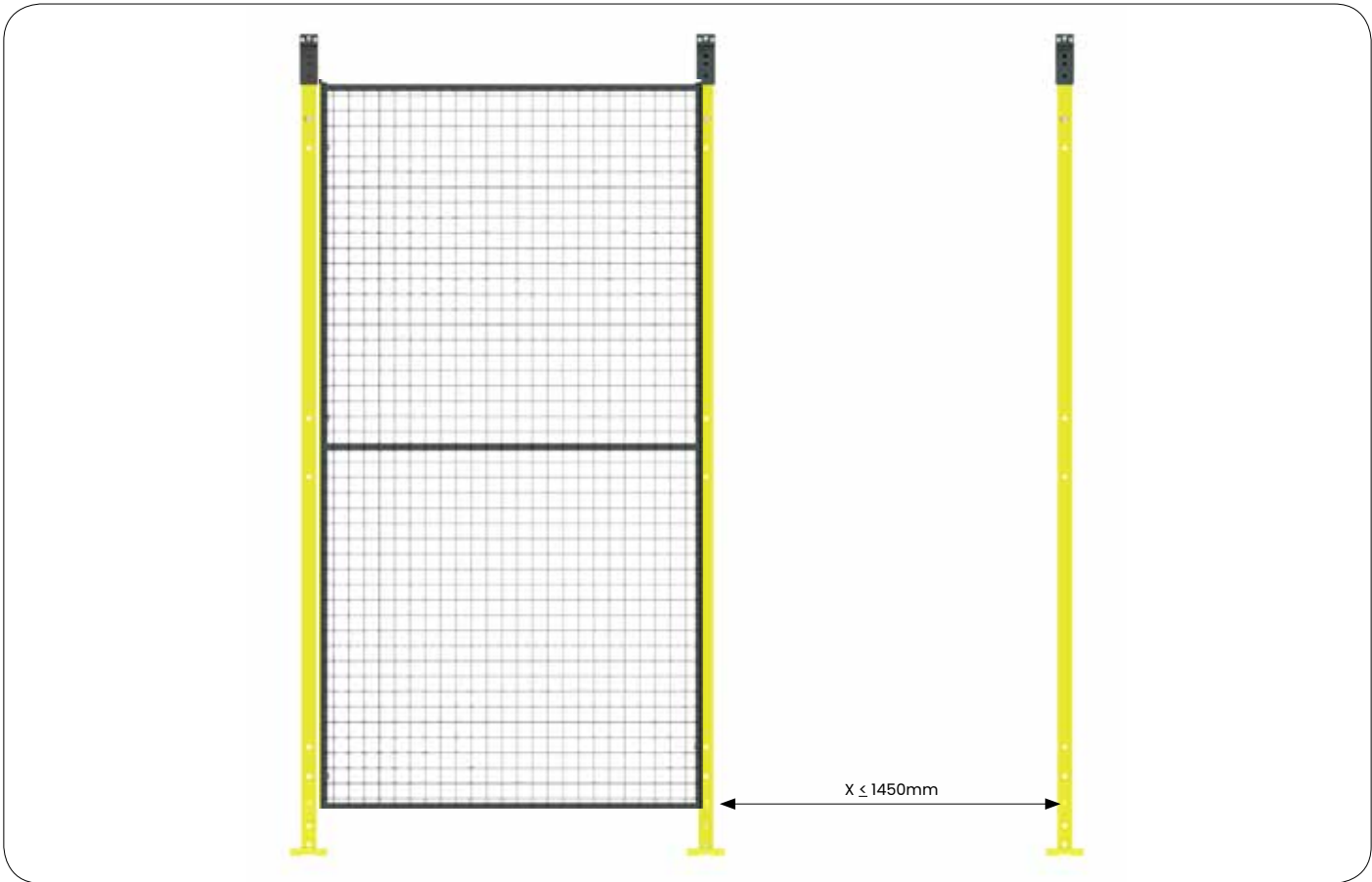


V	X	D	X	.	S	S	1	A	X	X	X	X	.	X	X	X	X	X	X
1	2	3	4	5	6	7	8	9	10	11	12	13	14	15	16	17	18	19	20

ASSEMBLY PHASE 3.

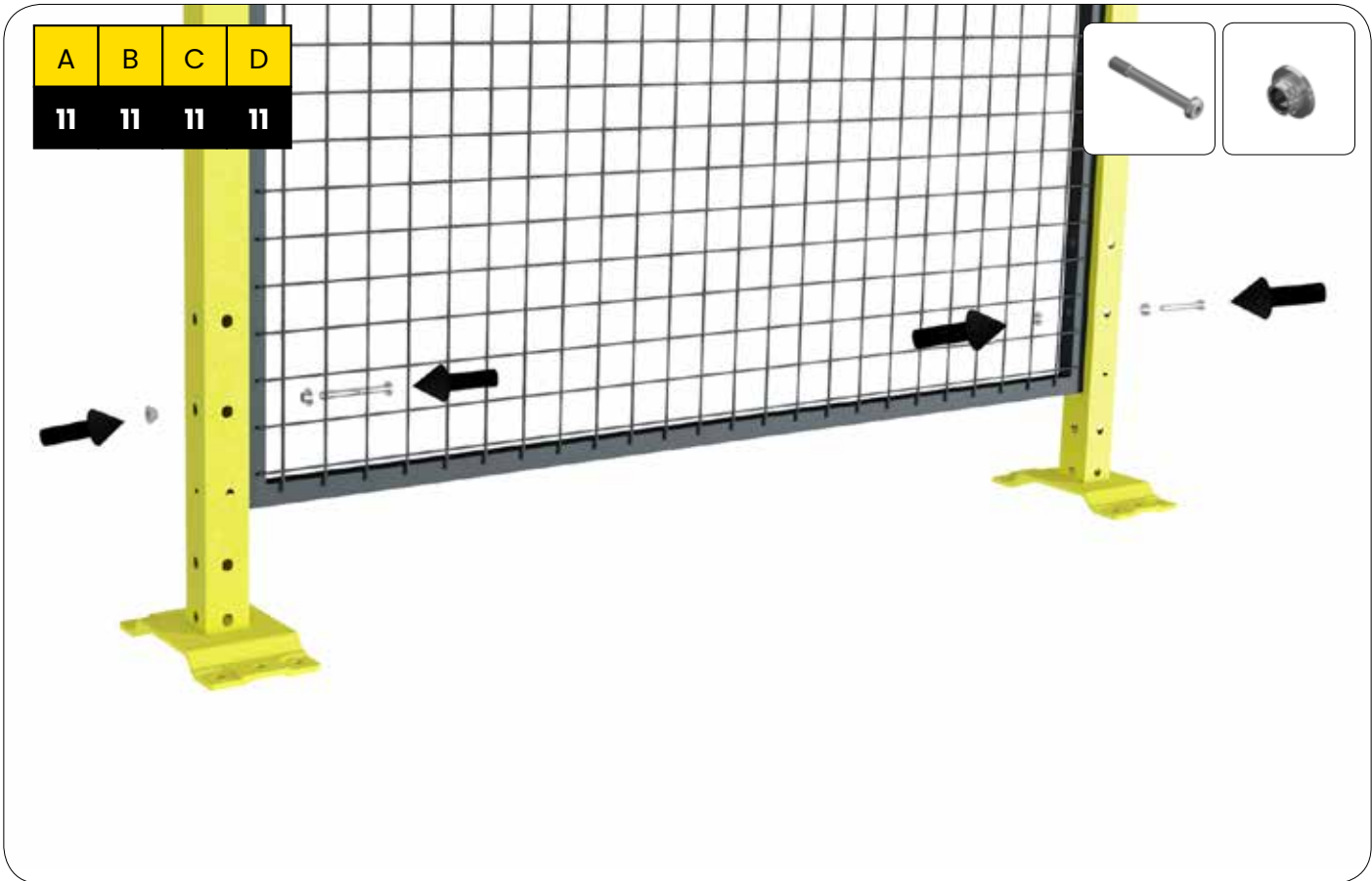
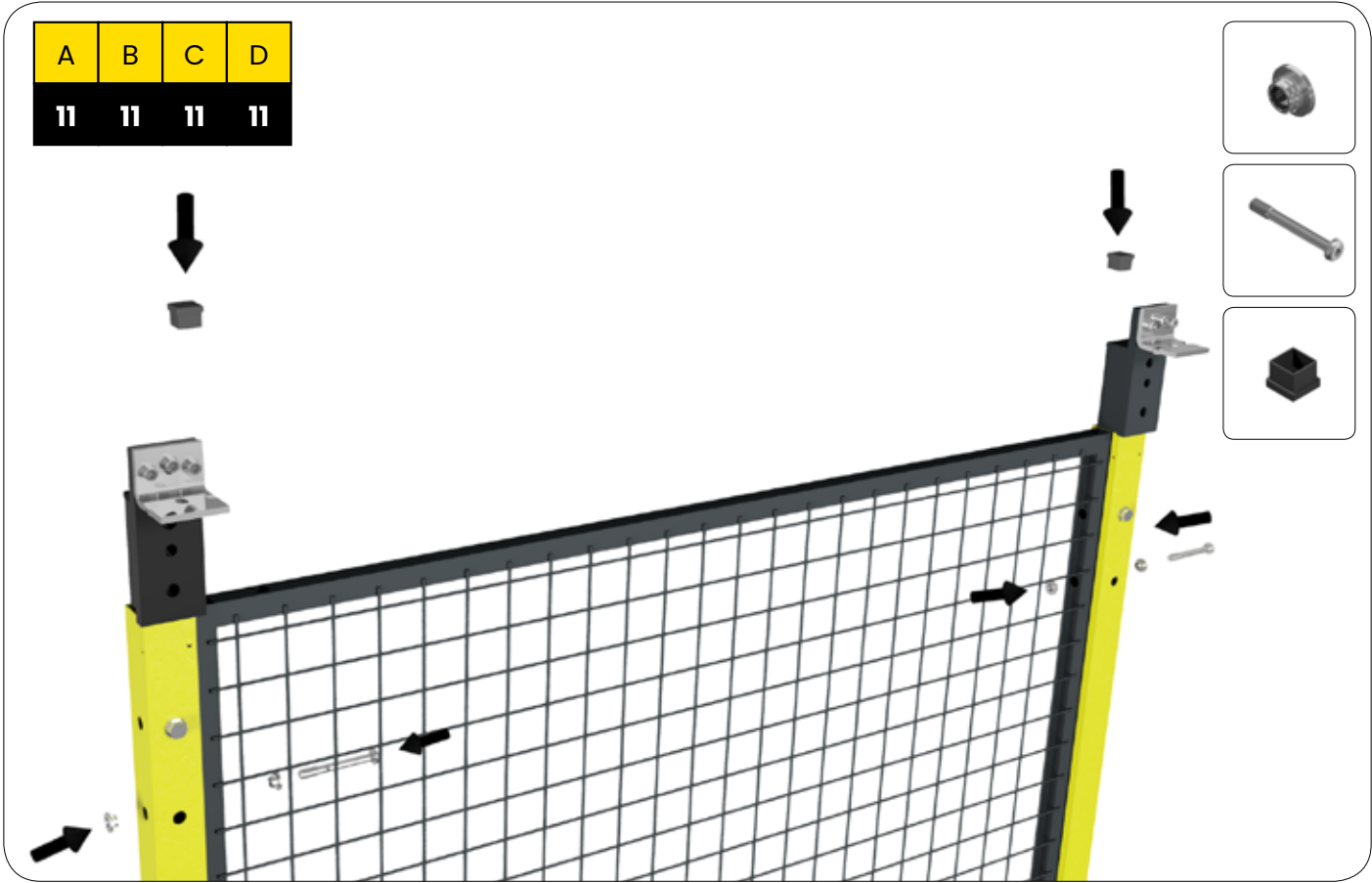


V	X	D	X	.	S	S	1	A	X	X	X	X	.	X	X	X	X	X	X	X
1	2	3	4	5	6	7	8	9	10	11	12	13	14	15	16	17	18	19	20	



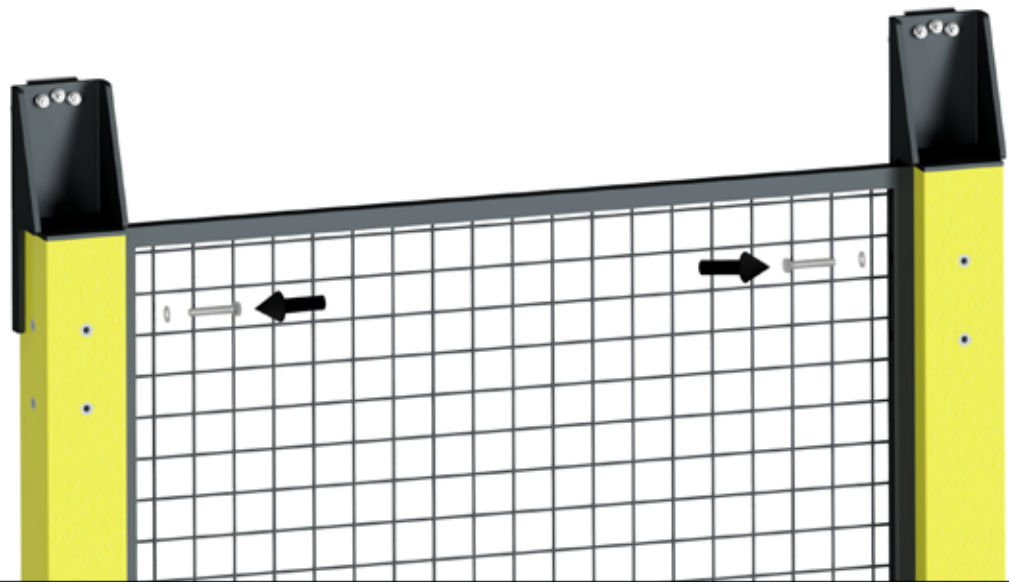
V	X	D	X	.	S	S	1	A	X	X	X	X	.	X	X	X	X	X	X
1	2	3	4	5	6	7	8	9	10	11	12	13	14	15	16	17	18	19	20

**ASSEMBLY PHASE 4.**

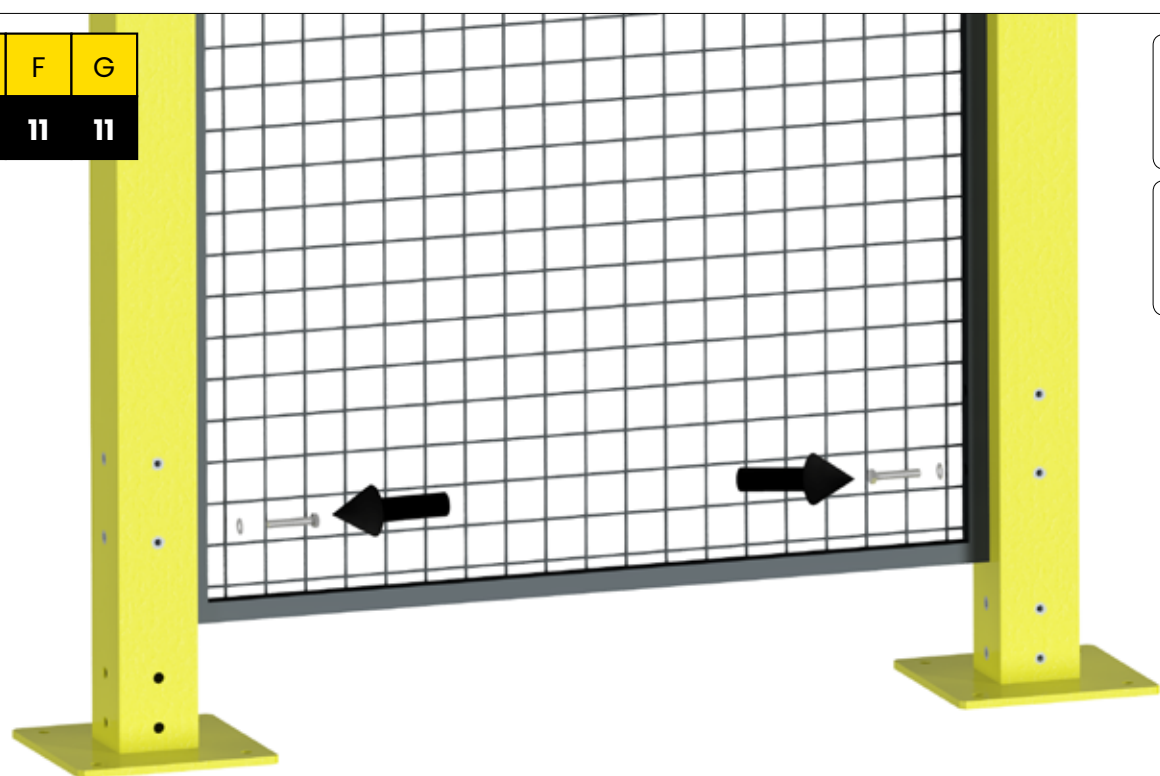


V	X	D	X	.	S	S	1	A	X	X	X	X	.	X	X	X	X	X	X
1	2	3	4	5	6	7	8	9	10	11	12	13	14	15	16	17	18	19	20

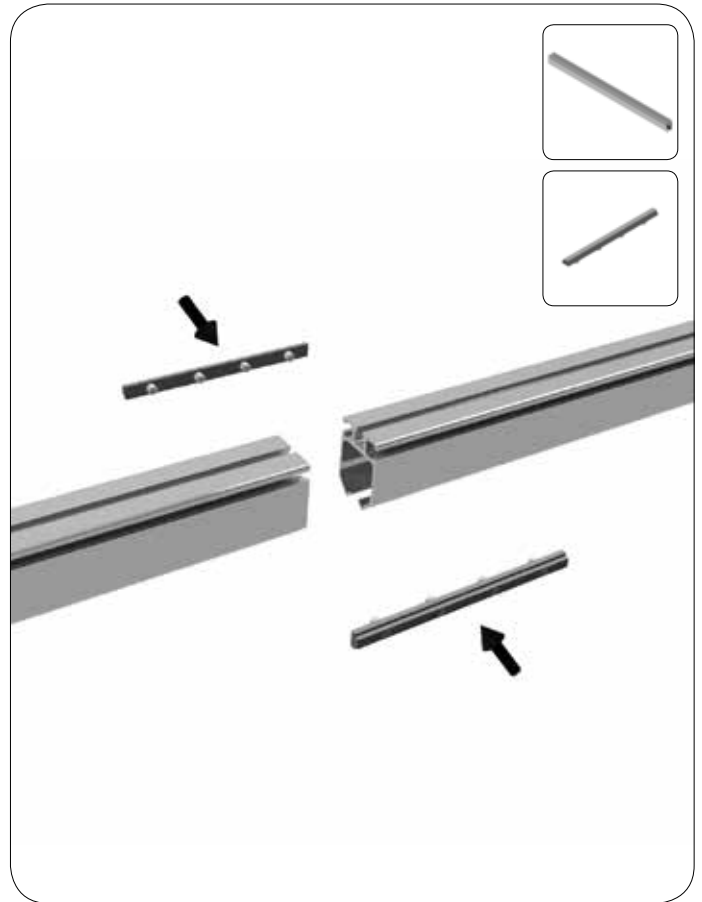
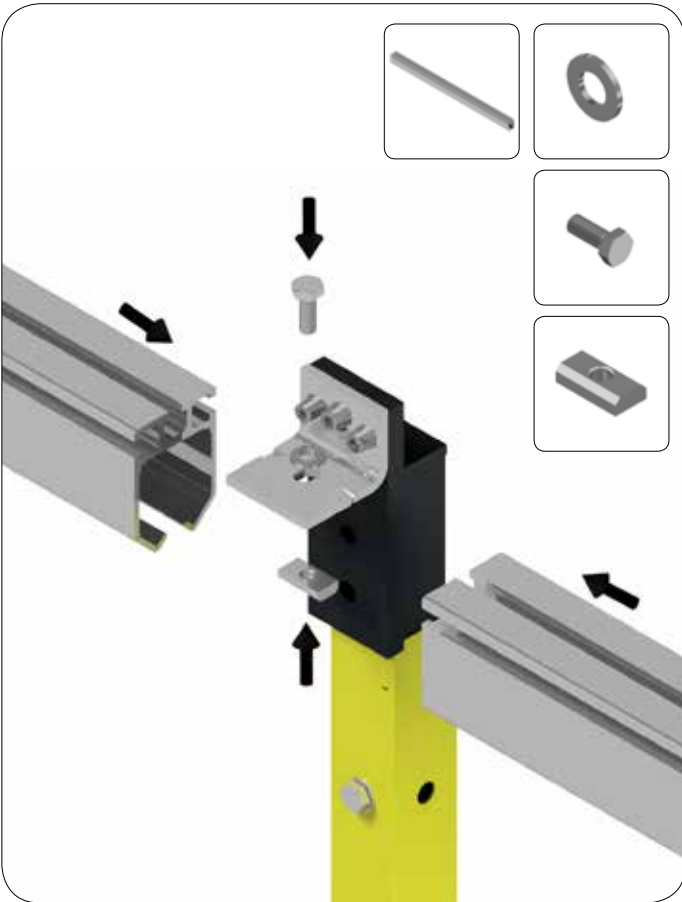
E	F	G
11	11	11



E	F	G
11	11	11

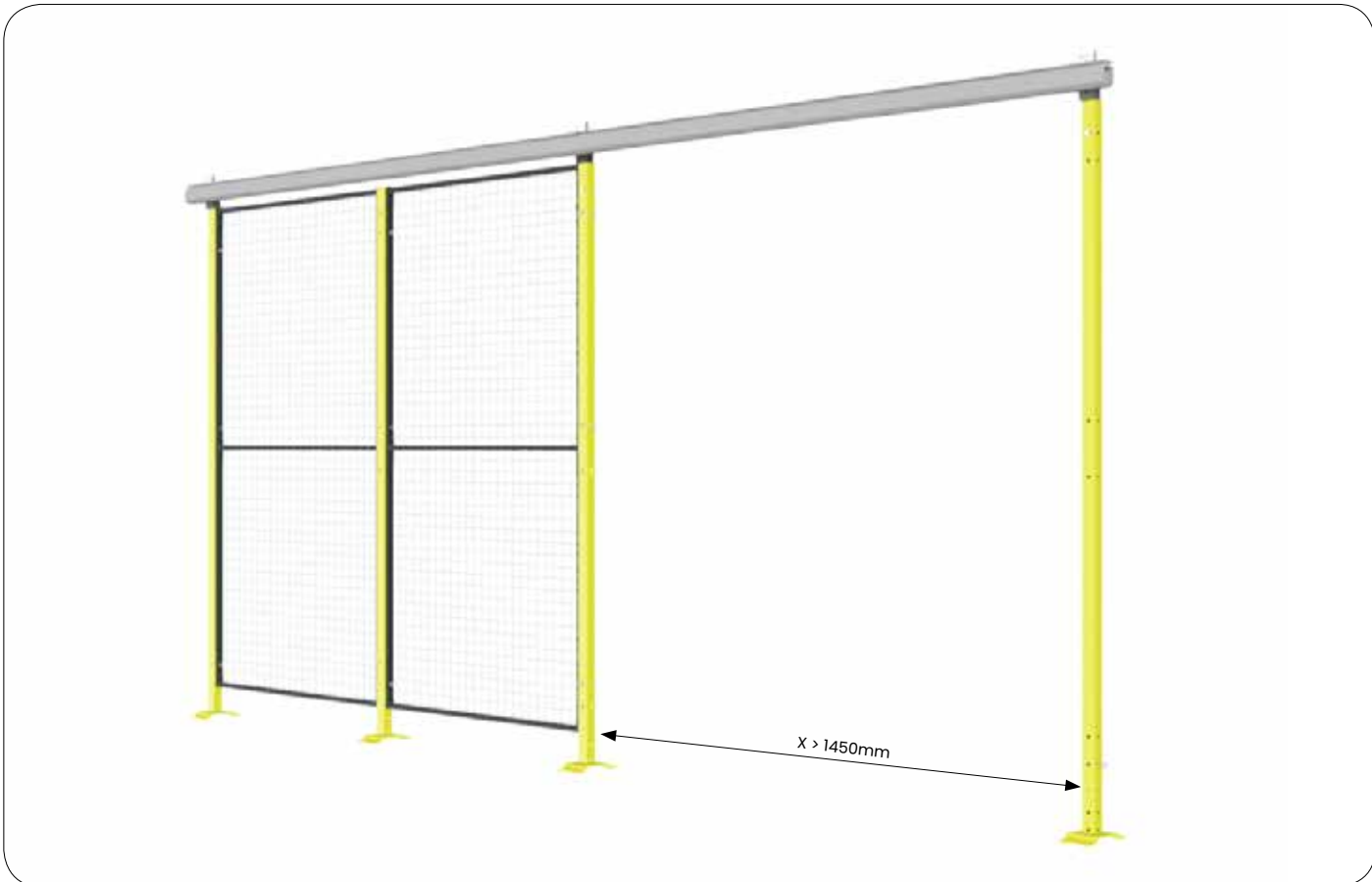
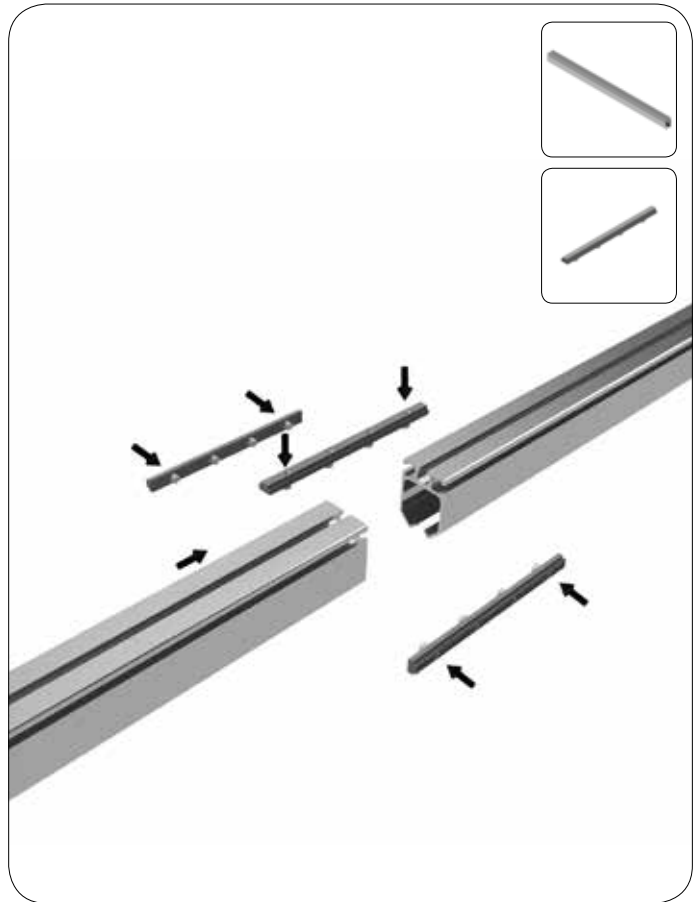
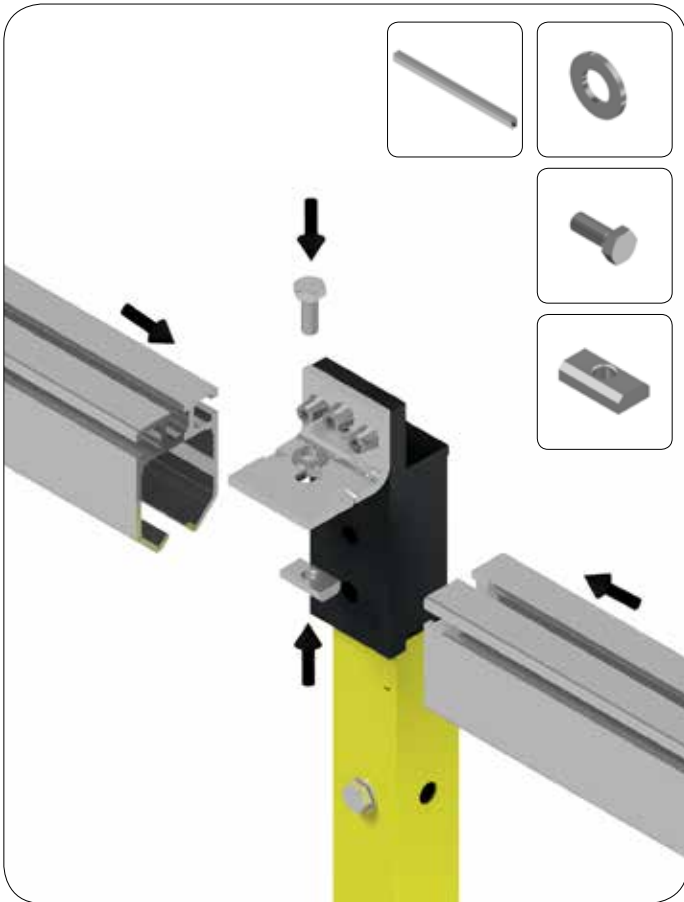


V	X	D	X	.	S	S	1	A	X	X	X	X	.	X	X	X	X	X	X
1	2	3	4	5	6	7	8	9	10	11	12	13	14	15	16	17	18	19	20



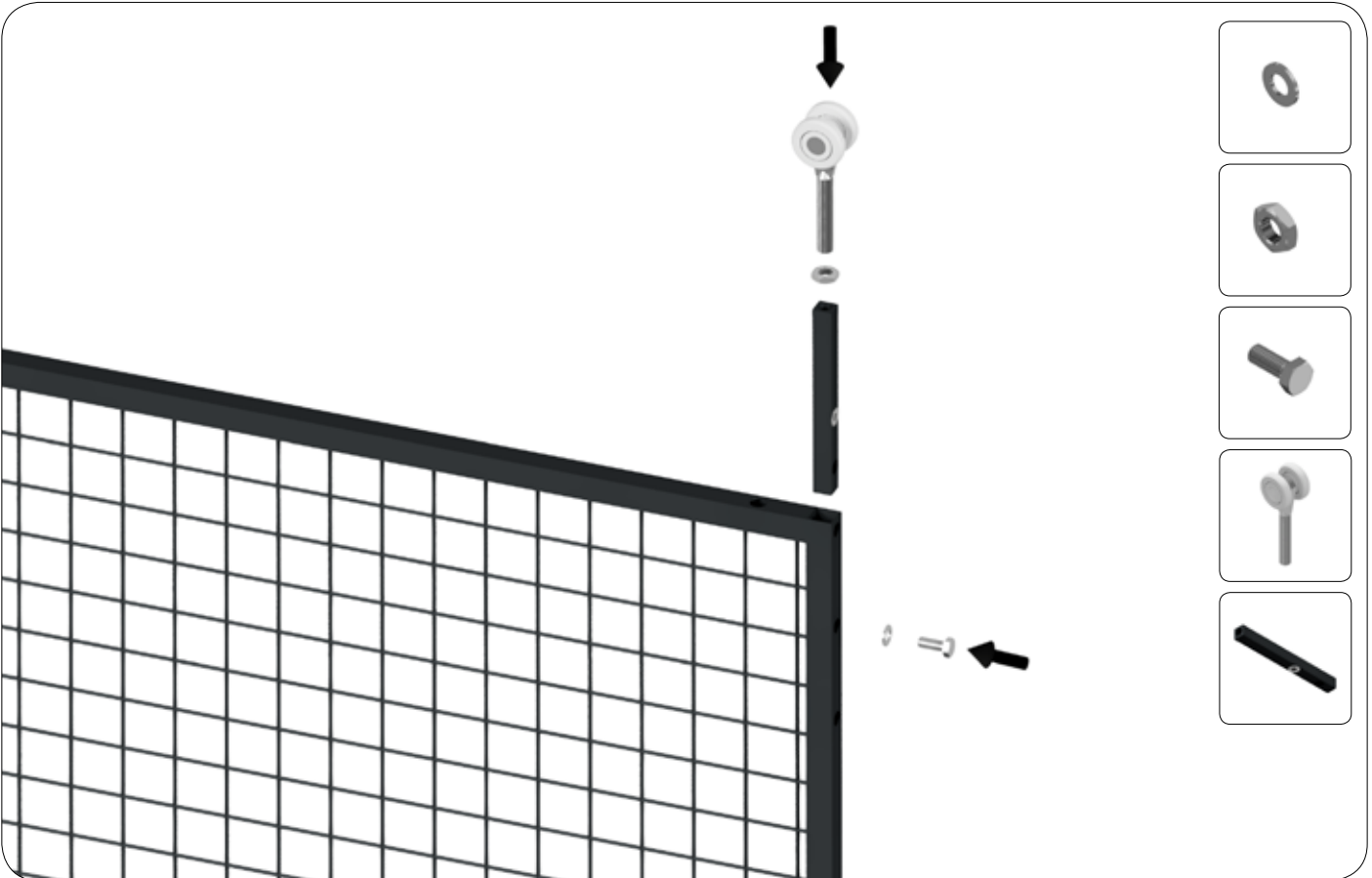
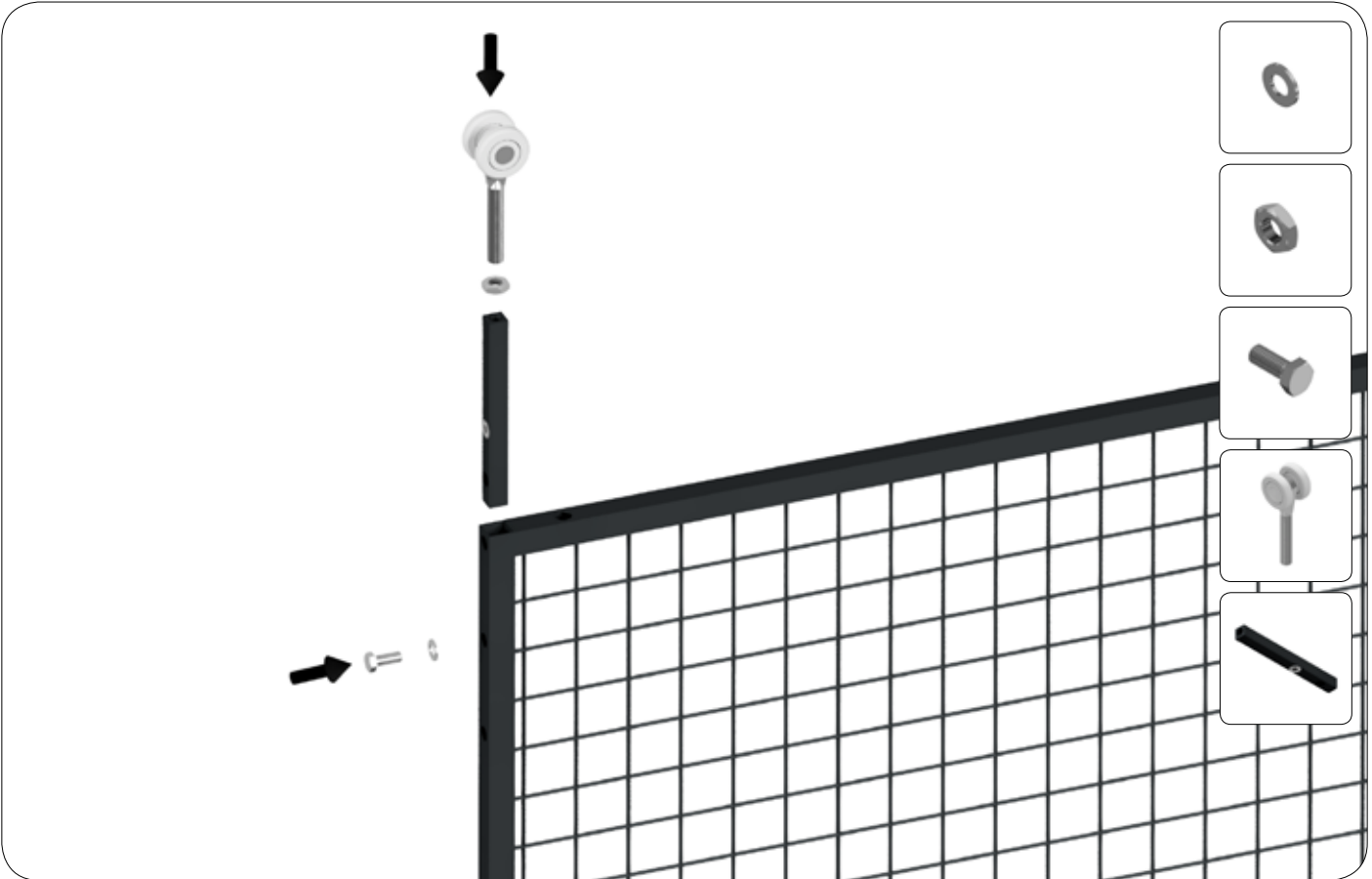
**ASSEMBLY PHASE 5.**

V	X	D	X	.	S	S	1	A	X	X	X	X	.	X	X	X	X	X	X
1	2	3	4	5	6	7	8	9	10	11	12	13	14	15	16	17	18	19	20



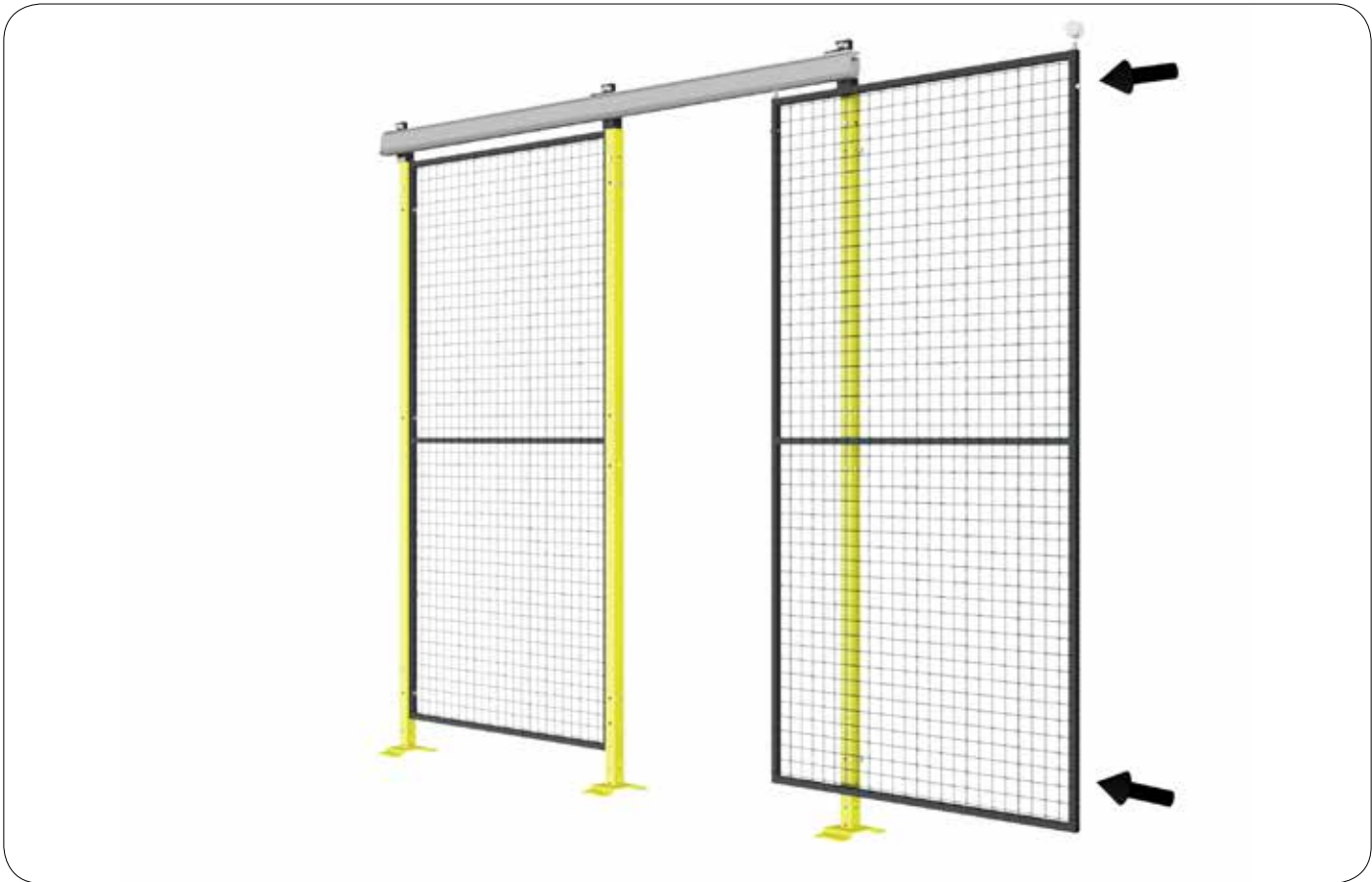
V	X	D	X	.	S	S	1	A	X	X	X	X	.	X	X	X	X	X	X
1	2	3	4	5	6	7	8	9	10	11	12	13	14	15	16	17	18	19	20

**ASSEMBLY PHASE 6.**





V	X	D	X	.	S	S	1	A	X	X	X	X	.	X	X	X	X	X	X	X
1	2	3	4	5	6	7	8	9	10	11	12	13	14	15	16	17	18	19	20	



V	X	D	X	.	S	S	1	A	X	X	X	X	.	X	X	X	X	X	X
1	2	3	4	5	6	7	8	9	10	11	12	13	14	15	16	17	18	19	20

**ASSEMBLY PHASE 8.**



V	X	D	X	.	S	S	1	A	X	X	X	X	.	X	X	X	X	X	X
1	2	3	4	5	6	7	8	9	10	11	12	13	14	15	16	17	18	19	20



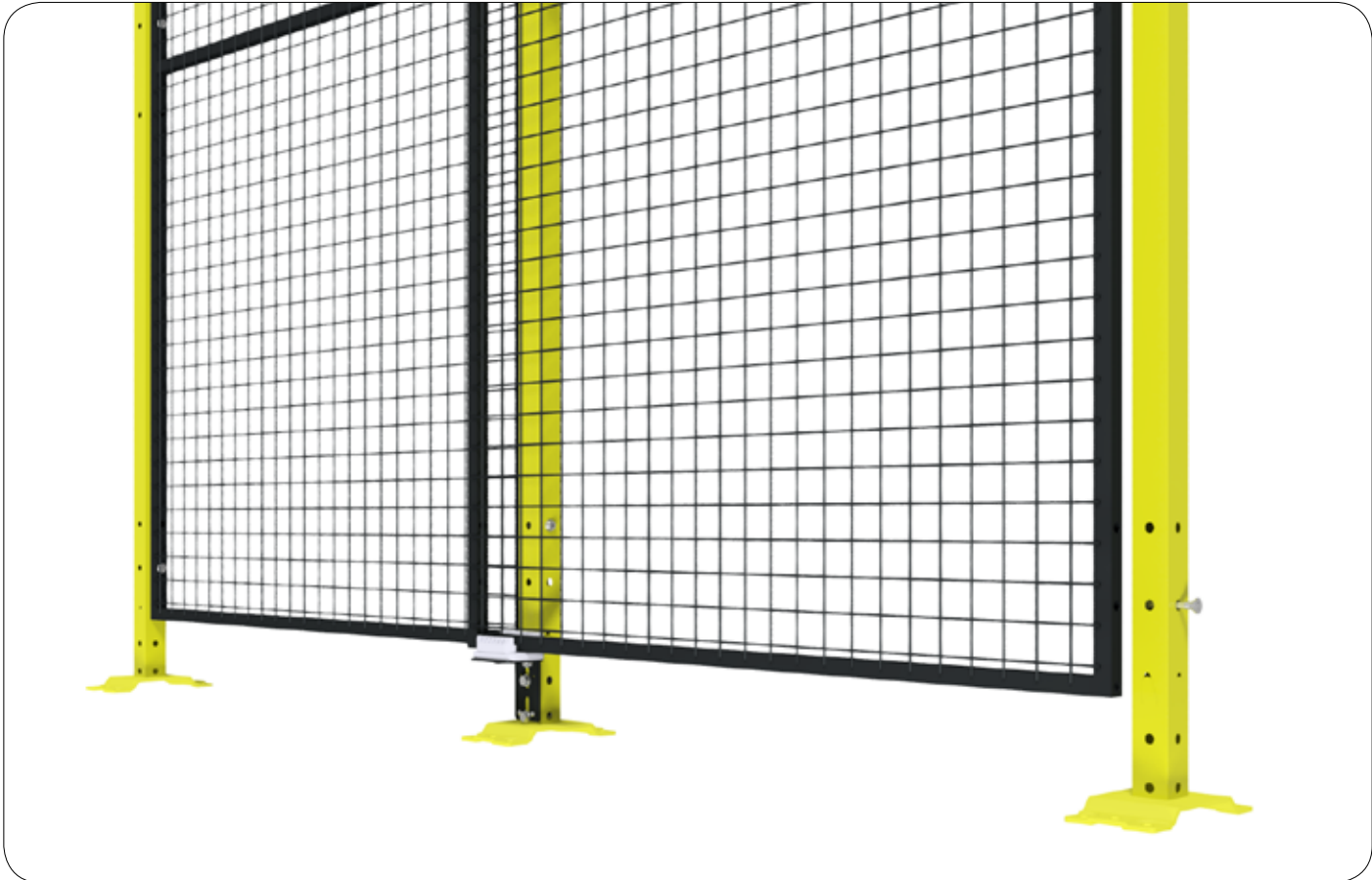
V	X	D	X	.	S	S	1	A	X	X	X	X	.	X	X	X	X	X	X
1	2	3	4	5	6	7	8	9	10	11	12	13	14	15	16	17	18	19	20

**ASSEMBLY PHASE 8.**



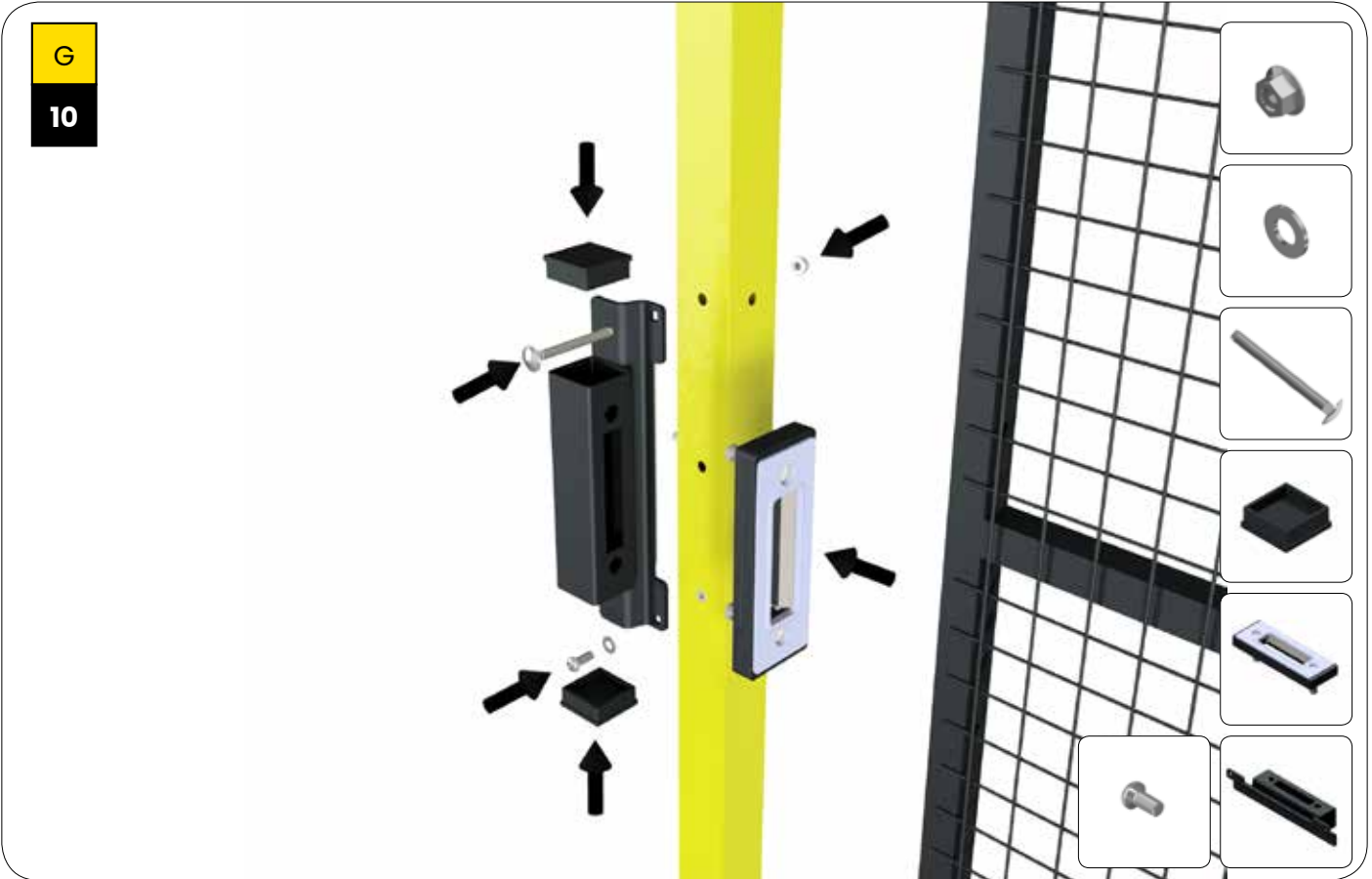


V	X	D	X	.	S	S	1	A	X	X	X	X	.	X	X	X	X	X	X
1	2	3	4	5	6	7	8	9	10	11	12	13	14	15	16	17	18	19	20

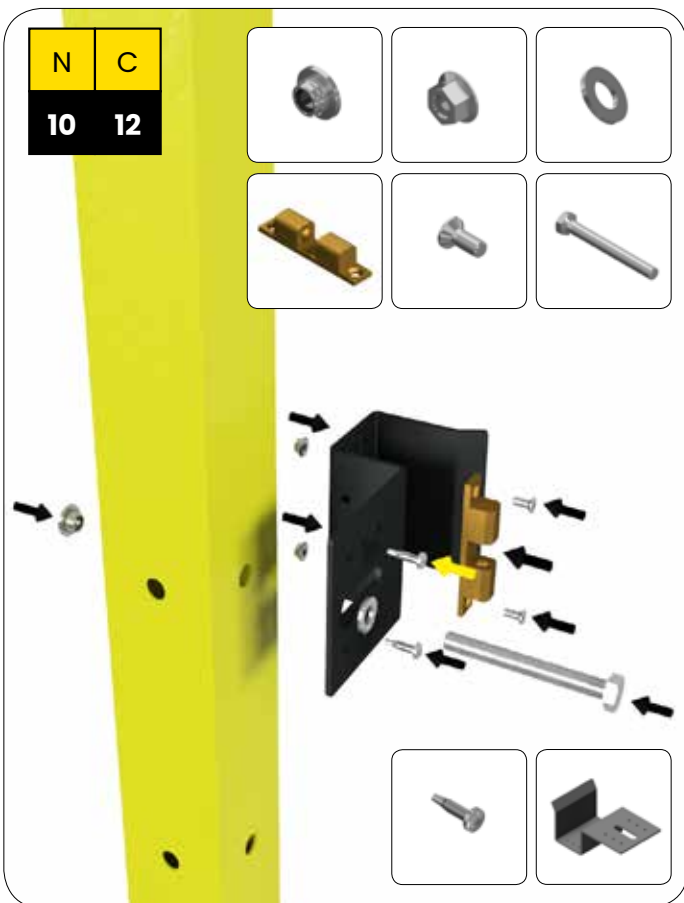
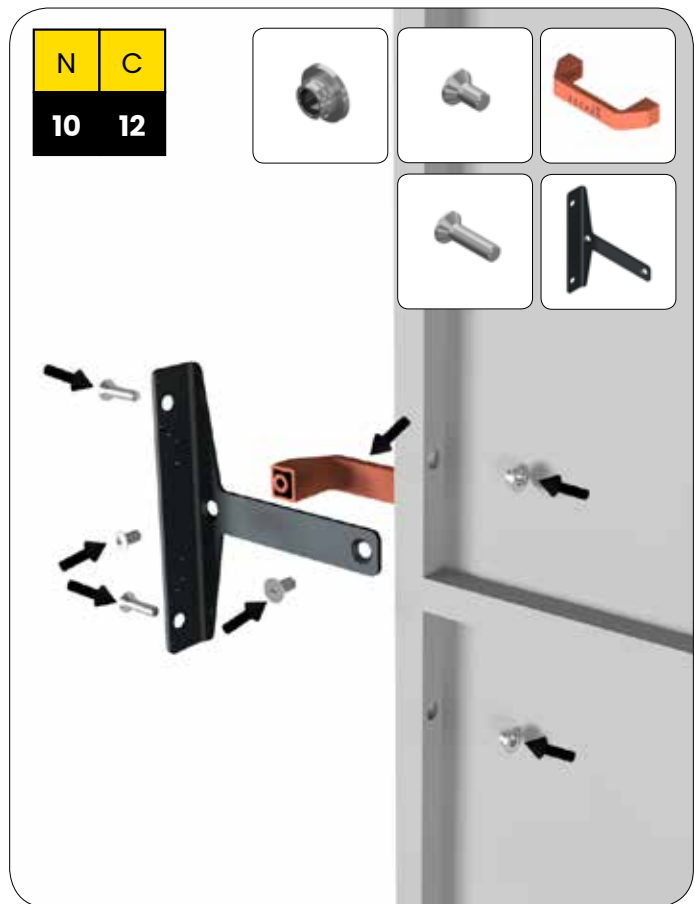


V	X	D	X	.	S	S	<b>I</b>	<b>A</b>	<b>G</b>	X	X	X	.	X	X	X	X	X	X
1	2	3	4	5	6	7	8	9	10	11	12	13	14	15	16	17	18	19	20

**ASSEMBLY PHASE 9.**

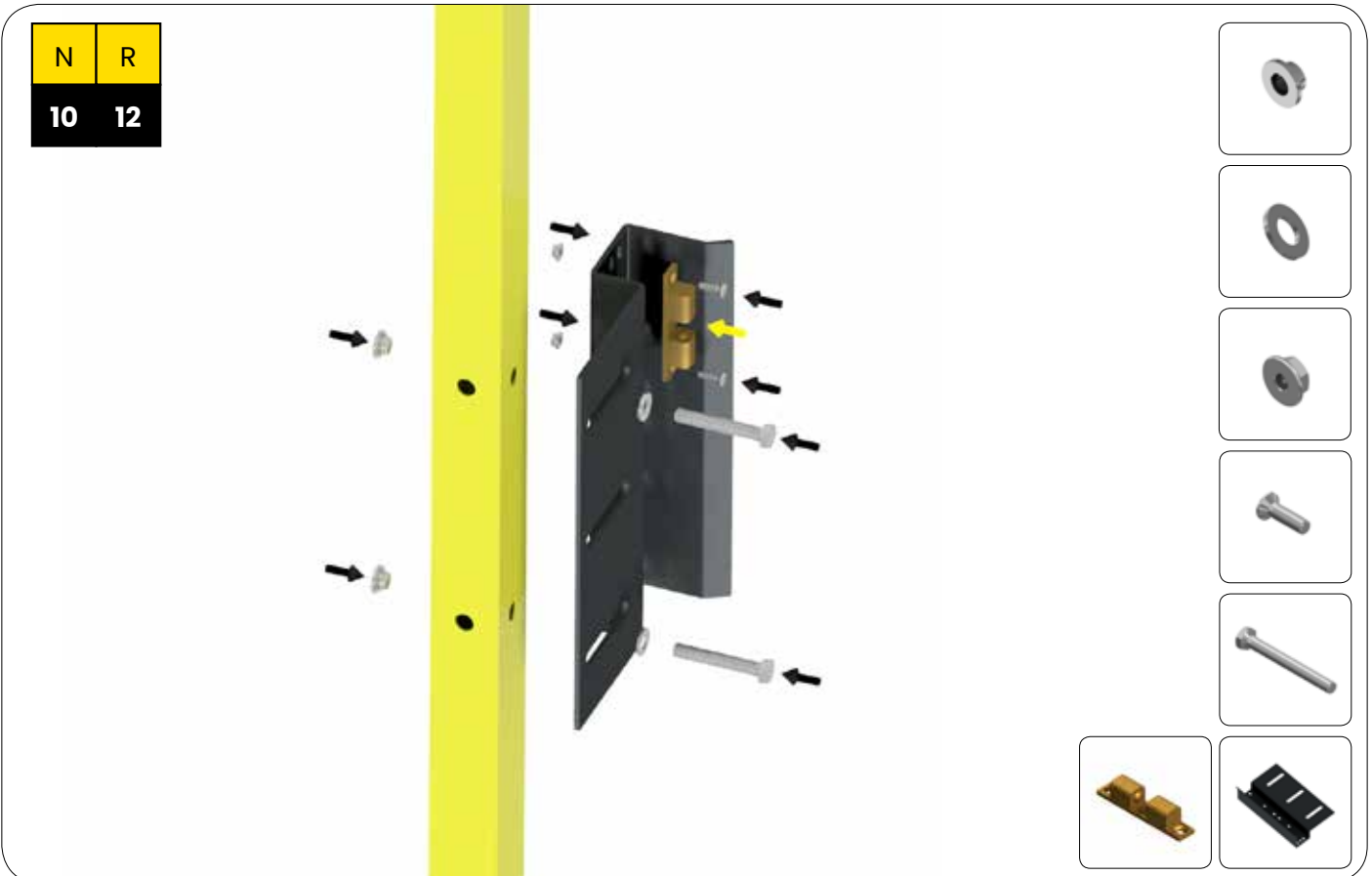
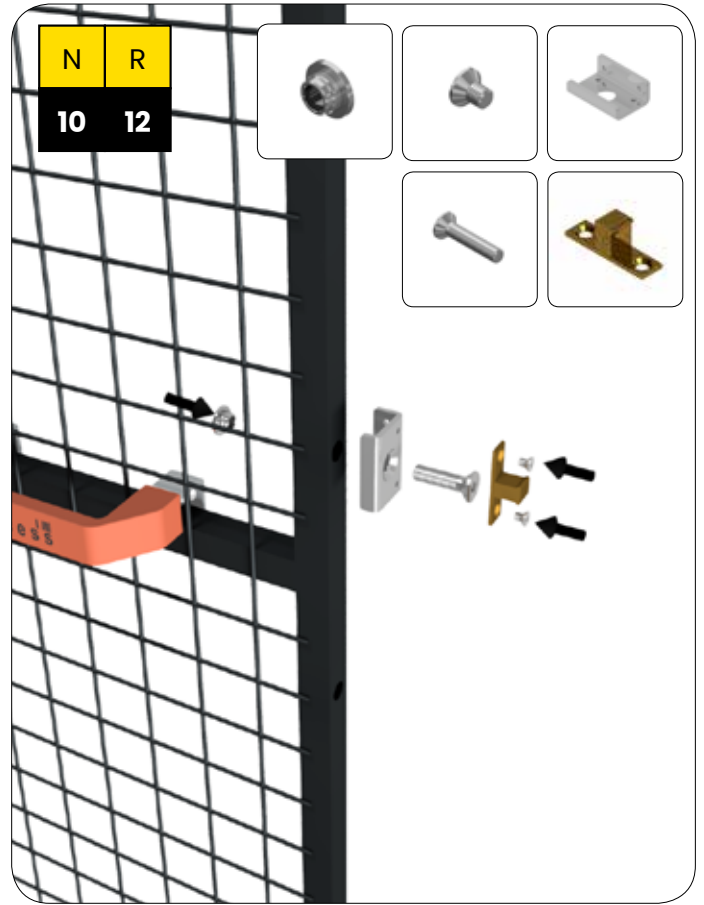
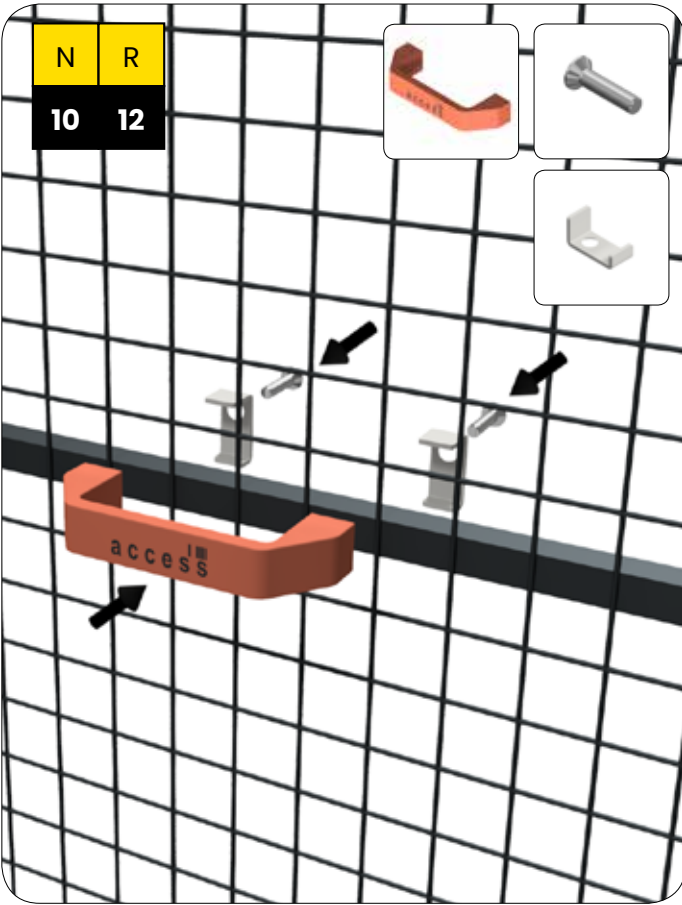


V	X	D	X	.	S	S	I	A	N	X	C	X	.	X	X	X	X	X	X
1	2	3	4	5	6	7	8	9	10	11	12	13	14	15	16	17	18	19	20



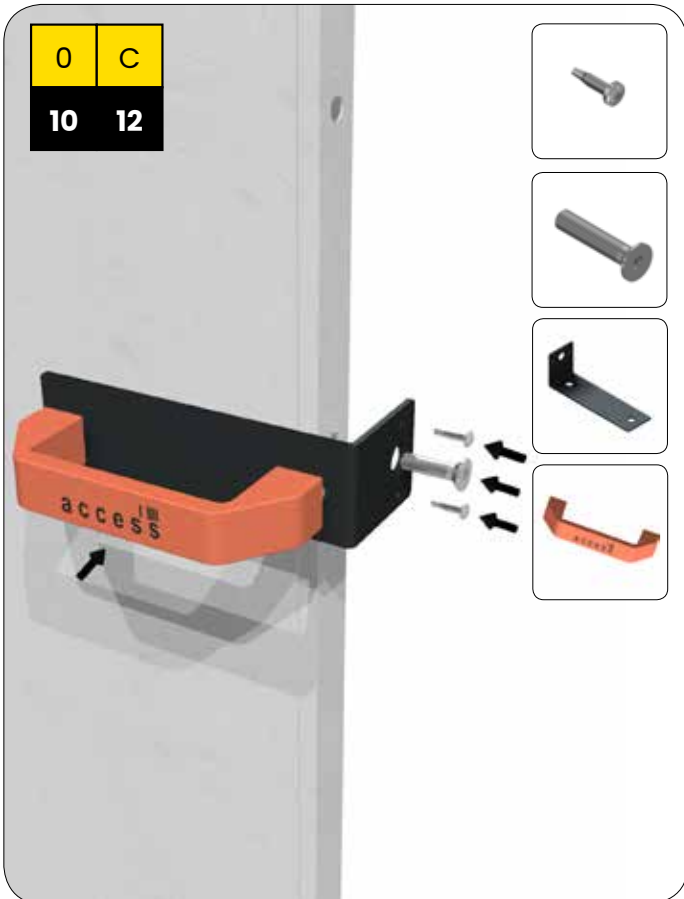
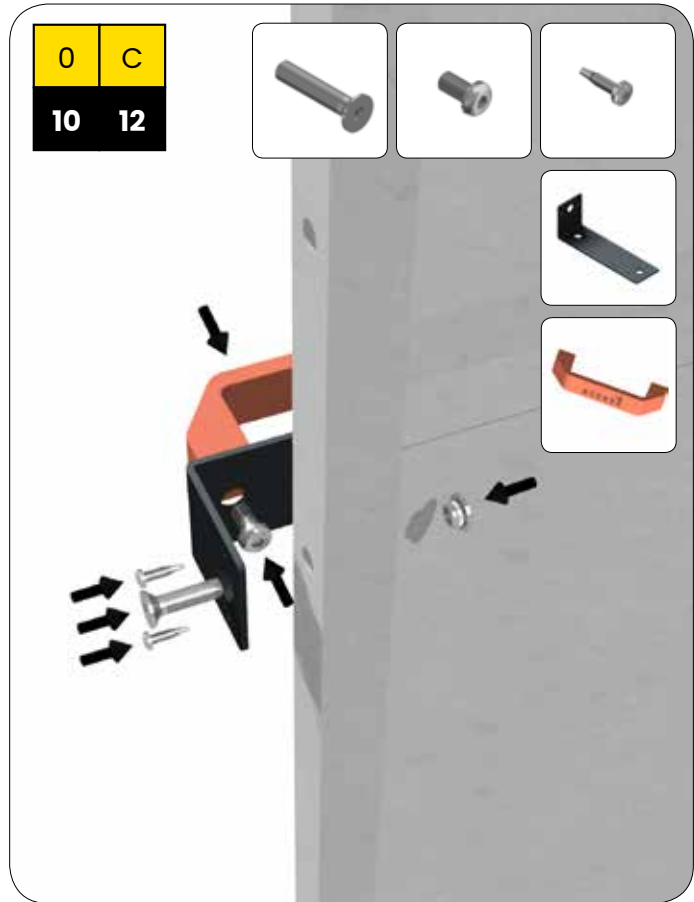
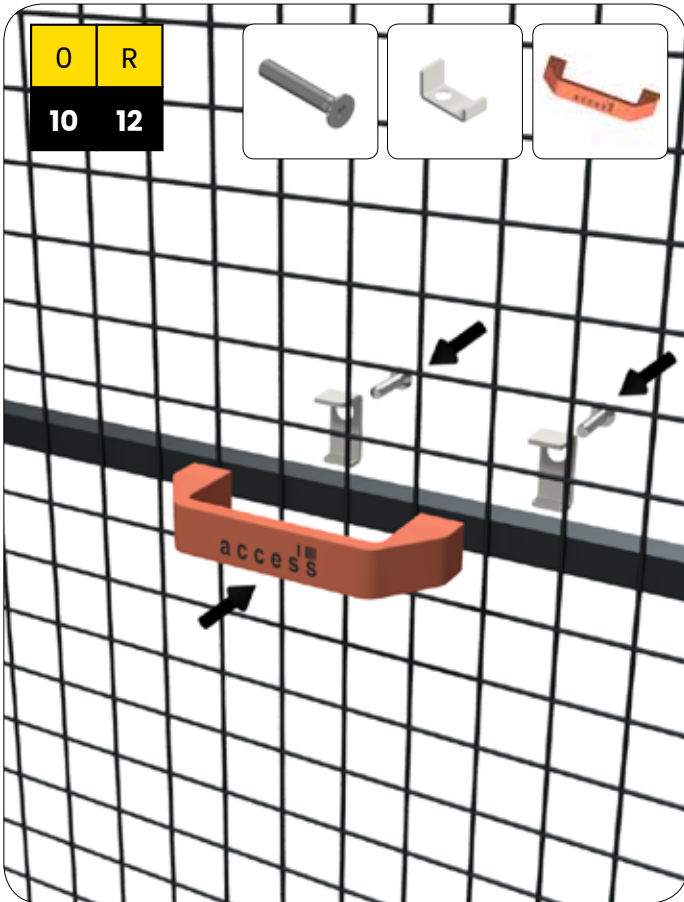


V	X	D	X	.	S	S	<b>I</b>	<b>A</b>	<b>N</b>	X	<b>R</b>	X	.	X	X	X	X	X	X
1	2	3	4	5	6	7	8	9	10	11	12	13	14	15	16	17	18	19	20



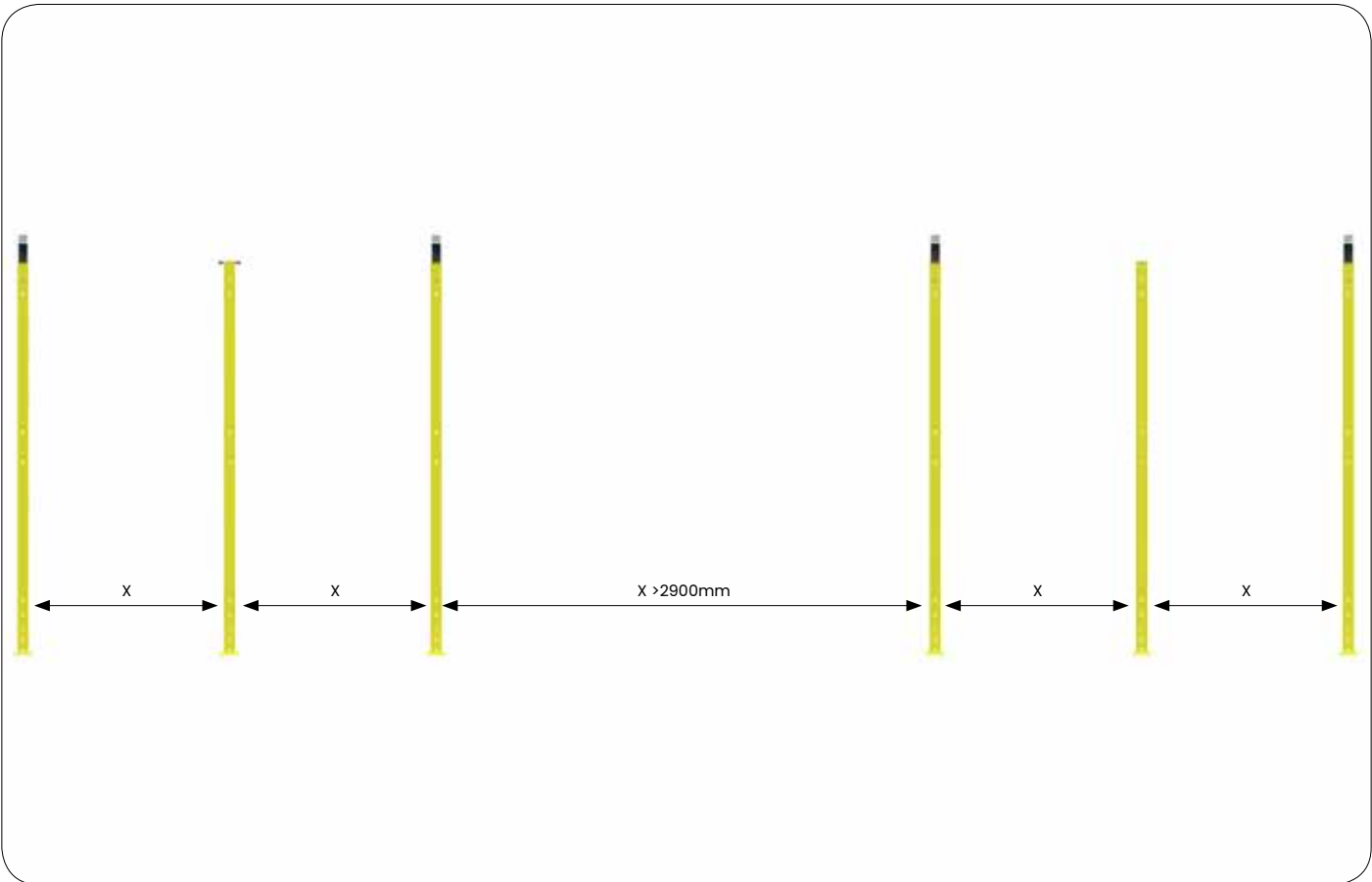
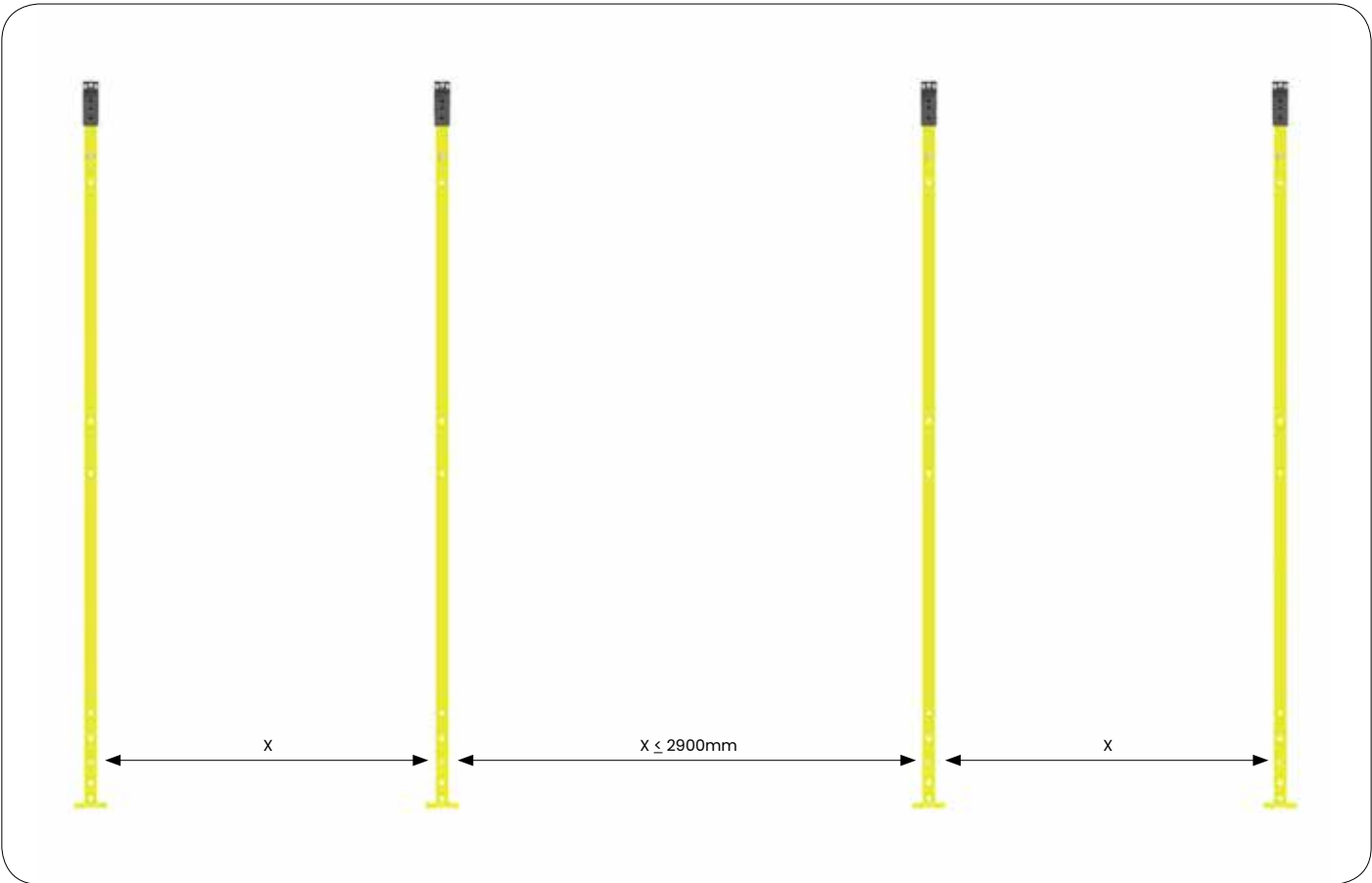
**ASSEMBLY PHASE 9.**

V	X	D	X	.	S	S	1	A	0	X	X	X	.	X	X	X	X	X	X
1	2	3	4	5	6	7	8	9	10	11	12	13	14	15	16	17	18	19	20

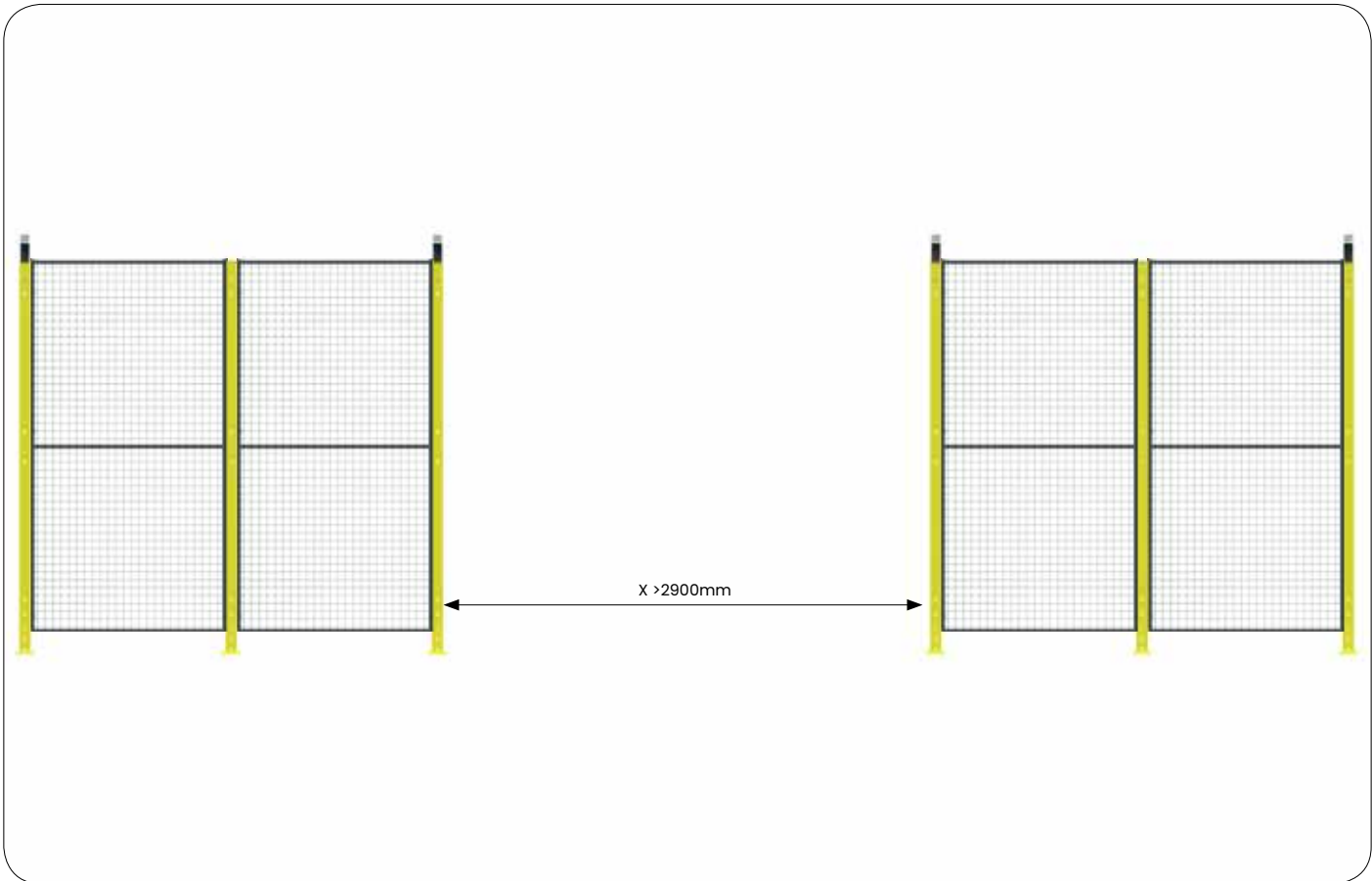
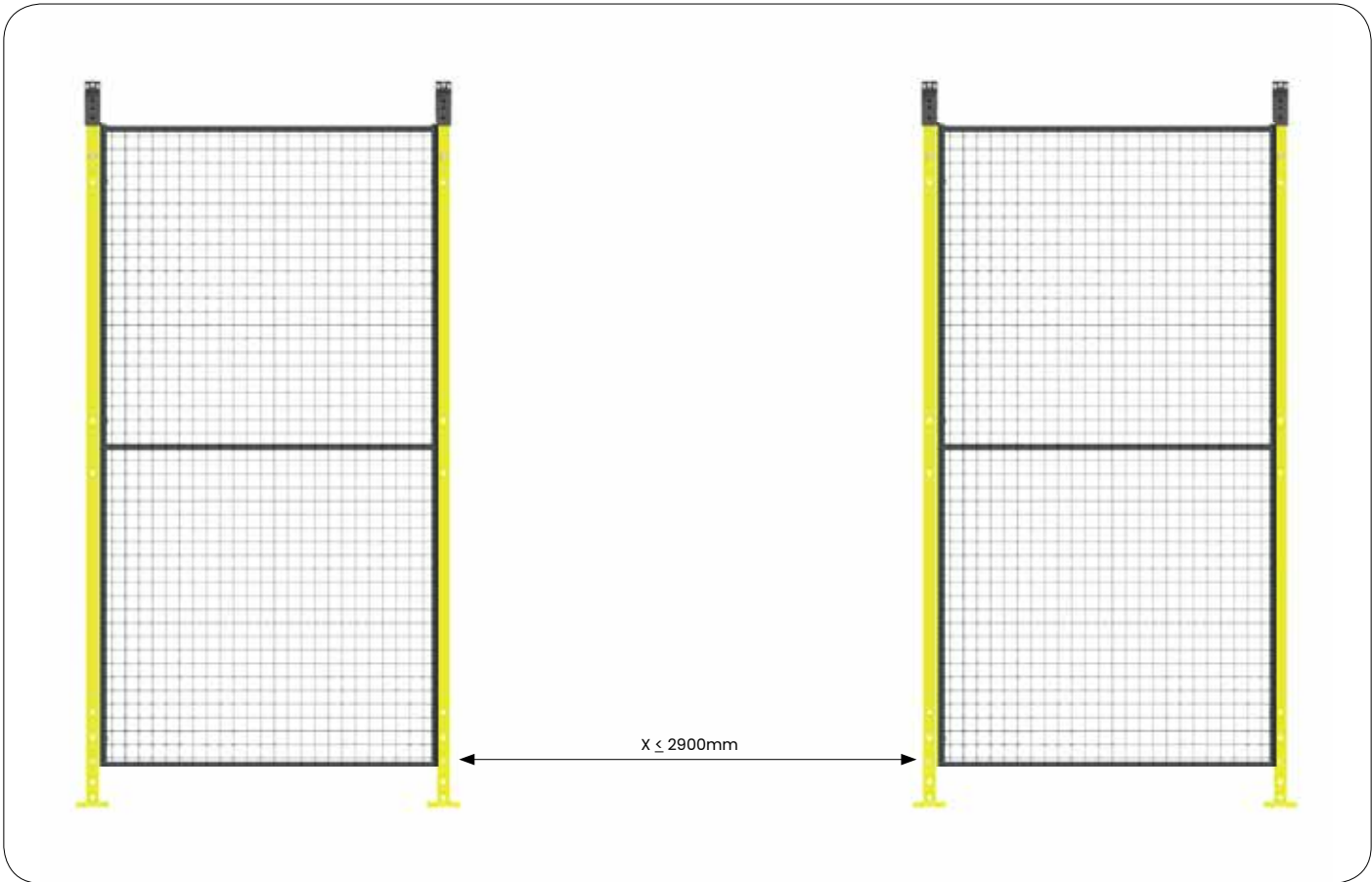


V	X	D	X	.	S	S	I	B	X	X	X	X	.	X	X	X	X	X	X
1	2	3	4	5	6	7	8	9	10	11	12	13	14	15	16	17	18	19	20

**ASSEMBLY PHASE 3.**

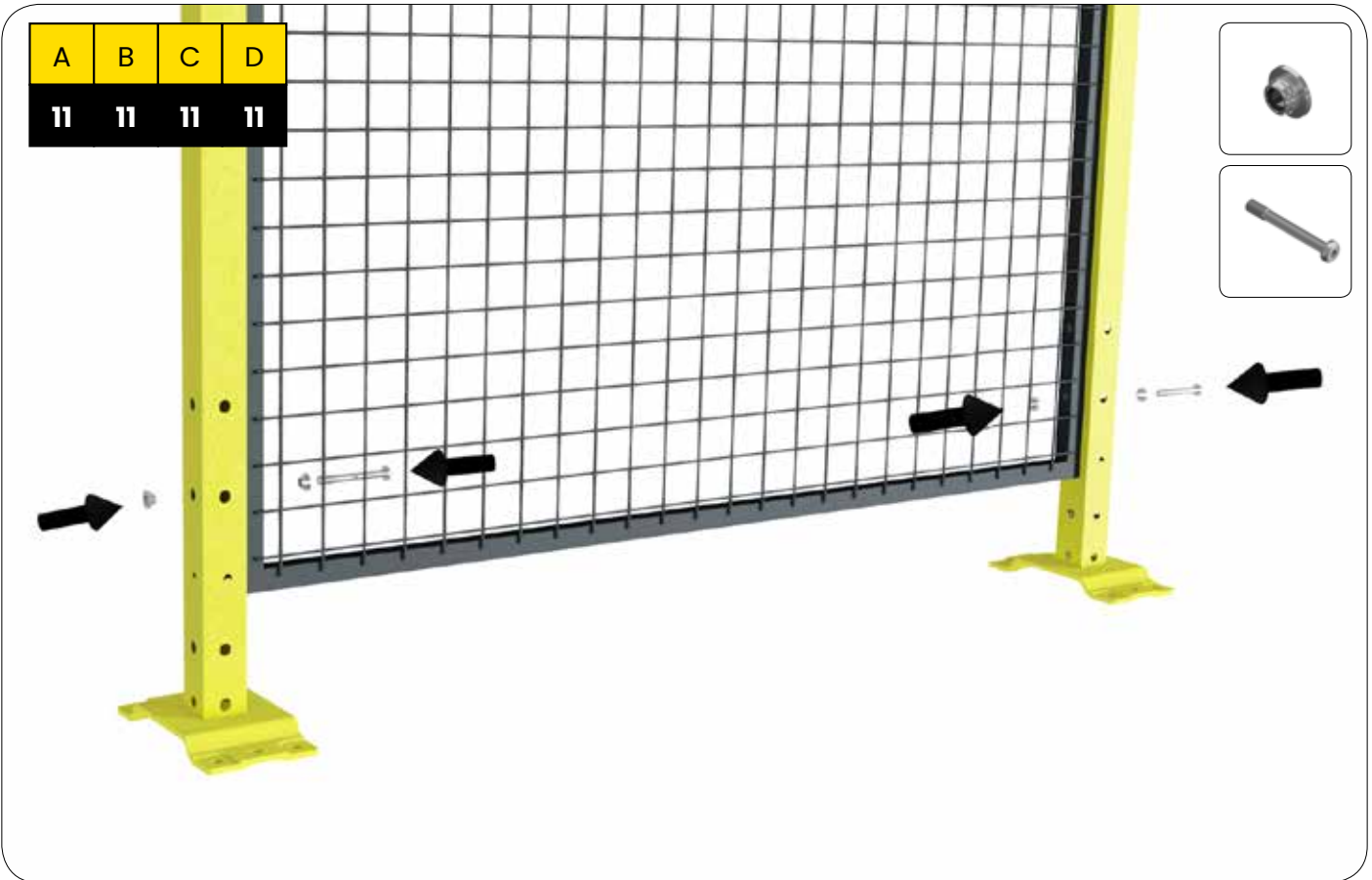
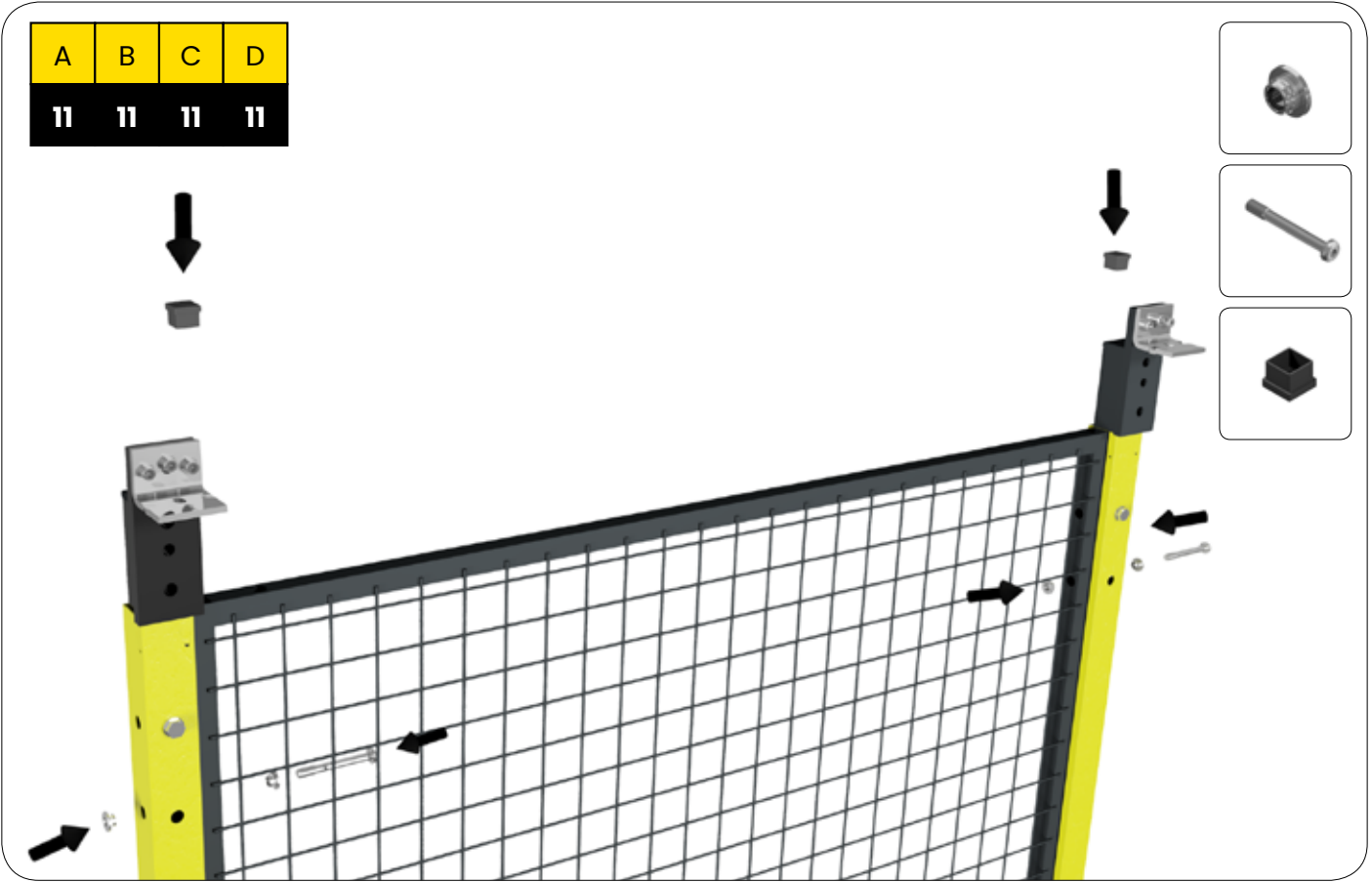


V	X	D	X	.	S	S	<b>1</b>	<b>B</b>	X	X	X	X	.	X	X	X	X	X	X
1	2	3	4	5	6	7	<b>8</b>	<b>9</b>	10	11	12	13	14	15	16	17	18	19	20



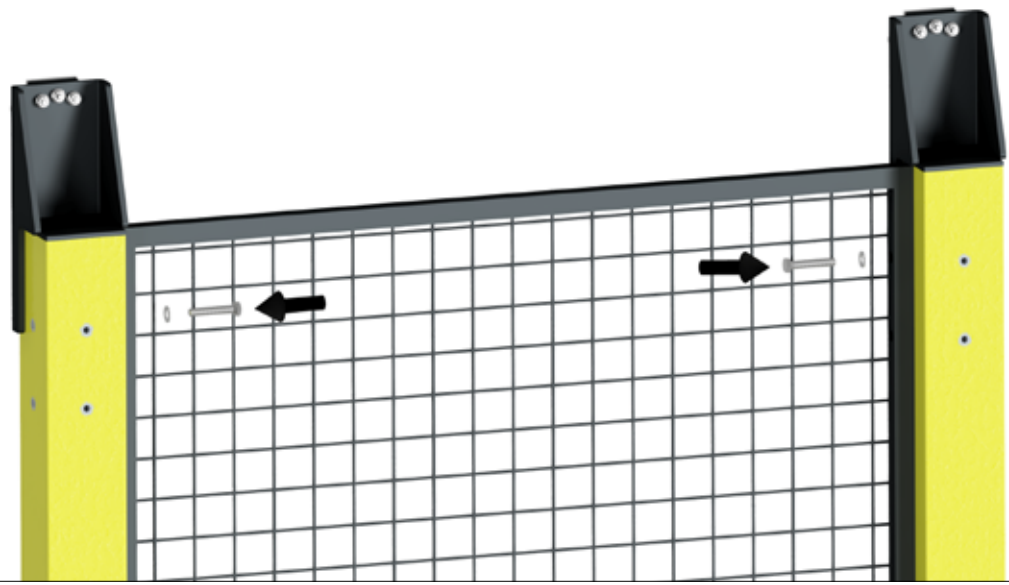
V	X	D	X	.	S	S	1	B	X	X	X	X	.	X	X	X	X	X	X
1	2	3	4	5	6	7	8	9	10	11	12	13	14	15	16	17	18	19	20

**ASSEMBLY PHASE 4.**

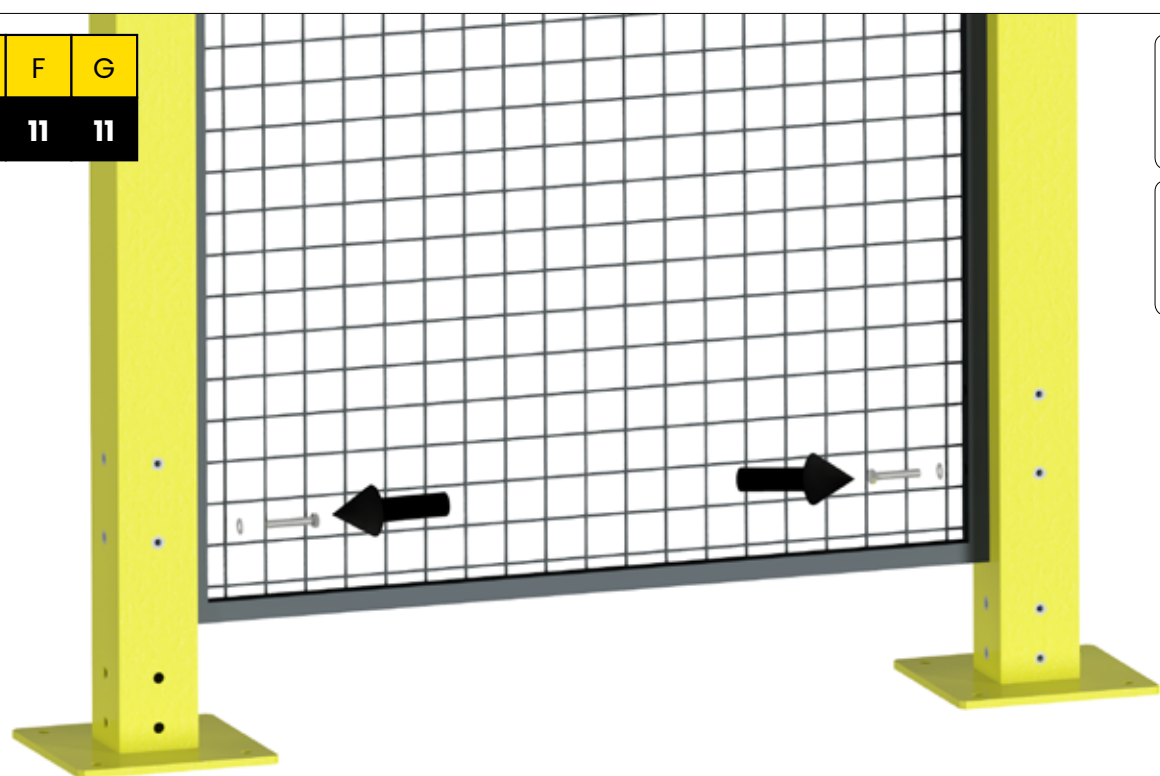


V	X	D	X	.	S	S	I	B	X	X	X	X	.	X	X	X	X	X	X
1	2	3	4	5	6	7	8	9	10	11	12	13	14	15	16	17	18	19	20

E	F	G
11	11	11

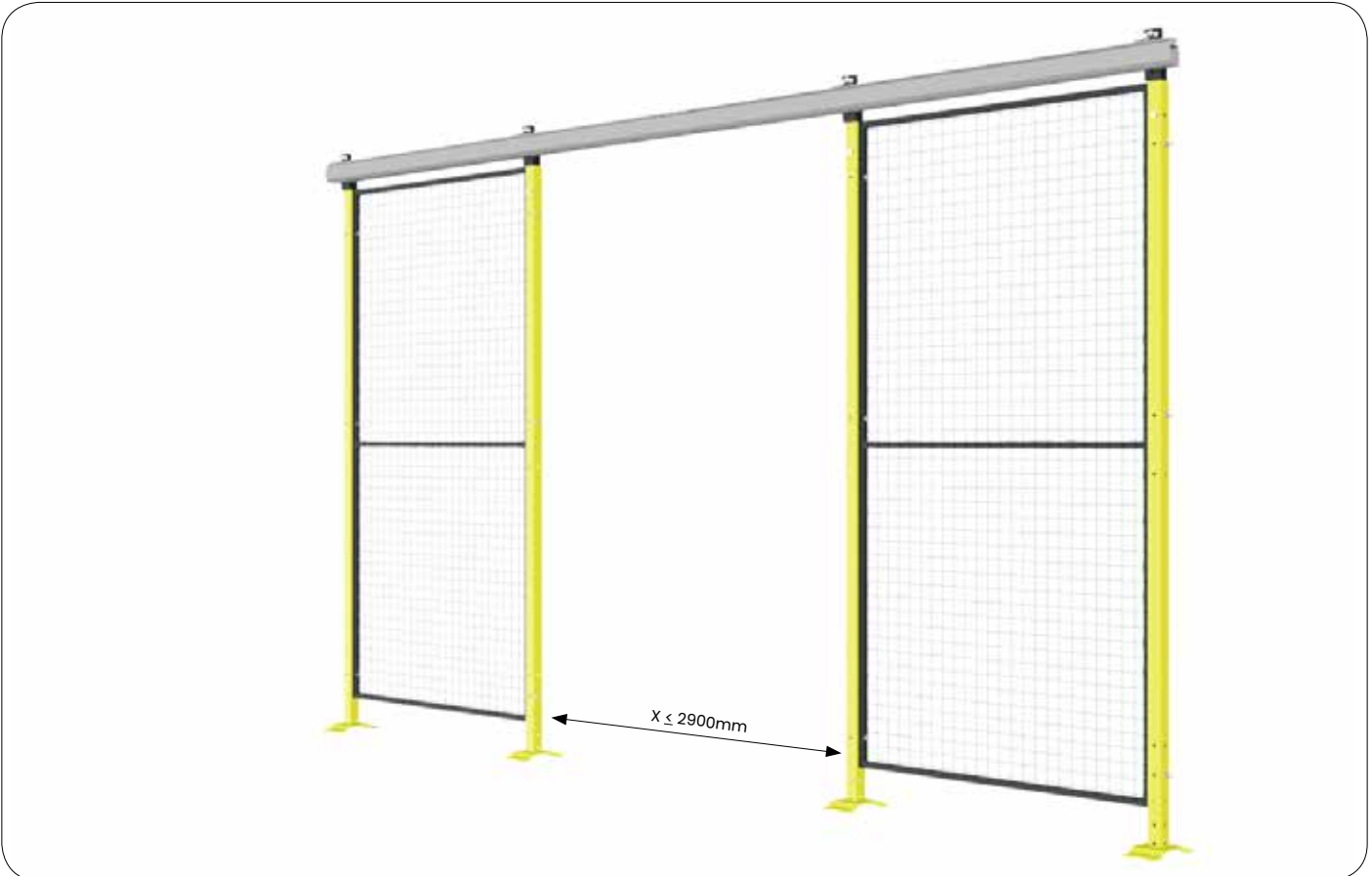
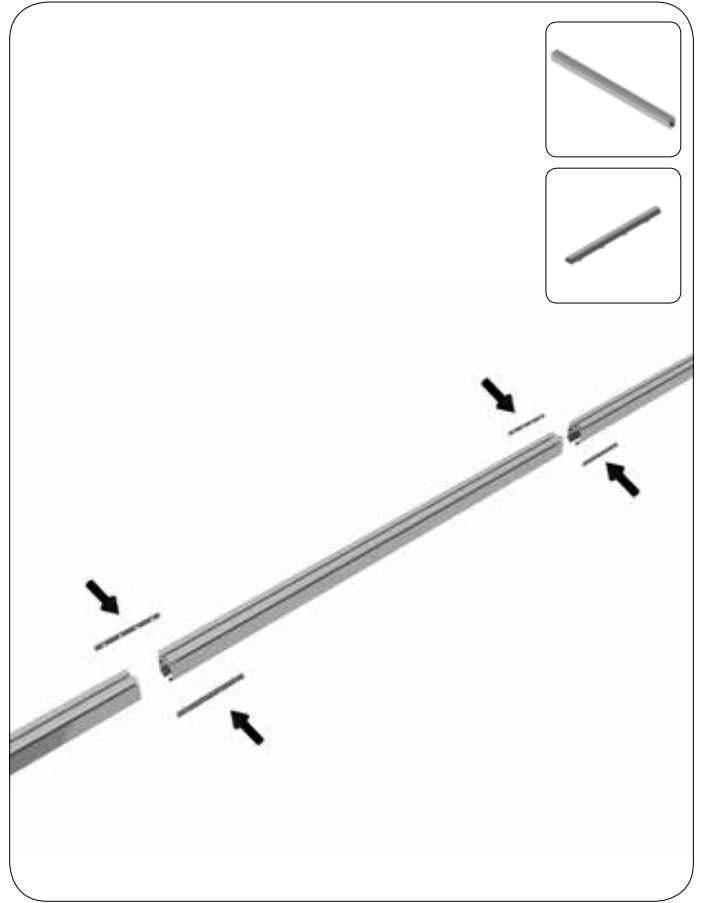
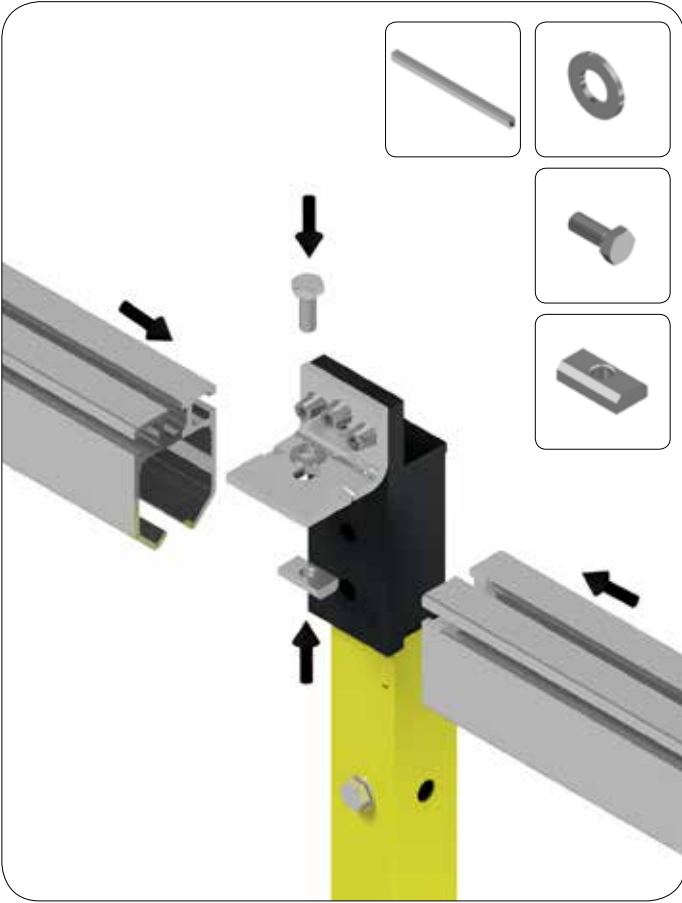


E	F	G
11	11	11





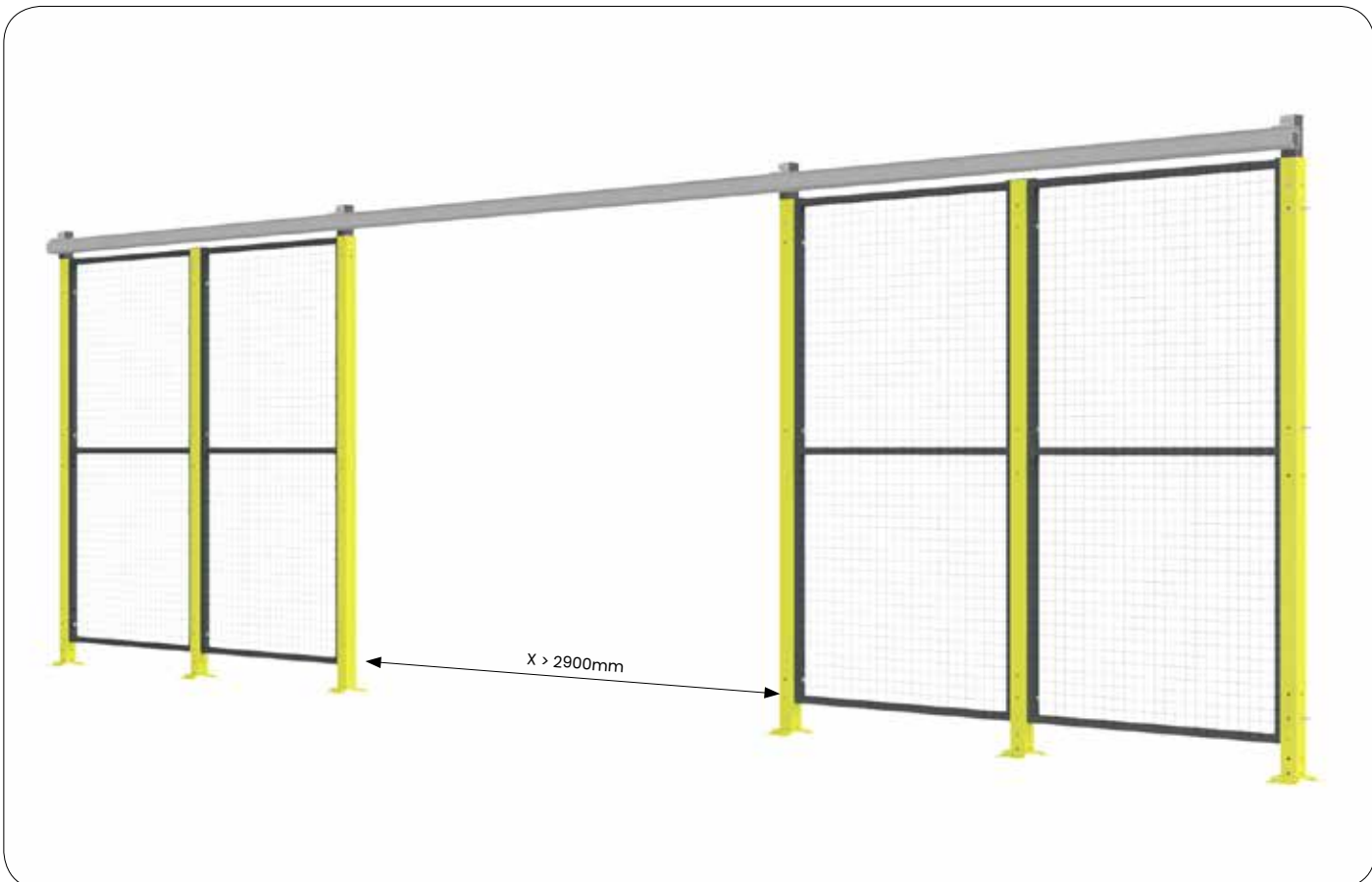
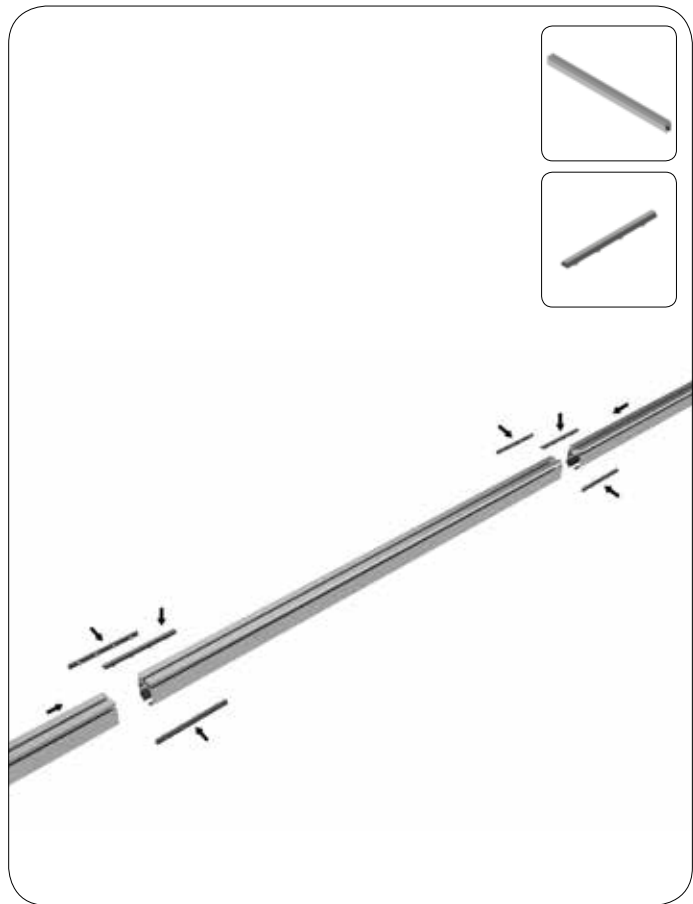
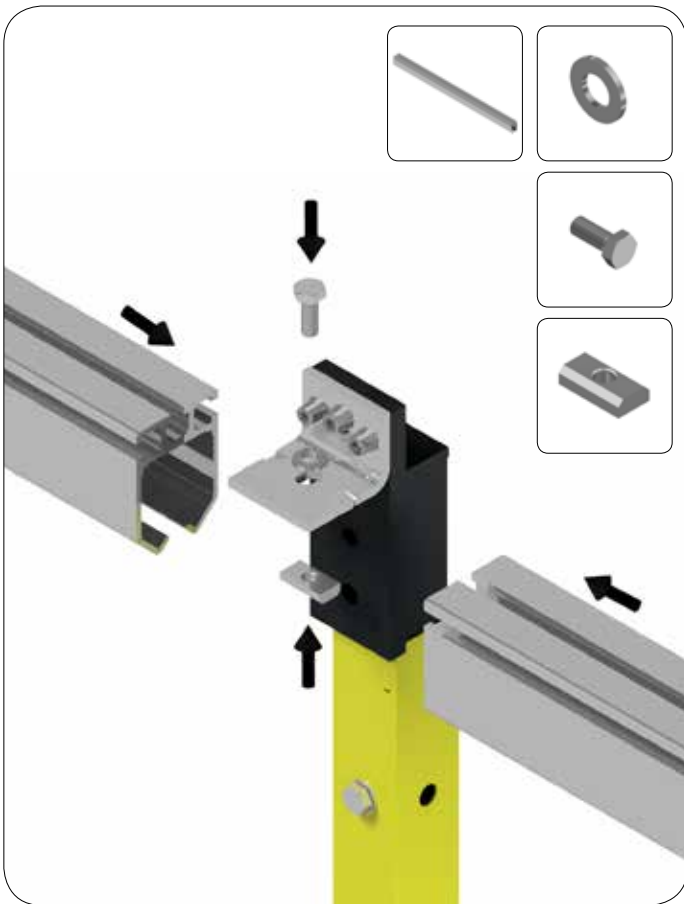
V	X	D	X	.	S	S	1	B	X	X	X	X	.	X	X	X	X	X	X
1	2	3	4	5	6	7	8	9	10	11	12	13	14	15	16	17	18	19	20



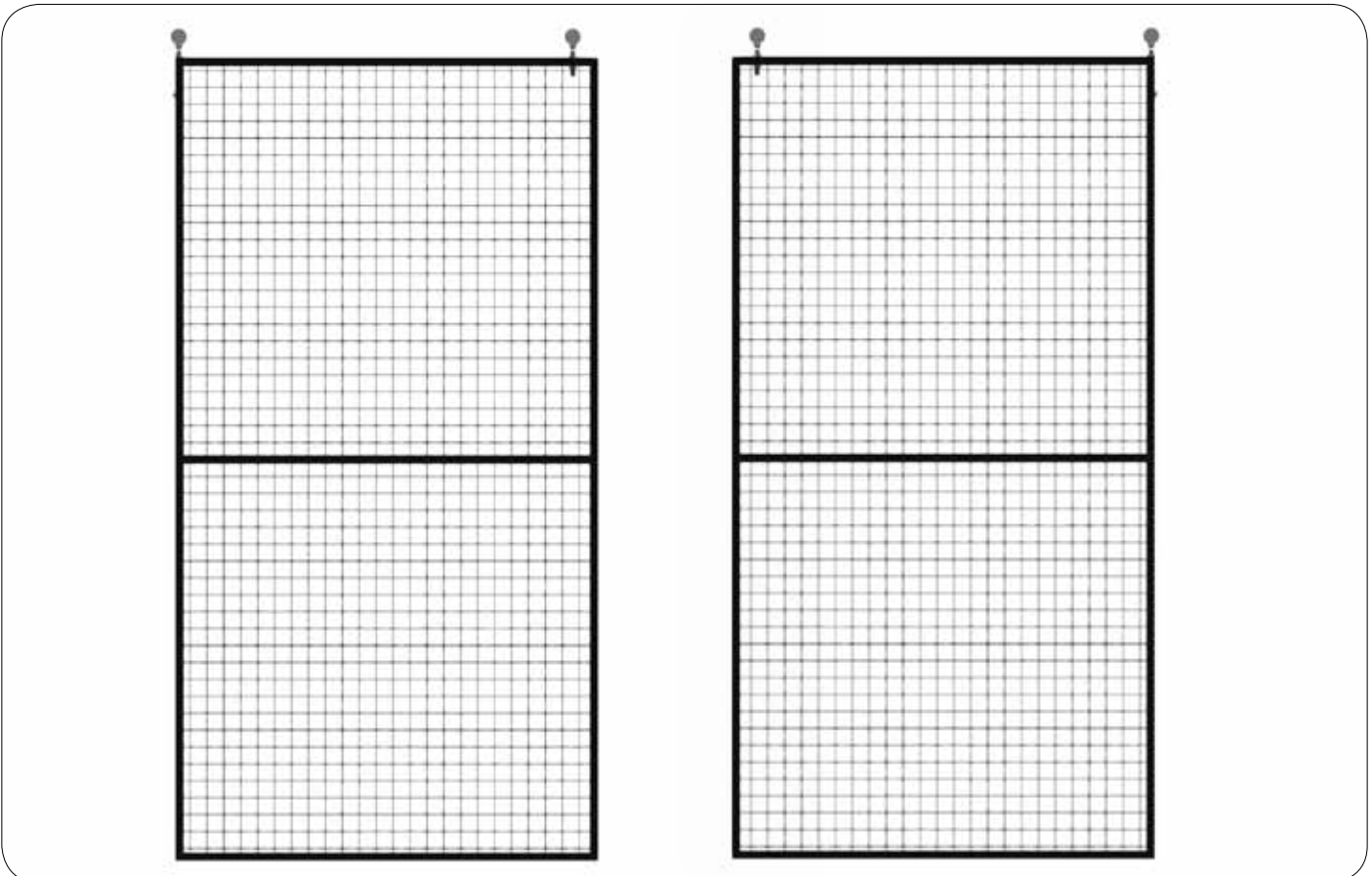
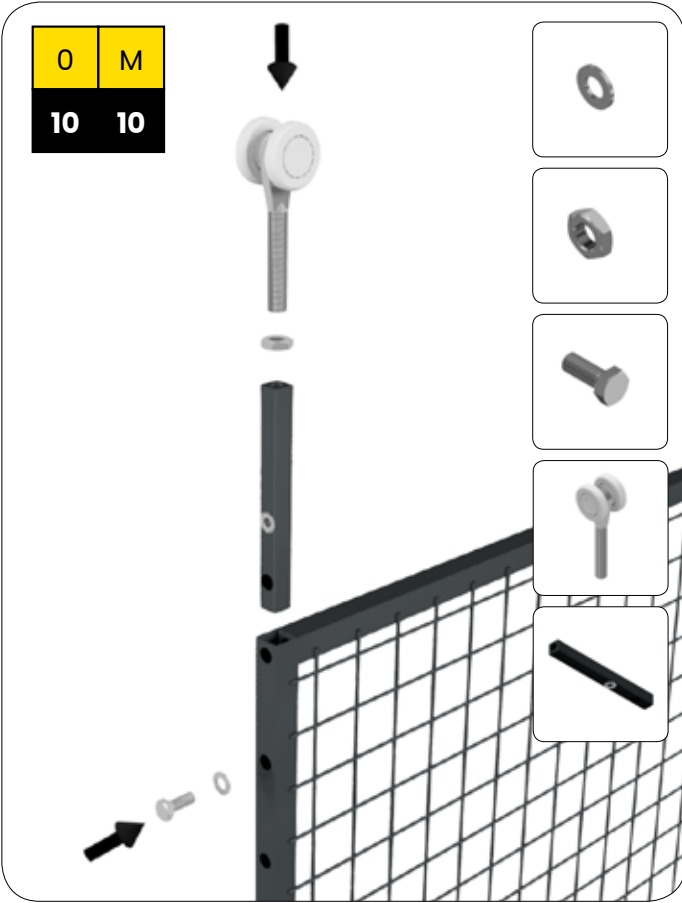
ASSEMBLY PHASE 5.



V	X	D	X	.	S	S	1	B	X	X	X	X	.	X	X	X	X	X	X	X
1	2	3	4	5	6	7	8	9	10	11	12	13	14	15	16	17	18	19	20	

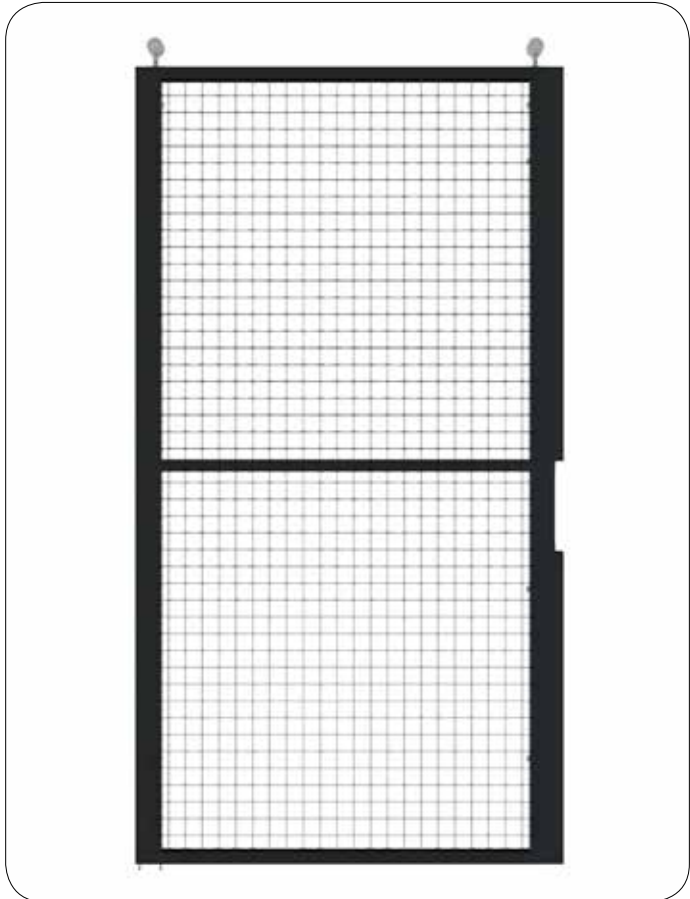
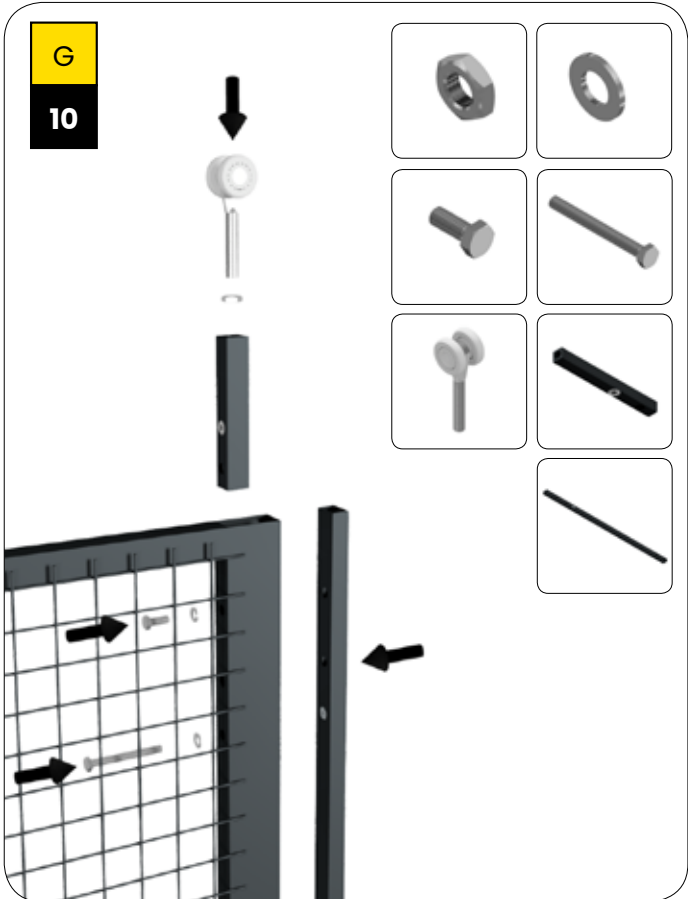
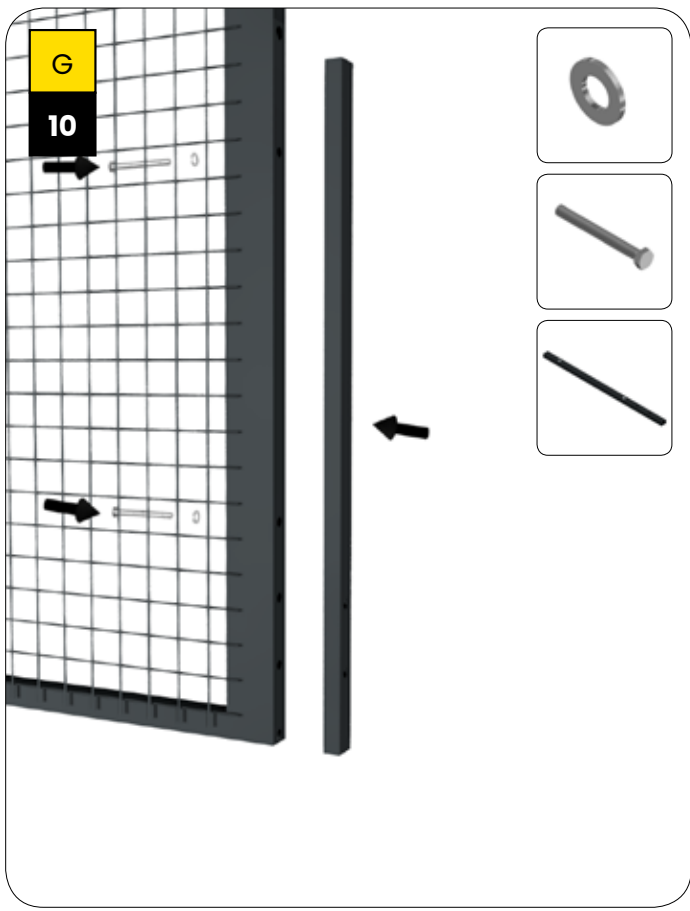
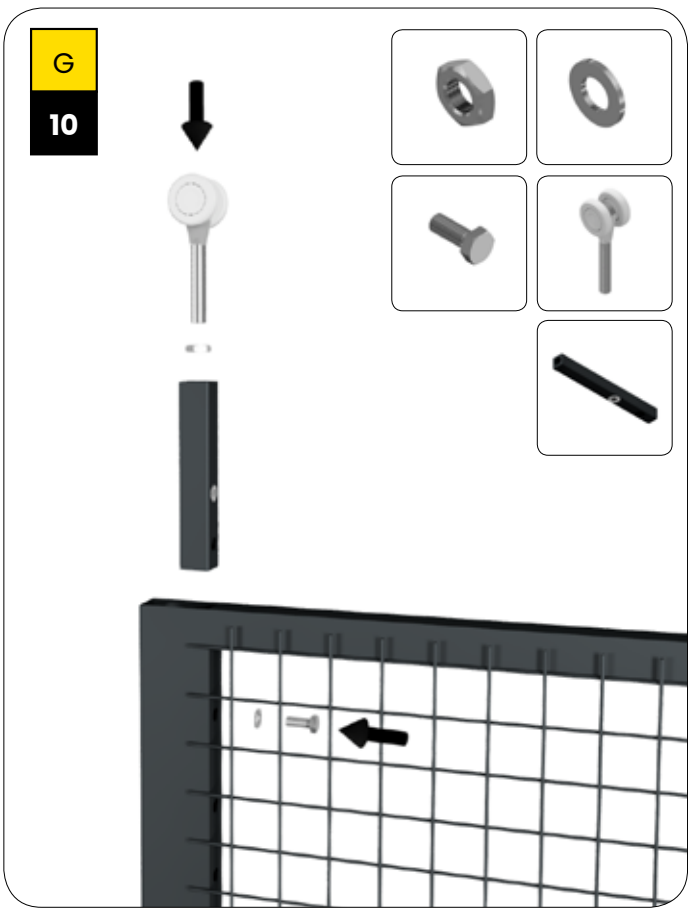


V	X	D	X	.	S	S	<b>1</b>	<b>B</b>	<b>X</b>	X	X	X	.	X	X	X	X	X	X
1	2	3	4	5	6	7	8	9	10	11	12	13	14	15	16	17	18	19	20

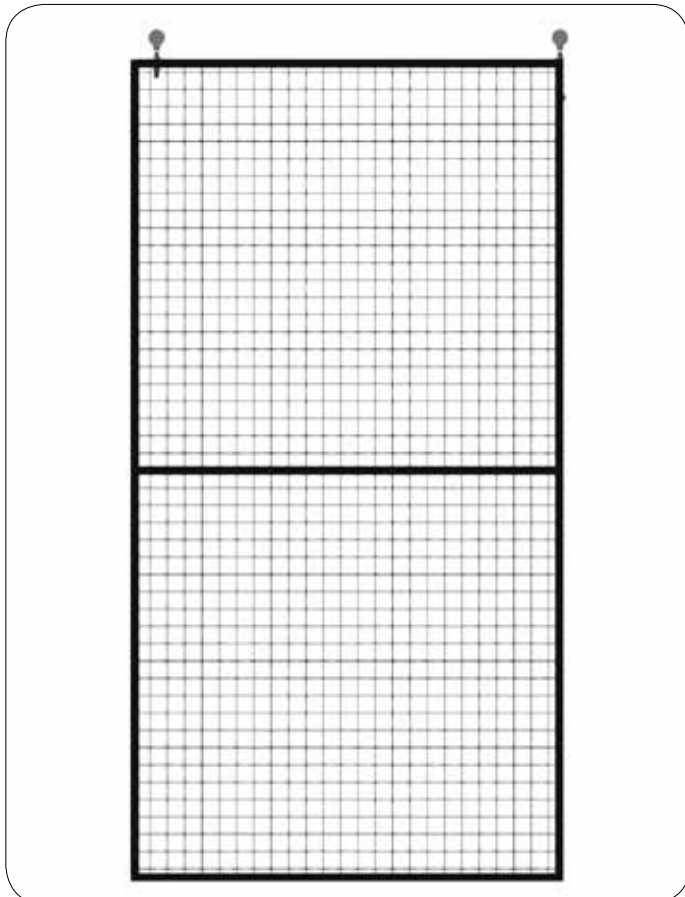
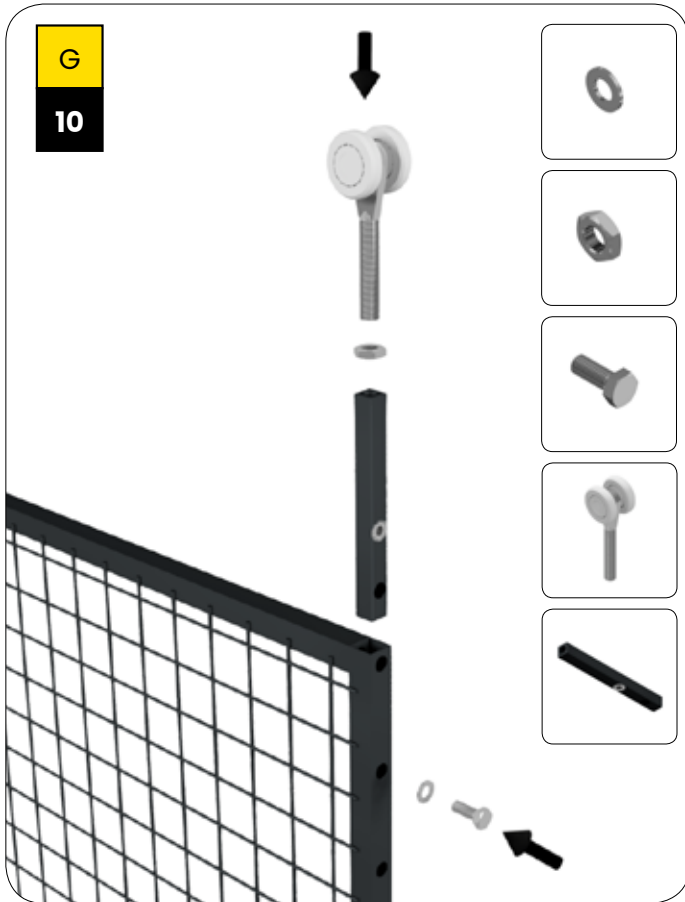


**ASSEMBLY PHASE 6.**

V	X	D	X	.	S	S	<b>I</b>	<b>B</b>	<b>G</b>	X	X	X	.	X	X	X	X	X	X
1	2	3	4	5	6	7	8	9	10	11	12	13	14	15	16	17	18	19	20

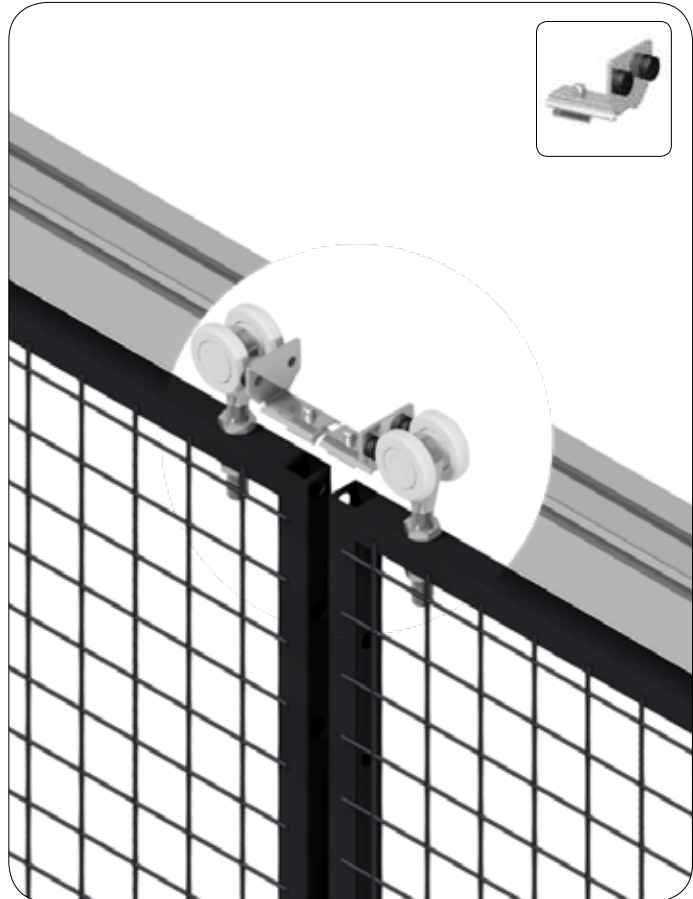
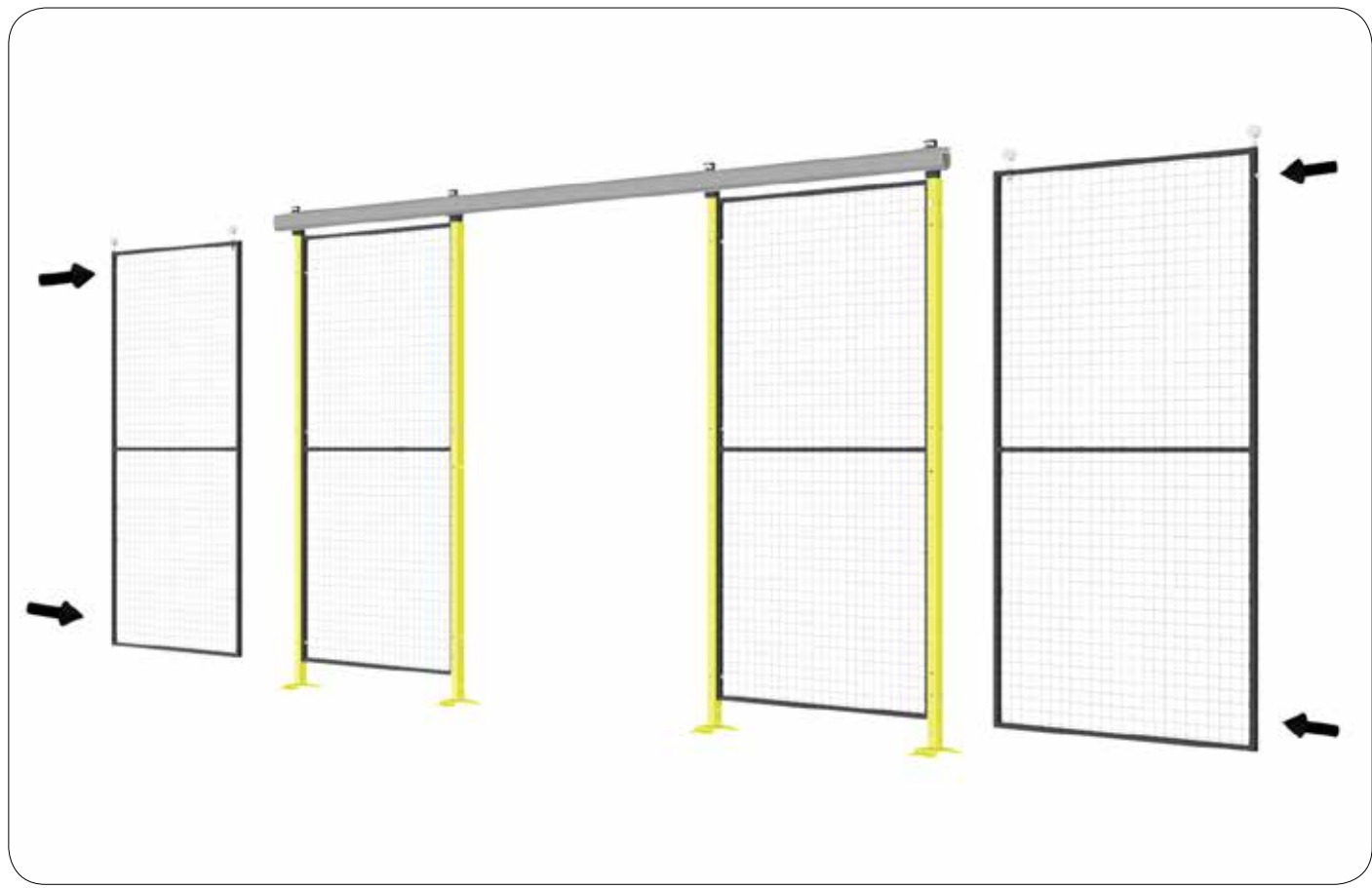


V	X	D	X	.	S	S	<b>1</b>	<b>B</b>	<b>G</b>	X	X	X	.	X	X	X	X	X	X
1	2	3	4	5	6	7	8	9	10	11	12	13	14	15	16	17	18	19	20



**ASSEMBLY PHASE 6.**

V	X	D	X	.	S	S	<b>1</b>	<b>B</b>	X	X	X	X	.	X	X	X	X	X	X	X
1	2	3	4	5	6	7	<b>8</b>	<b>9</b>	10	11	12	13	14	15	16	17	18	19	20	





V	X	D	X	.	S	S	<b>1</b>	<b>B</b>	X	<b>X</b>	X	X	.	X	X	X	X	X	X
1	2	3	4	5	6	7	<b>8</b>	<b>9</b>	10	<b>11</b>	12	13	14	15	16	17	18	19	20

**ASSEMBLY PHASE 8.**



V	X	D	X	.	S	S	1	B	X	X	X	X	.	X	X	X	X	X	X
1	2	3	4	5	6	7	8	9	10	11	12	13	14	15	16	17	18	19	20





V	X	D	X	.	S	S	<b>1</b>	<b>B</b>	X	<b>X</b>	X	X	.	X	X	X	X	X	X
1	2	3	4	5	6	7	<b>8</b>	<b>9</b>	10	<b>11</b>	12	13	14	15	16	17	18	19	20

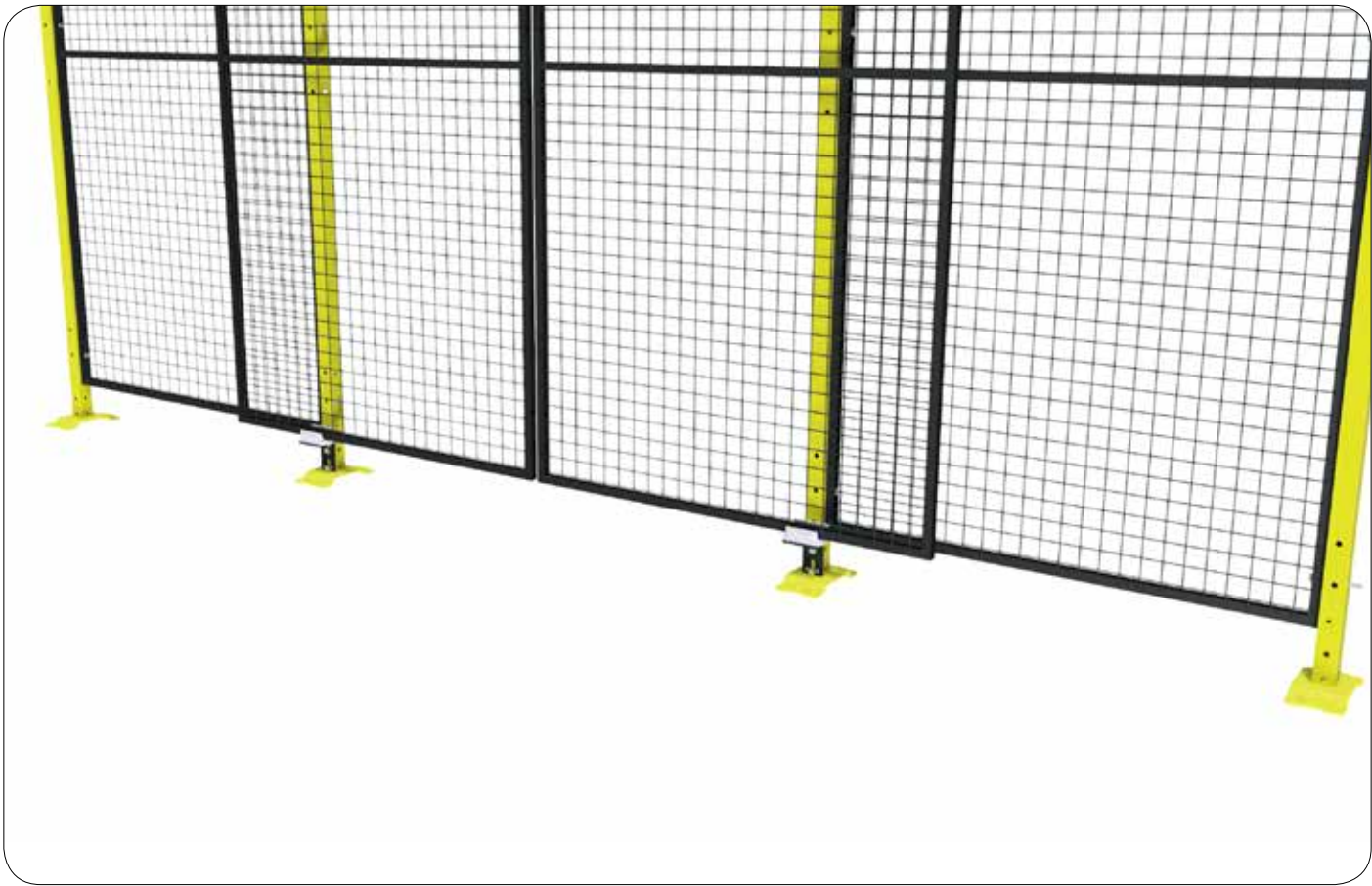
**ASSEMBLY PHASE 8.**



V	X	D	X	.	S	S	1	B	X	X	X	X	.	X	X	X	X	X	X
1	2	3	4	5	6	7	8	9	10	11	12	13	14	15	16	17	18	19	20

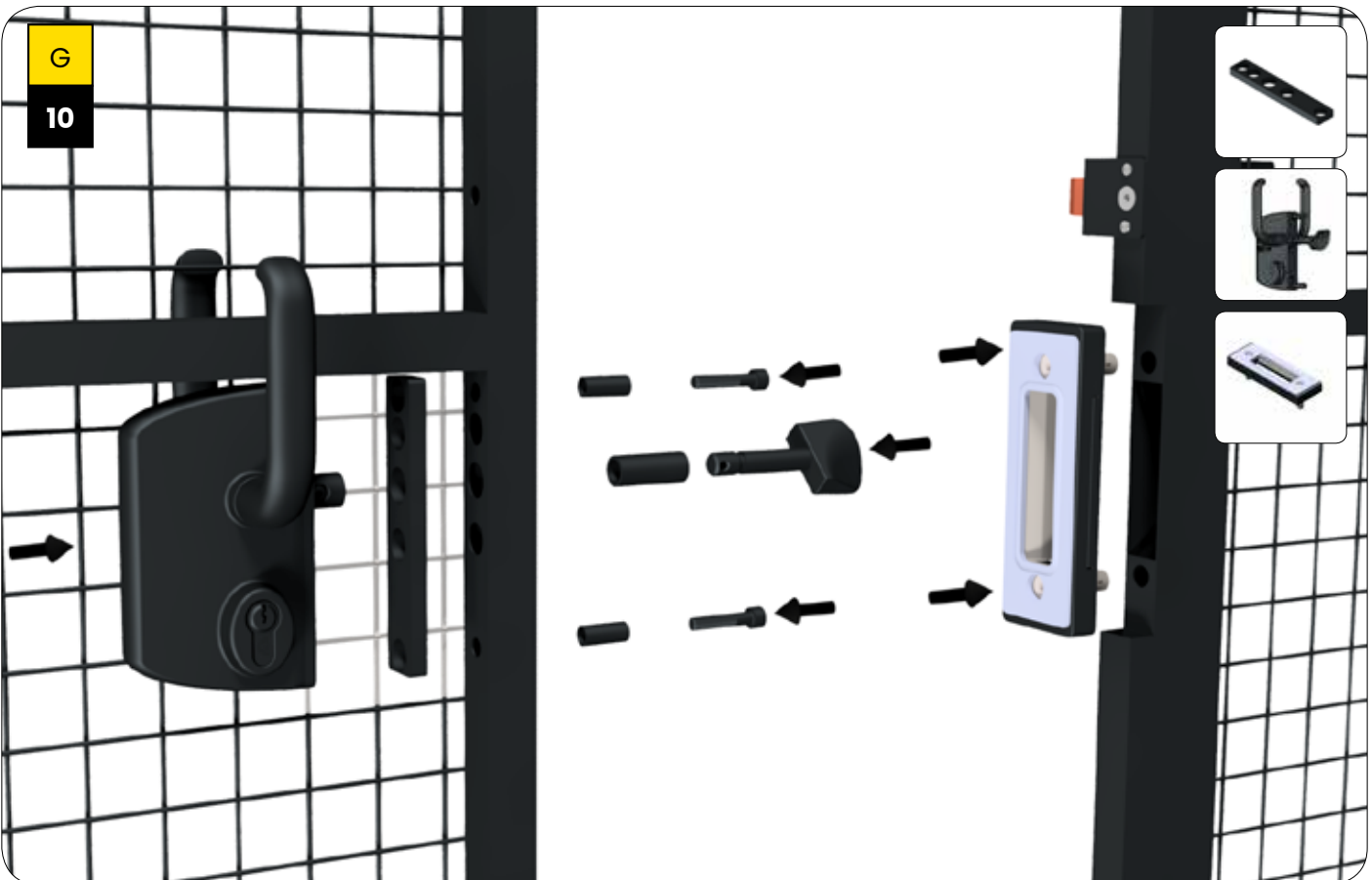
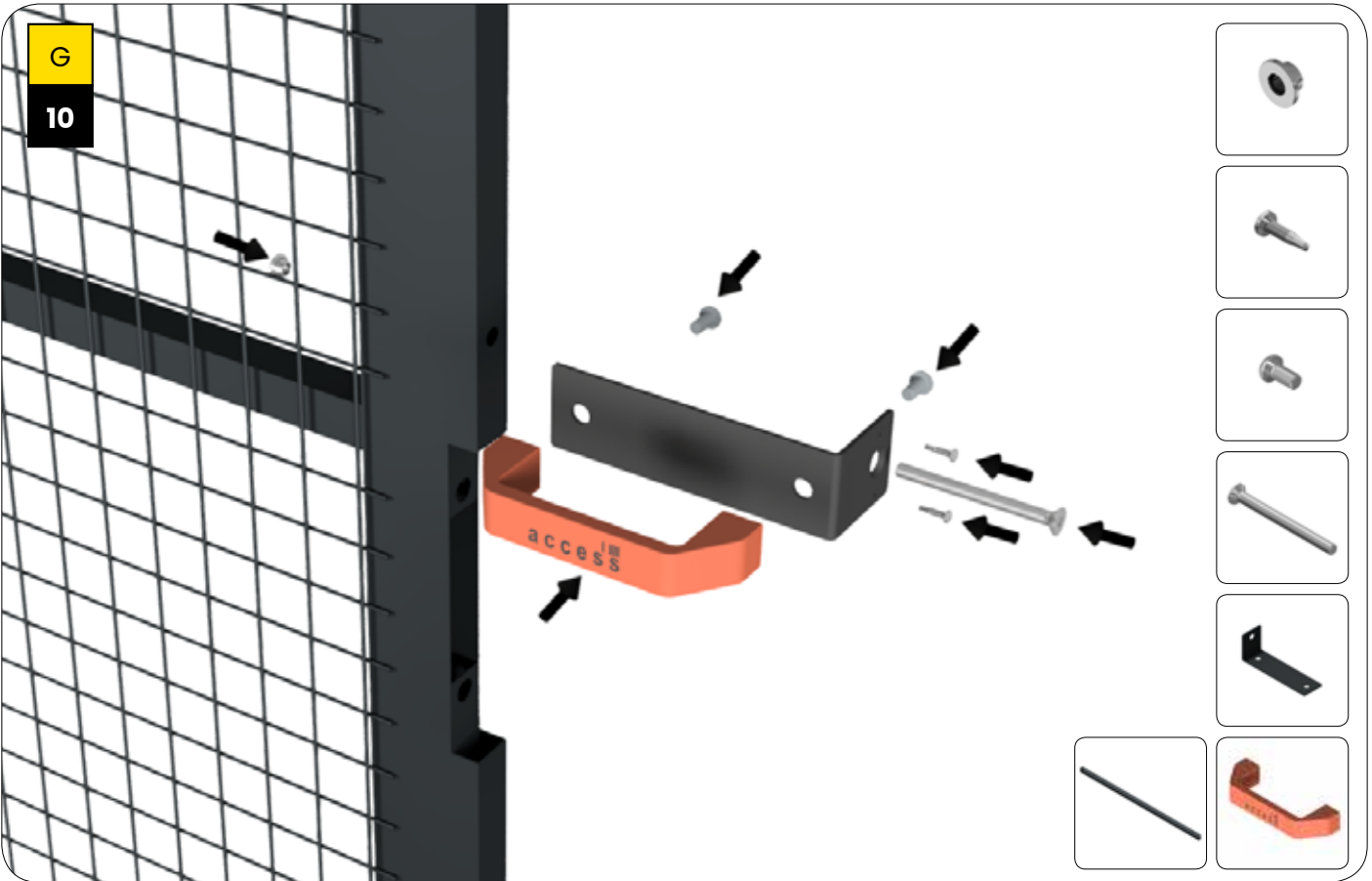


V	X	D	X	.	S	S	<b>1</b>	<b>B</b>	X	X	X	X	.	X	X	X	X	X	X
1	2	3	4	5	6	7	<b>8</b>	<b>9</b>	10	11	12	13	14	15	16	17	18	19	20



**ASSEMBLY PHASE 8.**

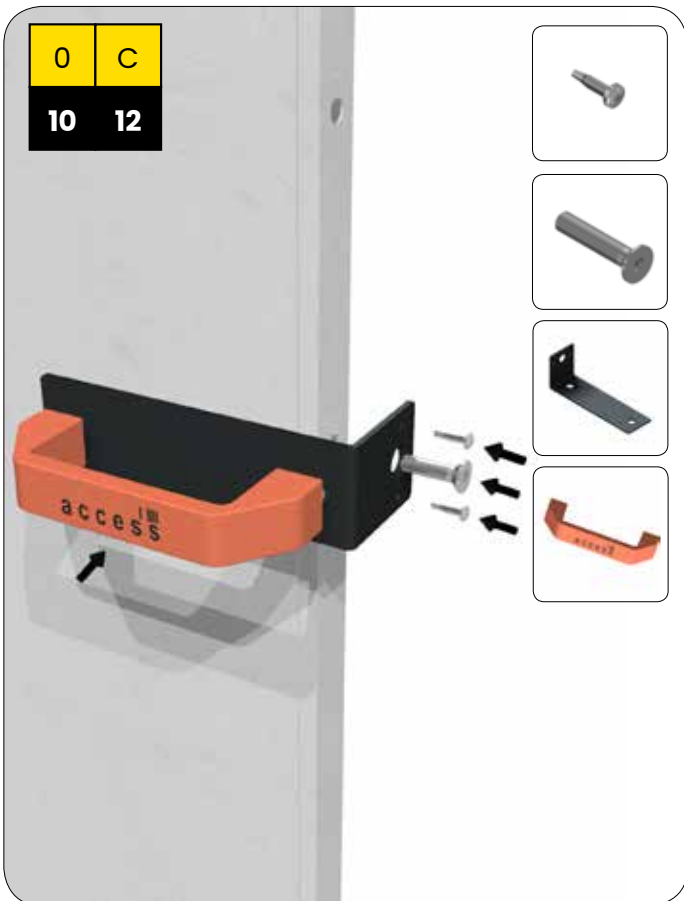
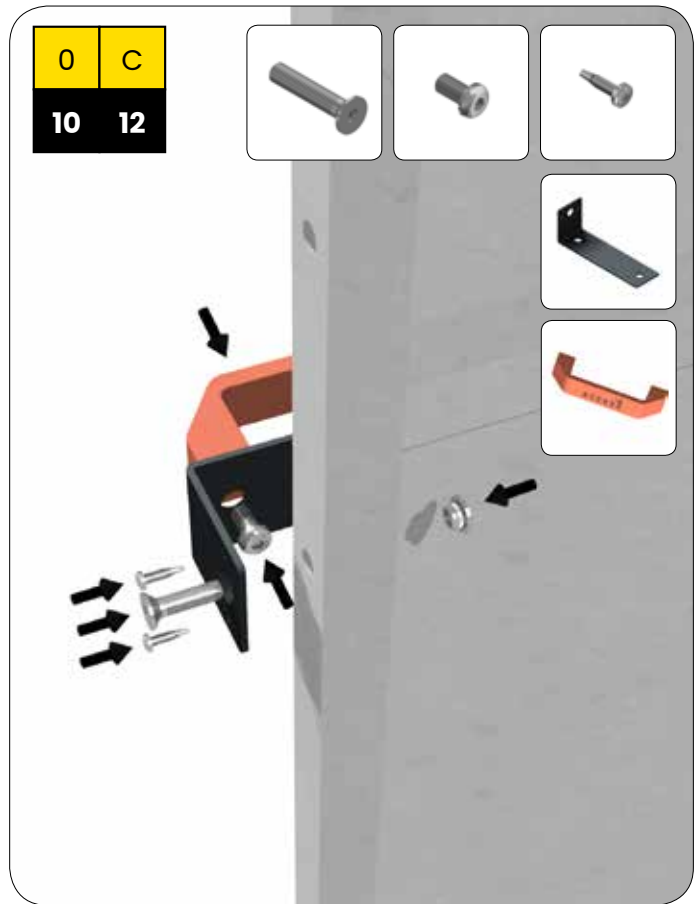
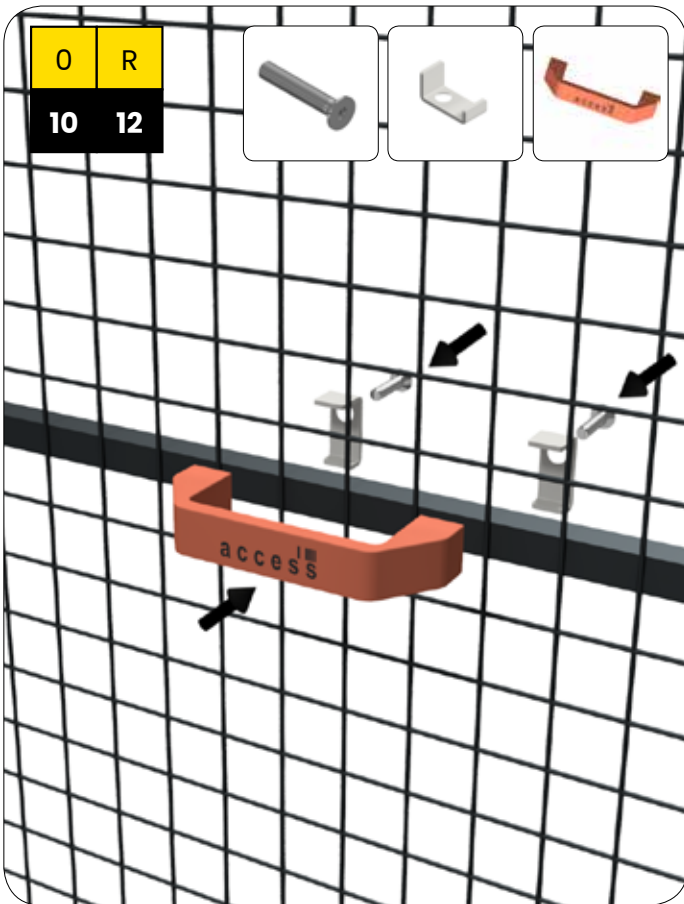
V	X	D	X	.	S	S	<b>I</b>	<b>B</b>	<b>G</b>	X	X	X	.	X	X	X	X	X	X
1	2	3	4	5	6	7	8	9	10	11	12	13	14	15	16	17	18	19	20





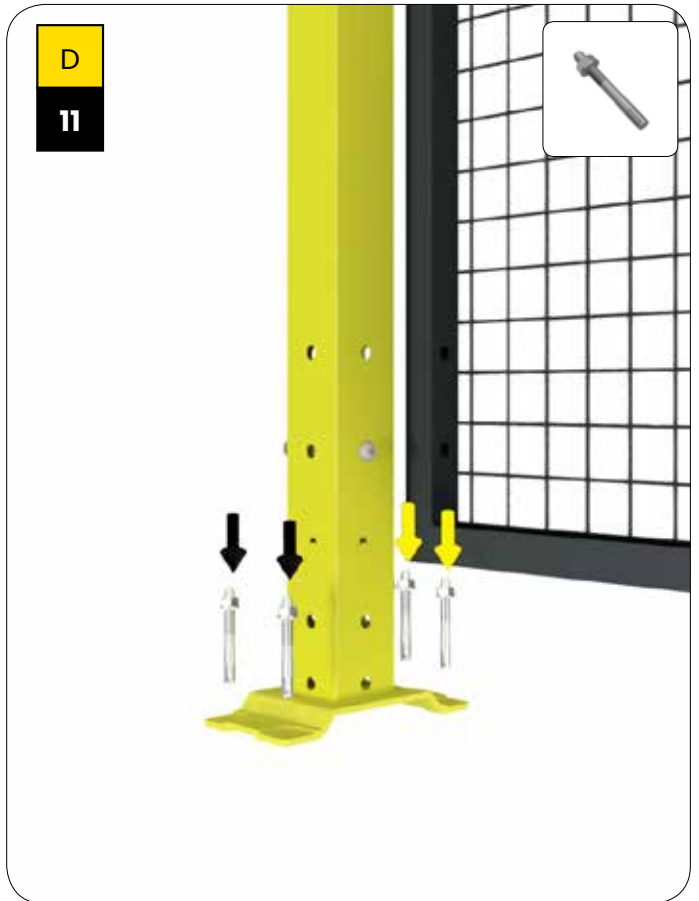
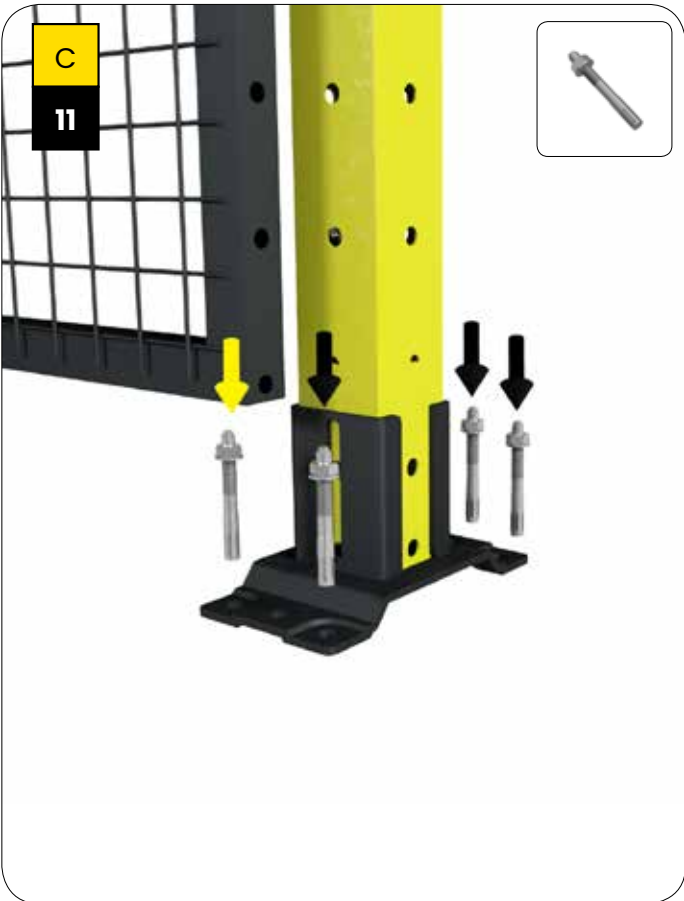
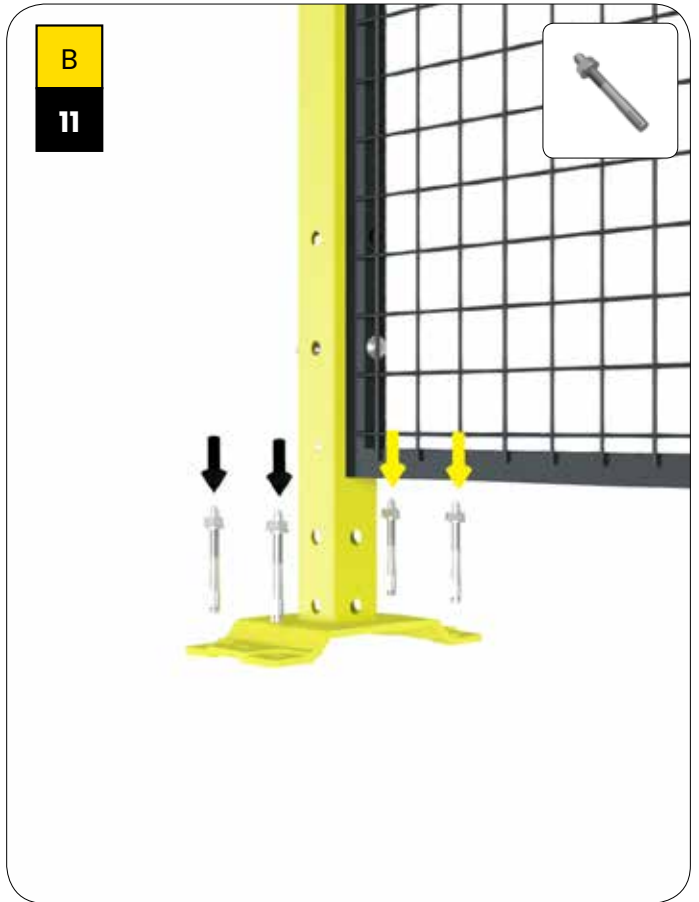


V	X	D	X	.	S	S	1	B	0	X	X	X	.	X	X	X	X	X	X
1	2	3	4	5	6	7	8	9	10	11	12	13	14	15	16	17	18	19	20



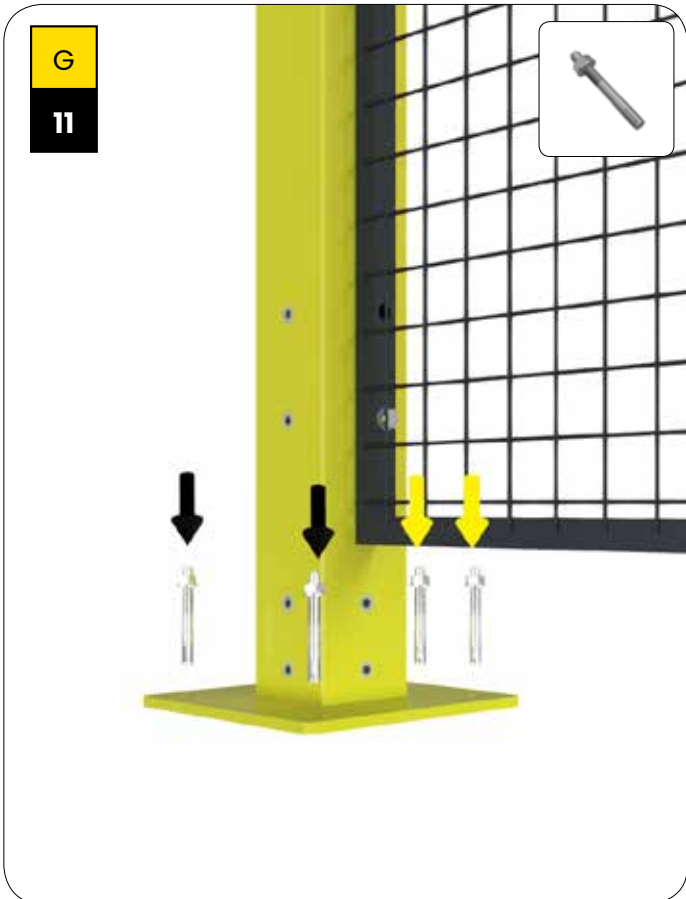
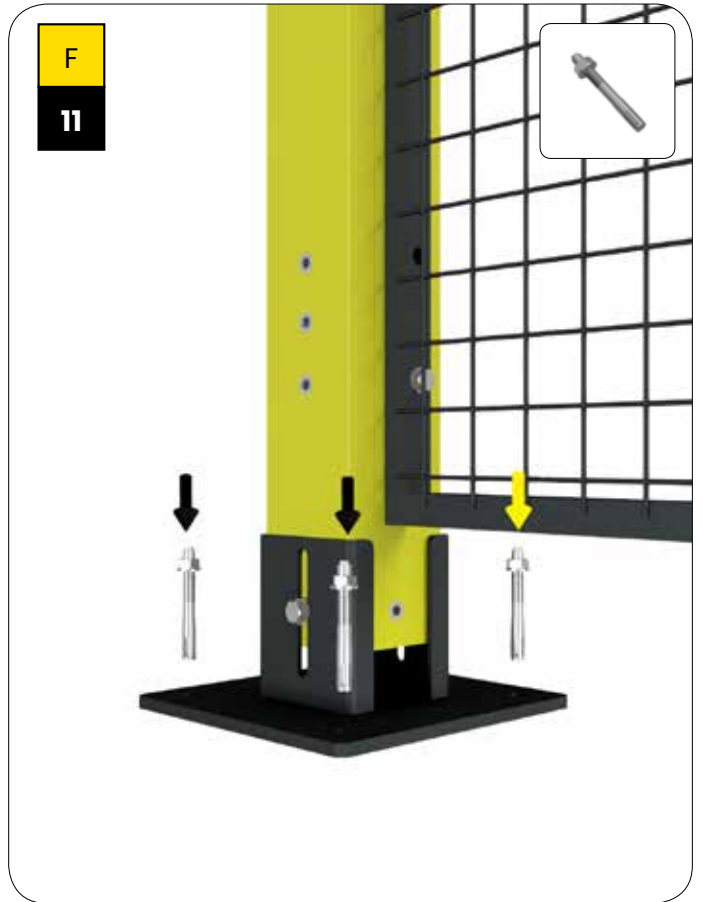
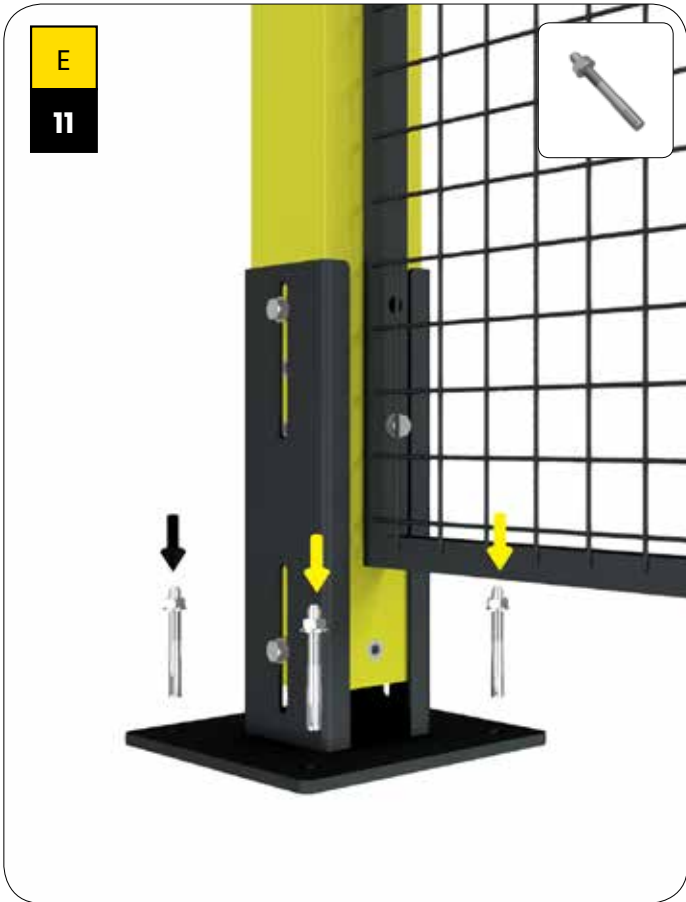
V	X	D	X	.	S	S	1	X	X	X	X	.	X	X	X	X	X	X	X
1	2	3	4	5	6	7	8	9	10	11	12	13	14	15	16	17	18	19	20

**ASSEMBLY PHASE 10.**





V	X	D	X	.	S	S	l	X	X	X	X	.	X	X	X	X	X	X	
1	2	3	4	5	6	7	8	9	10	11	12	13	14	15	16	17	18	19	20











LEGAL HEAD OFFICE AND PRODUCTION  
Via Provinciale 56, n. 56  
23878 Verderio (LC)

HEAD OFFICE  
via San Francesco d'Assisi, n. 16  
23899 Robbiate (Lc)

Tel. +39 039 9515951  
Fax +39 039 513257  
[info@accessafe.eu](mailto:info@accessafe.eu)  
[www.accessafe.eu](http://www.accessafe.eu)