

ACCESSORIES FOR FRAMELESS SYSTEMS

Over the years Access has designed a range of accessories able to solve problems which may occur during assembly or to complete the fencing systems with sensors and support support components.

01. MODULA UNIVERSAL FIXING KIT

This accessory is fitted with a captive screw to fix the panel to Modula posts. It is composed by a couple of plates.

COMPATIBILITY

Frameless protection systems

02. MODULA $\neq 90^\circ$ FIXING KIT FOR 2028mm POSTS

This accessory is made of 4 plates which are used to fix the panel to the Modula post by means of a captive screw. This kit is used when there are angles $\neq 90^\circ$ and 2028 mm high posts.

COMPATIBILITY

Frameless protection systems

03. MODULA $\neq 90^\circ$ FIXING KIT FOR 2493mm POSTS

This accessory is made of 5 plates which are used to fix the panel to the Modula post by means of a captive screw. This kit is used when there are angles $\neq 90^\circ$ and 2028 mm high posts.

COMPATIBILITY

Frameless protection systems

04. MODULA MESH CONNECTION KIT

This accessory is used to connect panels.

COMPATIBILITY

Frameless protection systems

05. MODULA MESH TO WALL CONNECTION KIT

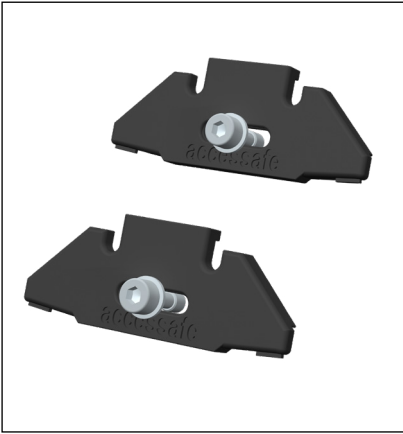
This accessory is used to connect panels to the wall.

COMPATIBILITY

Frameless protection systems

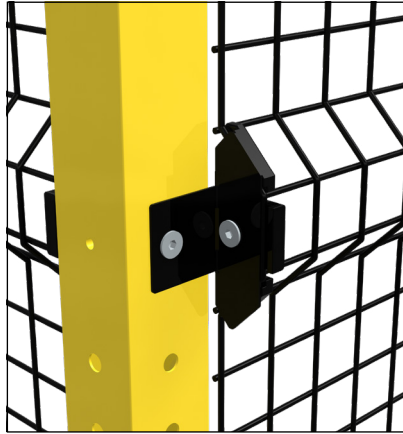
01

**MODULA UNIVERSAL
FIXING KIT**



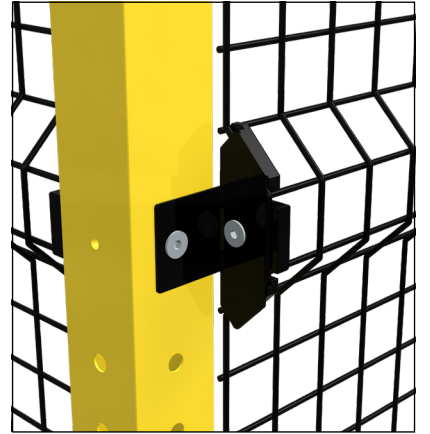
02

**MODULA ≠ 90° FIXING KIT
FOR 2028mm POSTS**



03

**MODULA ≠ 90° FIXING KIT
FOR 2493mm POSTS**



04

**MODULA MESH
CONNECTION KIT**



05

**MODULA MESH TO WALL
CONNECTION KIT**

