

# UNIVERSAL ACCESSORIES

Over the years Access has designed a range of accessories able to solve problems which may occur during assembly or to complete the fencing systems with sensors and support components.

## 01. GASKETS

This accessory is used to cover mesh spikes which may occur when mesh is cut during assembly.

### COMPATIBILITY

Framed and frameless guarding systems

## 02. BRACING

This accessory is used to guarantee stability and it is fitted to posts which carry heavy loads due to movable doors or posts which are positioned in difficult areas.

### COMPATIBILITY

Framed and frameless guarding systems

## 03. ACCESSORIES FOR POST FIXING

This accessory is used to fit posts on irregular floors. This accessory is also used to fix posts on grids (max grid thickness 60 mm).

### COMPATIBILITY

Framed and frameless guarding systems

## 04. CABLE TROUGH

This accessory is used to install cable troughs on Meta, Viteria or Modula posts.

### COMPATIBILITY

Framed and frameless guarding systems

## 05. FLOOR RAILS

This accessory is complete with a floor rail and rollers for sliding doors.

### COMPATIBILITY

Framed and frameless guarding systems

## 06. ROLLERS

This accessory is used to improve door opening. There are two types of kits: pivoting roller kit, free moving roller which rotates around vertical axle, or sliding roller kit, the roller moves on rails.

### COMPATIBILITY

Framed and frameless guarding systems

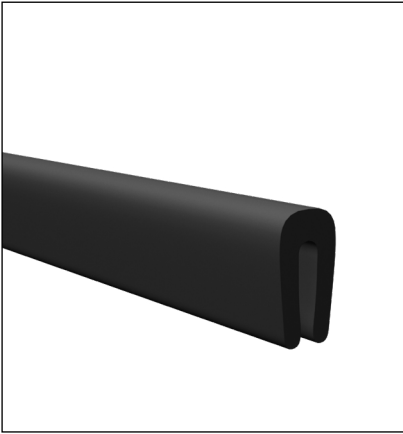
## 07. HANDLES

Optional accessory for doors.

### COMPATIBILITY

Framed and frameless guarding systems

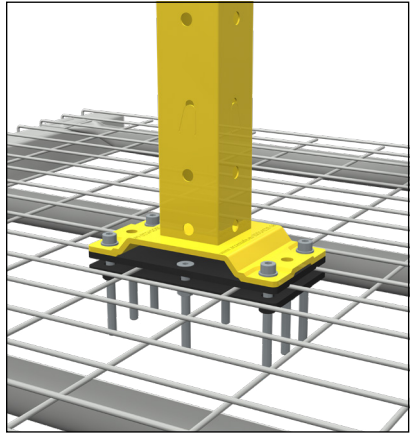
**01** GASKETS



**02** BRACING



**03** ACCESSORIES FOR POST FIXING



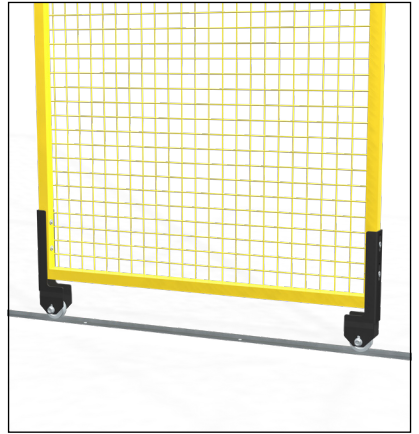
**04** CABLE TROUGH



**05** ROLLERS



**06** FLOOR RAIL



**07** HANDLES

